

Chipsmall Limited consists of a professional team with an average of over 10 year of expertise in the distribution of electronic components. Based in Hongkong, we have already established firm and mutual-benefit business relationships with customers from,Europe,America and south Asia,supplying obsolete and hard-to-find components to meet their specific needs.

With the principle of “Quality Parts,Customers Priority,Honest Operation,and Considerate Service”,our business mainly focus on the distribution of electronic components. Line cards we deal with include Microchip,ALPS,ROHM,Xilinx,Pulse,ON,Everlight and Freescale. Main products comprise IC,Modules,Potentiometer,IC Socket,Relay,Connector.Our parts cover such applications as commercial,industrial, and automotives areas.

We are looking forward to setting up business relationship with you and hope to provide you with the best service and solution. Let us make a better world for our industry!



## Contact us

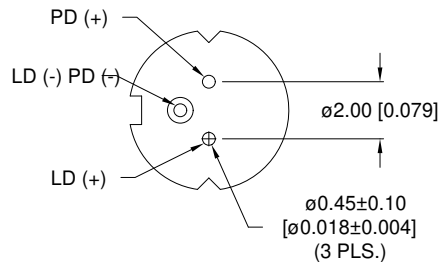
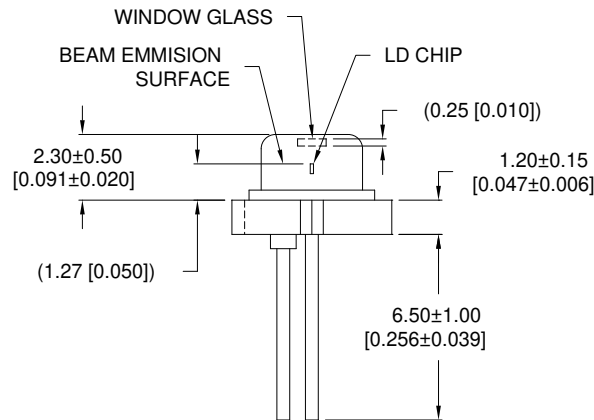
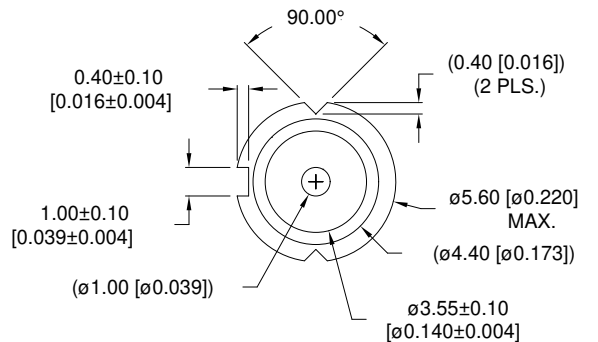
Tel: +86-755-8981 8866 Fax: +86-755-8427 6832

Email & Skype: [info@chipsmall.com](mailto:info@chipsmall.com) Web: [www.chipsmall.com](http://www.chipsmall.com)

Address: A1208, Overseas Decoration Building, #122 Zhenhua RD., Futian, Shenzhen, China

**UNCONTROLLED DOCUMENT**

PART NUMBER		REV.
OED-LD65001E		
REV.	E.C.N. NUMBER AND REVISION COMMENTS	DATE



ELECTRO-OPTICAL CHARACTERISTICS (Tc=25°C)

PARAMETER	SYMBOL	MIN	TYP	MAX	TEST COND	UNITS
LASING WAVELENGTH	$\lambda$		650	660	Po=5mW	nm
THRESHOLD CURRENT	I <sub>th</sub>		18	25	CW	mA
OPERATING CURRENT	I <sub>op</sub>		25	35	Po=5mW	mA
OPERATING VOLTAGE	V <sub>op</sub>	2.0	2.1	2.5	Po=5mW	V
MONITORING CURRENT	I <sub>m</sub>	0.05	0.1	0.5	Po=5mW	mA
ASTIGMATISM	A <sub>s</sub>	3	5	8		$\mu$ m
BEAM DIVERGENCE:	$\theta_{//}$		9		Po=5mW,	deg.
	$\theta_{\perp}$		33		FWHM	deg.

ABSOLUTE MAXIMUM RATINGS (Tc=25°C)

PARAMETER	SYMBOL	MAX	UNITS
OPTICAL POWER	Po	5	mW
LD REVERSE VOLTAGE	V <sub>R(LD)</sub>	2	V
PD REVERSE VOLTAGE	V <sub>R(PD)</sub>	30	V
OPERATING TEMP.	T <sub>op</sub>	10 TO + 70	°C
STORAGE TEMP.	T <sub>stg</sub>	40 TO + 85	°C

**UNCONTROLLED DOCUMENT**

\*UNLESS OTHERWISE SPECIFIED TOLERANCE IS ±0.25mm (±0.010")

REV.	PART NUMBER
	OED-LD65001E

**CONFIDENTIAL INFORMATION**  
 THE INFORMATION CONTAINED IN THIS DOCUMENT IS THE PROPERTY OF LUMEX INC. EXCEPT AS SPECIFICALLY AUTHORIZED IN WRITING BY LUMEX INC., THE HOLDER OF THIS DOCUMENT SHALL KEEP ALL INFORMATION CONTAINED HEREIN CONFIDENTIAL AND SHALL PROTECT SAME IN WHOLE OR IN PART FROM DISCLOSURE AND DISSEMINATION TO ALL THIRD PARTIES.



290 E. HELLEN ROAD  
 PALATINE, ILLINOIS 60067  
 PHONE: 1-847-359-2790  
 WEB: HTTP://WWW.LUMEX.COM

650nm LASER DIODE, TO-18 (ø5.6mm) PACKAGE,  
 5mW OUTPUT, DVD USE.

**RELIABILITY NOTE**  
 OUR MANY YEARS OF EXPERIENCE DATA ACCUMULATION INDICATE THAT SOLDER HEAT IS A MAJOR CAUSE OF EARLY AND FUTURE FAILURE. PLEASE PAY ATTENTION TO YOUR SOLDERING PROCESS.

DRAWN BY:	CHECKED BY:	APPROVED BY:	DATE:
DU			2-12-99
			PAGE: 1 OF 1
			SCALE: N/A