



Chipsmall Limited consists of a professional team with an average of over 10 year of expertise in the distribution of electronic components. Based in Hongkong, we have already established firm and mutual-benefit business relationships with customers from,Europe,America and south Asia,supplying obsolete and hard-to-find components to meet their specific needs.

With the principle of "Quality Parts,Customers Priority,Honest Operation,and Considerate Service",our business mainly focus on the distribution of electronic components. Line cards we deal with include Microchip,ALPS,ROHM,Xilinx,Pulse,ON,Everlight and Freescale. Main products comprise IC,Modules,Potentiometer,IC Socket,Relay,Connector.Our parts cover such applications as commercial,industrial, and automotives areas.

We are looking forward to setting up business relationship with you and hope to provide you with the best service and solution. Let us make a better world for our industry!



Contact us

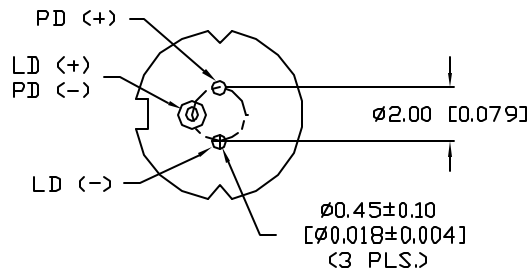
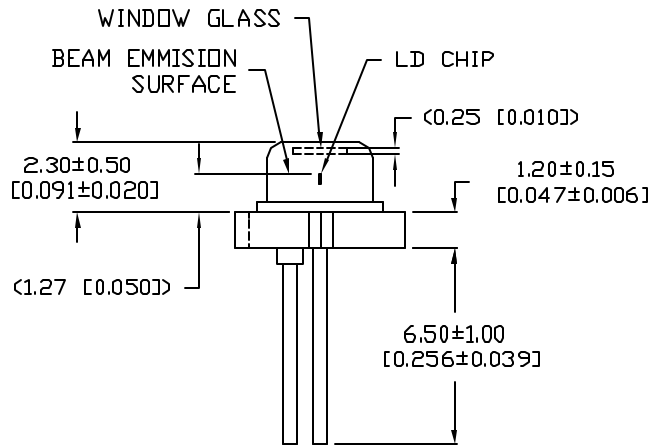
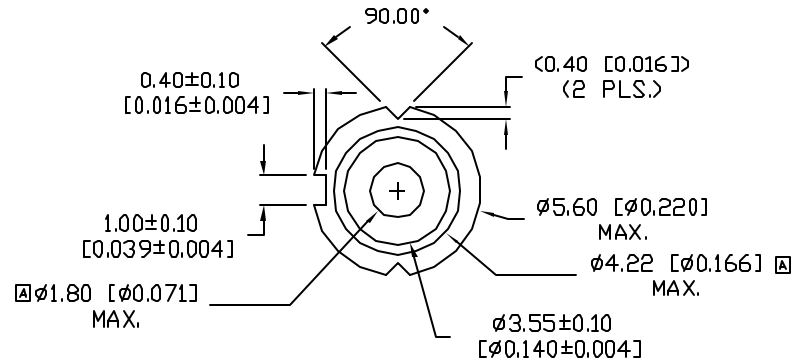
Tel: +86-755-8981 8866 Fax: +86-755-8427 6832

Email & Skype: info@chipsmall.com Web: www.chipsmall.com

Address: A1208, Overseas Decoration Building, #122 Zhenhua RD., Futian, Shenzhen, China



UNCONTROLLED DOCUMENT



PART NUMBER
OED-LDP65001E

REV.
A

REV.	E.C.N. NUMBER AND REVISION COMMENTS	DATE
A	E.C.N. #11375.	12.13.06

ELECTRO-OPTICAL CHARACTERISTICS (Tc=25°C)

PARAMETER	SYMBOL	MIN	TYP	MAX	TEST COND	UNITS
LASING WAVELENGTH	λ		650	660	Po=5mW	nm
THRESHOLD CURRENT	Ith		20	30	CW	mA
OPERATING CURRENT	Iop		28	35	Po=5mW	mA
OPERATING VOLTAGE	Vop	2.0	2.2	2.5	Po=5mW	V
MONITORING CURRENT	I _m	0.1	0.2	0.5	Po=5mW	mA
BEAM DIVERGENCE:	θ		9		Po=5mW,	deg.
	θ_L		35		FWHM	deg.

ABSOLUTE MAXIMUM RATINGS (Tc=25°C)

PARAMETER	SYMBOL	MAX	UNITS
OPTICAL POWER	Po	5	mW
LD REVERSE VOLTAGE	V _{R(LD)}	2	V
PD REVERSE VOLTAGE	V _{R(PD)}	30	V
OPERATING TEMP.	T _{op}	-10 TO +40	°C
STORAGE TEMP.	T _{stg}	-40 TO +85	°C



UNCONTROLLED DOCUMENT

*UNLESS OTHERWISE SPECIFIED TOLERANCE IS ±0.25mm (±0.010")

REV.
A

PART NUMBER
OED-LDP65001E

CONFIDENTIAL INFORMATION
THE INFORMATION CONTAINED IN THIS DOCUMENT IS THE PROPERTY OF LUMEX INC. EXCEPT AS SPECIFICALLY AUTHORIZED IN WRITING BY LUMEX INC., THE HOLDER OF THIS DOCUMENT SHALL KEEP ALL INFORMATION CONTAINED HEREIN CONFIDENTIAL AND SHALL PROTECT SAME IN WHOLE OR IN PART FROM DISCLOSURE AND DISSEMINATION TO ALL THIRD PARTIES.

LUMEX
INCORPORATED

290 E. HELLEN ROAD
PALATINE, ILLINOIS 60067
PHONE: 1-847-359-2790
WEB: HTTP://WWW.LUMEX.COM

650nm LASER DIODE, TO-18 (φ5.6mm) PACKAGE,
5mW OUTPUT.

RELIABILITY NOTE
OUR MANY YEARS OF EXPERIENCE DATA ACCUMULATION INDICATE THAT SOLDER HEAT IS A MAJOR CAUSE OF EARLY AND FUTURE FAILURE. PLEASE PAY ATTENTION TO YOUR SOLDERING PROCESS.

DRAWN BY: JC	CHECKED BY:	APPROVED BY:	DATE: 12.13.06
			PAGE: 1 OF 1
			SCALE: N/A