



Chipsmall Limited consists of a professional team with an average of over 10 year of expertise in the distribution of electronic components. Based in Hongkong, we have already established firm and mutual-benefit business relationships with customers from,Europe,America and south Asia,supplying obsolete and hard-to-find components to meet their specific needs.

With the principle of “Quality Parts,Customers Priority,Honest Operation,and Considerate Service”,our business mainly focus on the distribution of electronic components. Line cards we deal with include Microchip,ALPS,ROHM,Xilinx,Pulse,ON,Everlight and Freescale. Main products comprise IC,Modules,Potentiometer,IC Socket,Relay,Connector.Our parts cover such applications as commercial,industrial, and automotives areas.

We are looking forward to setting up business relationship with you and hope to provide you with the best service and solution. Let us make a better world for our industry!



Contact us

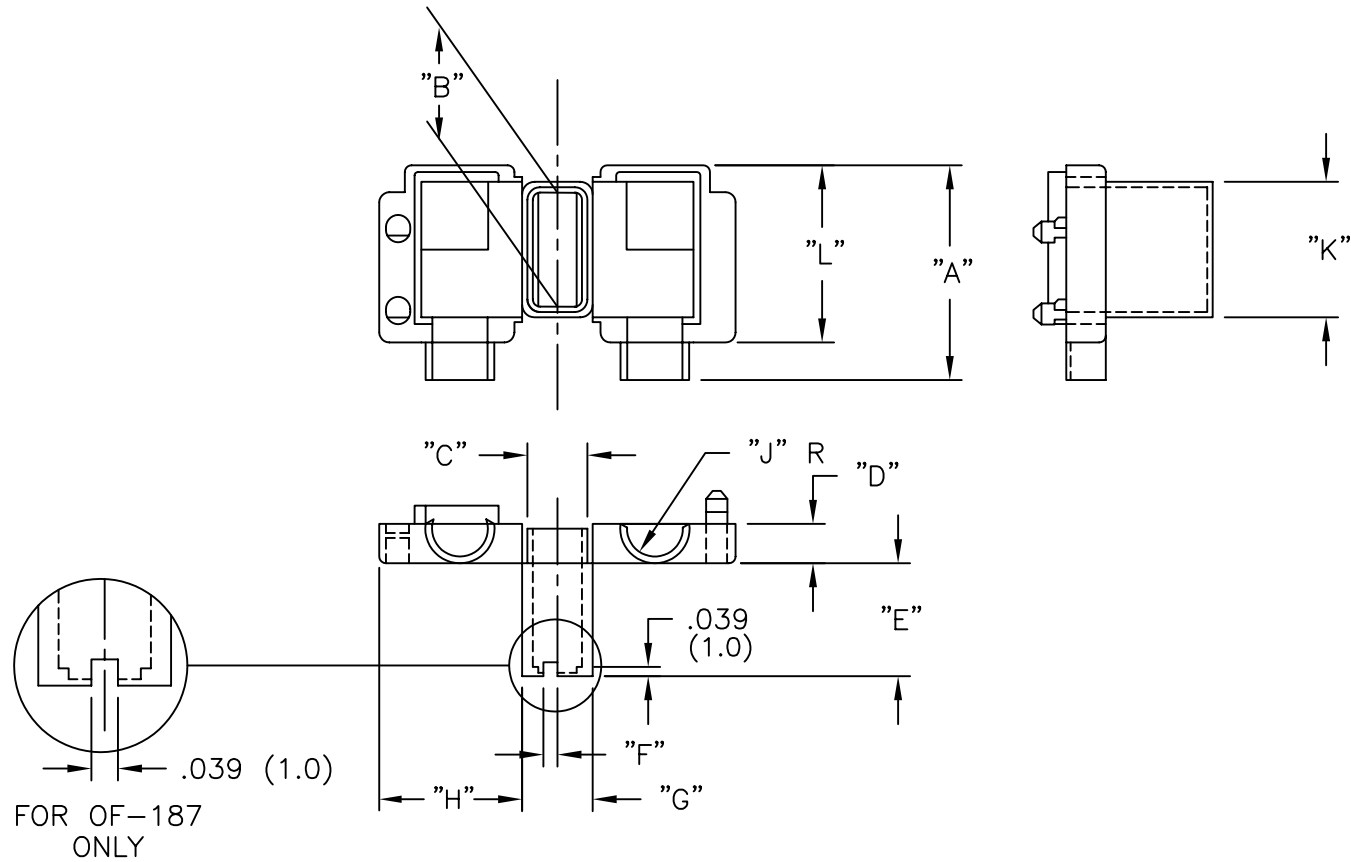
Tel: +86-755-8981 8866 Fax: +86-755-8427 6832

Email & Skype: info@chipsmall.com Web: www.chipsmall.com

Address: A1208, Overseas Decoration Building, #122 Zhenhua RD., Futian, Shenzhen, China



PART NO.	TERMINAL TYPE	WIRE DIA.	"A"	"B"	"C"	"D"	"E"	"F"	"G"	"H"	"J"	"K"	"L"	U.L. CAT. NO.
OF-187	FLAG TYPE 187 SERIES	1/8 (3.2)	.531 (13.5)	.252 (6.4)	.118 (3.0)	.098 (2.5)	.236 (6.0)	.039 (1.0)	.181 (4.6)	.382 (9.7)	.063 (1.6)	.315 (8.0)	.413 (10.5)	61
OF-250	FLAG TYPE 250 SERIES	5/32 (3.8)	.622 (15.8)	.346 (8.8)	.150 (3.8)	.114 (2.9)	.314 (8.0)	.039 (1.0)	.213 (5.4)	.425 (10.8)	.075 (1.9)	.409 (10.4)	.524 (13.3)	60



NOTES:

1. MATERIAL: NYLON 6, RMS-120, UL NO. E53664
2. COLOR: NATURAL.

B	RMS-120 WAS RMS-61; CHANGED FILE NO.	SM 10.25.01
A	RMS-61 WAS RMS-28	PB 102794
REV	DESCRIPTION	ENGR DATE

TITLE: "ONE TOUCH" SLEEVE INSULATOR (OF SERIES)				DWG IN IN (MM)	FINAL	PRINT TYPE
TOLERANCES UNLESS NOTED .XX=±.010 .XXX=±.005 FRAC=±1/64 ANG=±1'	FILE # OF	DWN: P.B.	APP:	PART #		CA
	MAT'L: SEE NOTES	DT: 05-10-94	DT:	SEE TABLE		
	RE: RICHCO, INC.	RICHCO INC. PO BOX 804238, CHICAGO, 60680 (773) 539-4060				