



Chipsmall Limited consists of a professional team with an average of over 10 year of expertise in the distribution of electronic components. Based in Hongkong, we have already established firm and mutual-benefit business relationships with customers from,Europe,America and south Asia,supplying obsolete and hard-to-find components to meet their specific needs.

With the principle of “Quality Parts,Customers Priority,Honest Operation,and Considerate Service”,our business mainly focus on the distribution of electronic components. Line cards we deal with include Microchip,ALPS,ROHM,Xilinx,Pulse,ON,Everlight and Freescale. Main products comprise IC,Modules,Potentiometer,IC Socket,Relay,Connector.Our parts cover such applications as commercial,industrial, and automotives areas.

We are looking forward to setting up business relationship with you and hope to provide you with the best service and solution. Let us make a better world for our industry!



Contact us

Tel: +86-755-8981 8866 Fax: +86-755-8427 6832

Email & Skype: info@chipsmall.com Web: www.chipsmall.com

Address: A1208, Overseas Decoration Building, #122 Zhenhua RD., Futian, Shenzhen, China

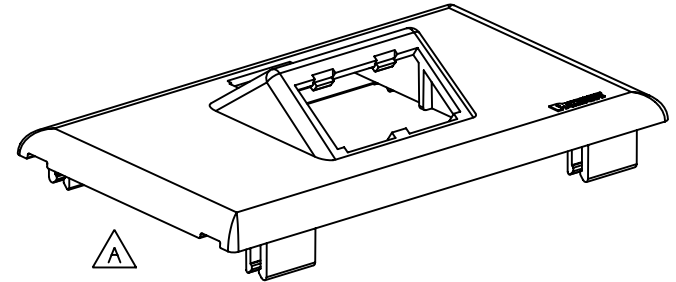
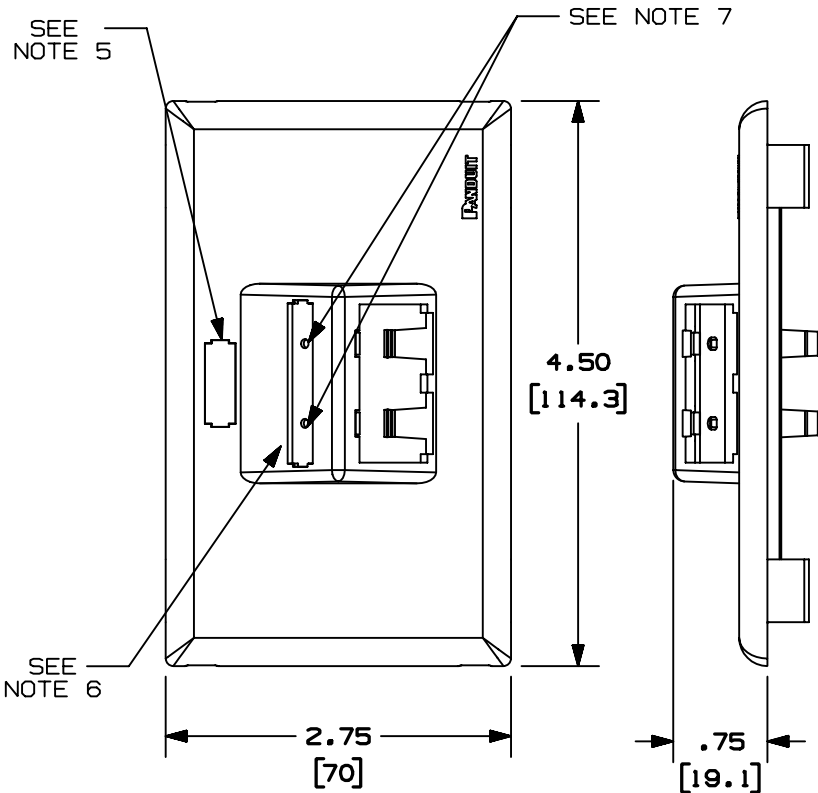


THIS COPY IS PROVIDED ON A RESTRICTED BASIS AND IS NOT TO BE USED IN ANY WAY DETRIMENTAL TO THE INTERESTS OF PANDUIT CORP.

PANDUIT P/N	WEIGHT
UIT70FH2	.07 LB/PC (35g/PC)
OF70FH2	

NOTES:

1. SEE CURRENT CATALOG FOR ADDITIONAL PART SUFFIXES TO INDICATE COLOR AND OR PACKAGE QUANTITY.
2. THE UIT70FH2 ACCEPTS TWO (2) MINI-COM MODULES.
3. DIMENSIONS IN PARENTHESIS ARE IN METRIC.
4. THE UIT70FH2 FACEPLATE CAN BE USED WITH PANDUIT SURFACE RACEWAY SYSTEMS AND BOXES THAT ACCEPT 70mm SNAP-ON FACEPLATES (INCLUDES: T-70, TWIN-70, TE70, TG-70, ETC.)
5. POCKET TO BE USED WITH PANDUIT PART NUMBER UILC1**.
6. POCKET TO BE USED WITH PANDUIT PART NUMBER UILC2**.
7. POCKETS TO BE USED WITH PANDUIT PART NUMBER UICIB**, UICIP**, OR UICID**.
8. THE OF70FH2 CAN BE USED WITH PANDUIT OFFICE FURNITURE DESK MOUNT BOX (OFR20DMB)



CAD FILENAME/LAYERS D38316BB_DC_UIT70FH2_01B.prt

PANDUIT CORP TINLEY PARK, ILLINOIS

ULTIMATE I.D. TWO MINI-COM MODULE
HORIZONTAL SLOPED SNAP-ON FACEPLATE
(UIT70FH2 & OF70FH2)
CUSTOMER DRAWING

UNLESS OTHERWISE SPECIFIED, DIMENSIONAL TOLERANCES ARE:
(.X) ± (.XXX) ±
(.XX) ± .03(.8) ANGLES ±

UNLESS OTHERWISE SPECIFIED, ALL DIMENSIONS ARE GIVEN IN INCHES, THIRD ANGLE PROJECTION.

REV	DATE	BY	CHK	DESCRIPTION	ECN	R	CUST	SUP	GMBH
2	04-25-03	JBN	PM	D. ADDED NOTE 8 C. ADDED PART NUMBER OF70FH2	38316-05	RGRO	RGRO		
1	07-10-02	JHEP	RGRO	B. REVISED NOTE 5 A. REVISED MODEL	38316-05	RGRO			
R	12-06-01	MSO	CEO	RELEASED TO PRODUCTION	38316-05	RGRO			

DRAWN BY MSO	MAT'L: PVC	SCALE NONE
DATE 12-06-01	CHK'D CEO	DRAWING NO. 38316-05
		DWG A SIZE