



Chipsmall Limited consists of a professional team with an average of over 10 year of expertise in the distribution of electronic components. Based in Hongkong, we have already established firm and mutual-benefit business relationships with customers from,Europe,America and south Asia,supplying obsolete and hard-to-find components to meet their specific needs.

With the principle of “Quality Parts,Customers Priority,Honest Operation,and Considerate Service”,our business mainly focus on the distribution of electronic components. Line cards we deal with include Microchip,ALPS,ROHM,Xilinx,Pulse,ON,Everlight and Freescale. Main products comprise IC,Modules,Potentiometer,IC Socket,Relay,Connector.Our parts cover such applications as commercial,industrial, and automotives areas.

We are looking forward to setting up business relationship with you and hope to provide you with the best service and solution. Let us make a better world for our industry!



Contact us

Tel: +86-755-8981 8866 Fax: +86-755-8427 6832

Email & Skype: info@chipsmall.com Web: www.chipsmall.com

Address: A1208, Overseas Decoration Building, #122 Zhenhua RD., Futian, Shenzhen, China

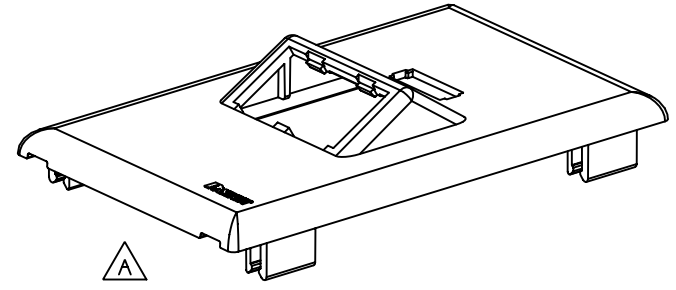
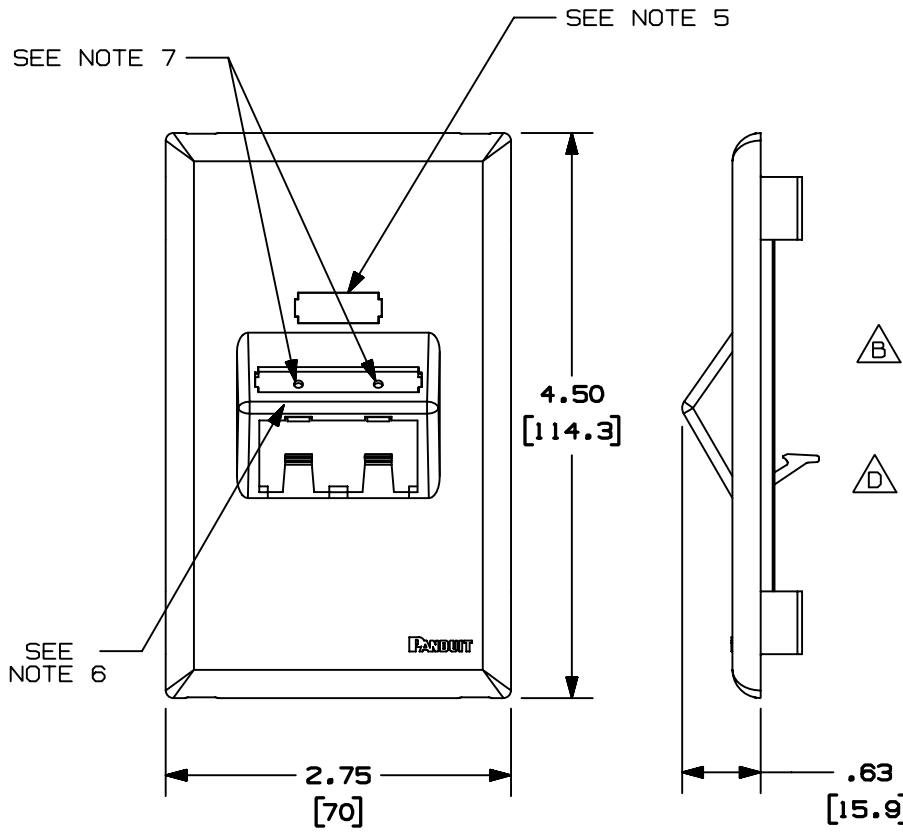


THIS COPY IS PROVIDED ON A RESTRICTED BASIS AND IS NOT TO BE USED IN ANY WAY DETRIMENTAL TO THE INTERESTS OF PANDUIT CORP.

PANDUIT P/N	WEIGHT
UIT70FV2	.07 LB/PC (35g/PC)
OF70FV2	

△
NOTES:

- SEE CURRENT CATALOG FOR ADDITIONAL PART SUFFIXES TO INDICATE COLOR AND OR PACKAGE QUANTITY.
- THE UIT70FV2 ACCEPTS TWO (2) MINI-COM MODULES.
- DIMENSIONS IN PARENTHESIS ARE IN METRIC.
- THE UIT70FV2 FACEPLATE CAN BE USED WITH PANDUIT SURFACE RACEWAY SYSTEMS AND BOXES THAT ACCEPT 70mm SNAP-ON FACEPLATES (INCLUDES: T-70, TWIN-70, TE70, TG-70, ETC.)
- POCKET TO BE USED WITH PANDUIT PART NUMBER UILC1**.
- POCKET TO BE USED WITH PANDUIT PART NUMBER UILC2**.
- POCKETS TO BE USED WITH PANDUIT PART NUMBER UICIB**, UICIP**, OR UICID**.
- THE OF70FV2 FACEPLATE CAN BE USED WITH PANDUIT OFFICE FURNITURE CORNER RACEWAY.



CAD FILENAME/LAYERS		D38316BD_DC_UIT70FV2_01B.prt									
<h1>PANDUIT</h1> CORP TINLEY PARK, ILLINOIS ULTIMATE I.D. TWO MINI-COM MODULE VERTICAL SLOPED SNAP-ON FACEPLATE (UIT70FV2 & OF70FV2) CUSTOMER DRAWING		△ UNLESS OTHERWISE SPECIFIED, DIMENSIONAL TOLERANCES ARE: (.X) ± (.XXX) ± (.XX) ± .03(.8) ANGLES ±									
		UNLESS OTHERWISE SPECIFIED, ALL DIMENSIONS ARE GIVEN IN INCHES, THIRD ANGLE PROJECTION.									
2	04-25-03	JBN	PM	D. ADDED NOTE 8 C. ADDED PART NUMBER OF70FV2	38316-07	RGRO	RGRO	DRAWN BY MSO	MAT'L: PVC	SCALE NONE	
1	07-10-02	JHEP	RGRO	B. REVISED NOTE 5 A. REVISED MODEL	38316-07	RGRO				DATE 12-06-01	DRAWING NO. 38316-07
R	12-06-01	MSO	CEO	RELEASED TO PRODUCTION	38316-07	RGRO		DATE 12-06-01		DWG A	
REV	DATE	BY	CHK	DESCRIPTION	ECN	R	CUST	SUP	GMBH	CHK'D CEO	SIZE