



Chipsmall Limited consists of a professional team with an average of over 10 year of expertise in the distribution of electronic components. Based in Hongkong, we have already established firm and mutual-benefit business relationships with customers from,Europe,America and south Asia,supplying obsolete and hard-to-find components to meet their specific needs.

With the principle of “Quality Parts,Customers Priority,Honest Operation,and Considerate Service”,our business mainly focus on the distribution of electronic components. Line cards we deal with include Microchip,ALPS,ROHM,Xilinx,Pulse,ON,Everlight and Freescale. Main products comprise IC,Modules,Potentiometer,IC Socket,Relay,Connector.Our parts cover such applications as commercial,industrial, and automotives areas.

We are looking forward to setting up business relationship with you and hope to provide you with the best service and solution. Let us make a better world for our industry!



## Contact us

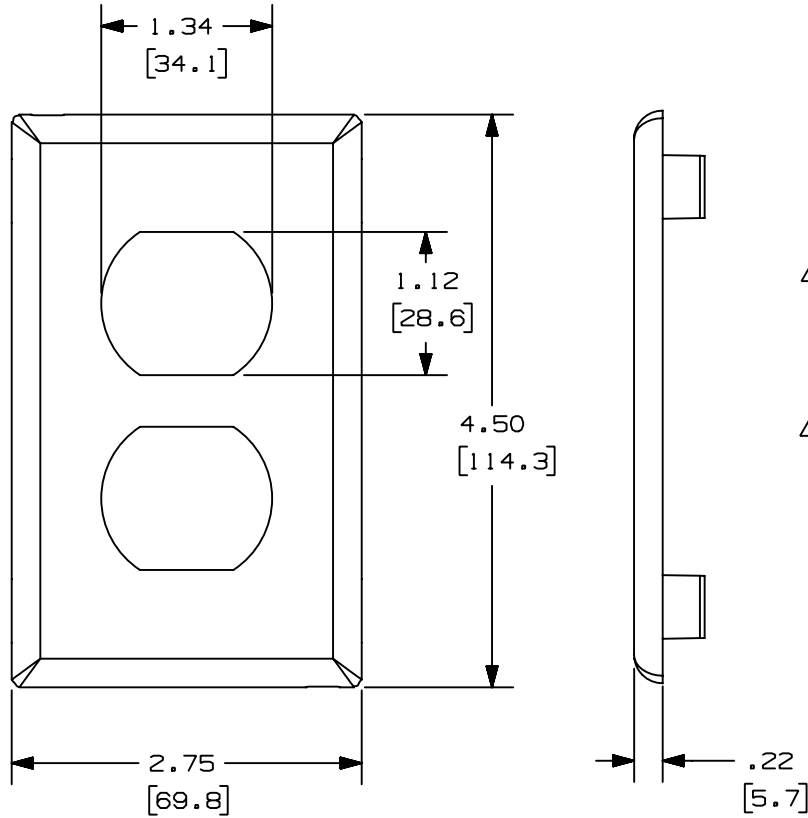
Tel: +86-755-8981 8866 Fax: +86-755-8427 6832

Email & Skype: info@chipsmall.com Web: www.chipsmall.com

Address: A1208, Overseas Decoration Building, #122 Zhenhua RD., Futian, Shenzhen, China



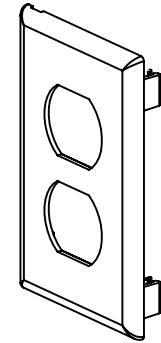
THIS COPY IS PROVIDED ON A RESTRICTED BASIS AND IS NOT TO BE USED IN ANY WAY DETRIMENTAL TO THE INTERESTS OF PANDUIT CORP.



PANDUIT P/N	WEIGHT
T70P	.052 LB (23.7 g)
OF70P	

NOTES:

- SEE CURRENT CATALOG FOR ADDITIONAL PART SUFFIXES TO INDICATE COLOR AND OR PACKAGE QUANTITY.
- THE T70P FACEPLATE CAN BE USED WITH PANDUIT SURFACE RACEWAY SYSTEMS AND BOXES THAT ACCEPT 70mm SNAP-ON FACEPLATES (INCLUDES: T-70, TWIN-70, TE70, TG-70, ETC.)
- THE T70P FACEPLATE FITS NEMA STANDARD DUPLEX RECEPTACLES.
- DIMENSIONS IN PARENTHESES ARE IN METRIC.
- THE OF70P FACEPLATE CAN BE USED WITH PANDUIT OFFICE FURNITURE CORNER RACEWAY (OFCR70) AND DESK MOUNT BOX (OFR20DMB.)



CAD FILENAME/LAYERS D36572B0\_DC\_T70P\_02A.prt

PANDUIT CORP. TINLEY PARK, ILLINOIS  
 T-70 SNAP-ON CLASSIC SERIES  
 "106"/DUPLEX FACEPLATE (T70P & OF70P)  
 CUSTOMER DRAWING

REV	DATE	BY	CHK	DESCRIPTION	ECN	CHK	CUST	SUP
-	-----	---	--	E. REVISED PART WEIGHT: WAS PER 10 PCS	-----	----	----	
3	06-11-04	JBN	PM	D. ADDED NOTE #5 C. ADDED PART NUMBER OF70P	36572-15	RGRO	RGRO	
2	03-13-00	JHNU	HIW	B. REV'D NOTE 2: ADDED TG-70	36572-15	HIW	HIW	
1	06-30-99	DW	HIW	A. REVISED TITLE NAME.	36572-15	HIW	HIW	
R	02-16-98	DW	HIW	RELEASED TO PRODUCTION.	36572-15	HIW	HIW	

UNLESS OTHERWISE SPECIFIED, DIMENSIONAL TOLERANCES ARE: (.X) ± (.XXX) ± (.XX) ±.03(.8) ANGLES ±		UNLESS OTHERWISE SPECIFIED, ALL DIMENSIONS ARE GIVEN IN INCHES, THIRD ANGLE PROJECTION.	
DRAWN BY DW	MAT'L: PVC	SCALE NONE	
DATE 02-16-98	CHECKED BY HIW	DRAWING NO. 36572-15	DWG A SIZE