



Chipsmall Limited consists of a professional team with an average of over 10 year of expertise in the distribution of electronic components. Based in Hongkong, we have already established firm and mutual-benefit business relationships with customers from,Europe,America and south Asia,supplying obsolete and hard-to-find components to meet their specific needs.

With the principle of "Quality Parts,Customers Priority,Honest Operation,and Considerate Service",our business mainly focus on the distribution of electronic components. Line cards we deal with include Microchip,ALPS,ROHM,Xilinx,Pulse,ON,Everlight and Freescale. Main products comprise IC,Modules,Potentiometer,IC Socket,Relay,Connector.Our parts cover such applications as commercial,industrial, and automotives areas.

We are looking forward to setting up business relationship with you and hope to provide you with the best service and solution. Let us make a better world for our industry!



Contact us

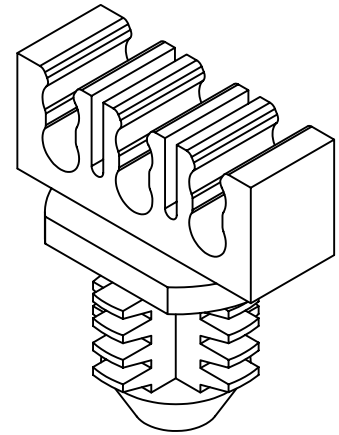
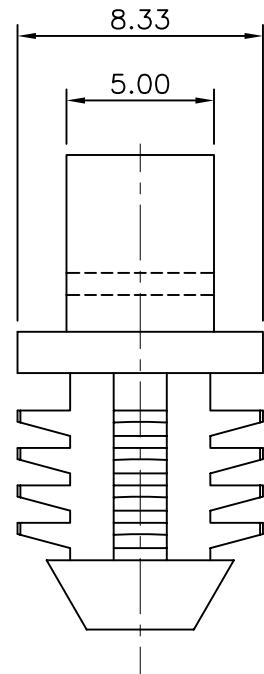
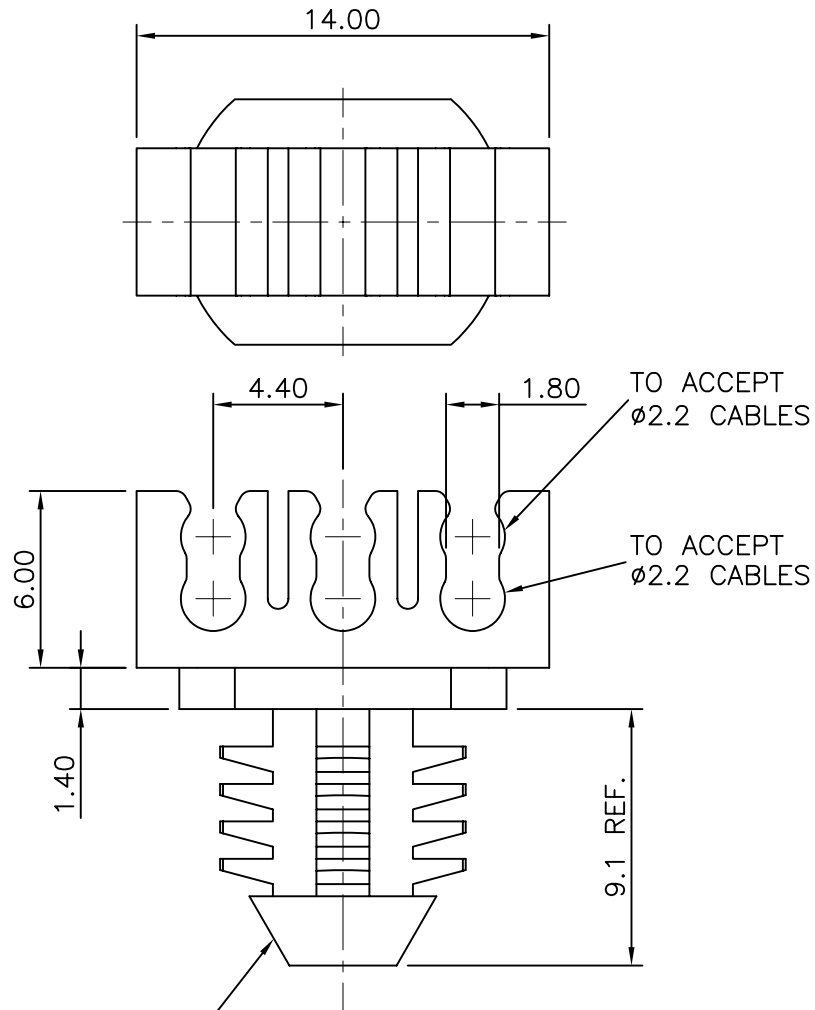
Tel: +86-755-8981 8866 Fax: +86-755-8427 6832

Email & Skype: info@chipsmall.com Web: www.chipsmall.com

Address: A1208, Overseas Decoration Building, #122 Zhenhua RD., Futian, Shenzhen, China



ISSUE No	REVISION	DATE	CHKD
A	NEW DWG	061100	KD
B	SCN2001-028	020401	KD



- NOTES:
- STANDARD PACK QUANTITY: 1000
 - ALL DIMENSIONS IN mm

<p><small>INFORMATION CONTAINED IN THIS DOCUMENT IS CONFIDENTIAL TO RICHCO INTERNATIONAL COMPANY AND MAY NOT BE DISCLOSED OR REPRODUCED IN WHOLE OR PART WITHOUT THEIR WRITTEN CONSENT</small></p> <p>PART DESIGNED IN METRIC / IMPERIAL</p> <p>TOLERANCES -UNLESS OTHERWISE STATED</p> <table border="1"> <tr> <td>1 PLACE</td> <td>±</td> </tr> <tr> <td>2 PLACE</td> <td>± 0.25</td> </tr> </table> <p>ANGLES ± ---°</p>	1 PLACE	±	2 PLACE	± 0.25	DRN RMB	MATERIAL: NYLON 6/6 FR (RMS-19) COLOUR - NATURAL	
	1 PLACE	±					
	2 PLACE	± 0.25					
	CHKD PG	TITLE OPTICAL FIBRE EXPANDABLE BRACKET					
APPD PTG	DESCRIPTION OFB-BH-6-19						
SCALE NTS	DRG No 999-0002	<table border="1"> <tr> <td rowspan="2"> </td> <td>SIZE A4</td> </tr> <tr> <td> <table border="1"> <tr> <td>SHEET No 1 of 1</td> <td>DATE 061100</td> </tr> </table> </td> </tr> </table>		SIZE A4	<table border="1"> <tr> <td>SHEET No 1 of 1</td> <td>DATE 061100</td> </tr> </table>	SHEET No 1 of 1	DATE 061100
	SIZE A4						
	<table border="1"> <tr> <td>SHEET No 1 of 1</td> <td>DATE 061100</td> </tr> </table>	SHEET No 1 of 1	DATE 061100				
SHEET No 1 of 1	DATE 061100						