



Chipsmall Limited consists of a professional team with an average of over 10 year of expertise in the distribution of electronic components. Based in Hongkong, we have already established firm and mutual-benefit business relationships with customers from,Europe,America and south Asia,supplying obsolete and hard-to-find components to meet their specific needs.

With the principle of “Quality Parts,Customers Priority,Honest Operation,and Considerate Service”,our business mainly focus on the distribution of electronic components. Line cards we deal with include Microchip,ALPS,ROHM,Xilinx,Pulse,ON,Everlight and Freescale. Main products comprise IC,Modules,Potentiometer,IC Socket,Relay,Connector.Our parts cover such applications as commercial,industrial, and automotives areas.

We are looking forward to setting up business relationship with you and hope to provide you with the best service and solution. Let us make a better world for our industry!



Contact us

Tel: +86-755-8981 8866 Fax: +86-755-8427 6832

Email & Skype: info@chipsmall.com Web: www.chipsmall.com

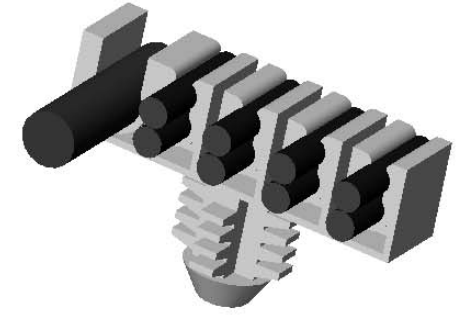
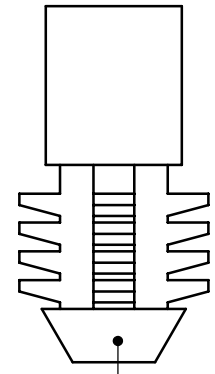
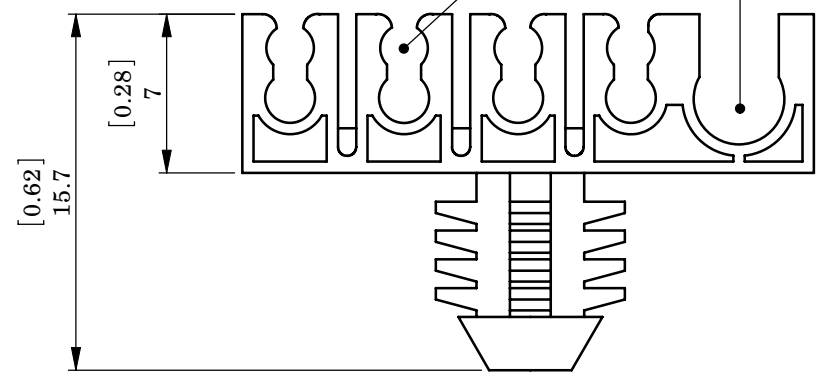
Address: A1208, Overseas Decoration Building, #122 Zhenhua RD., Futian, Shenzhen, China



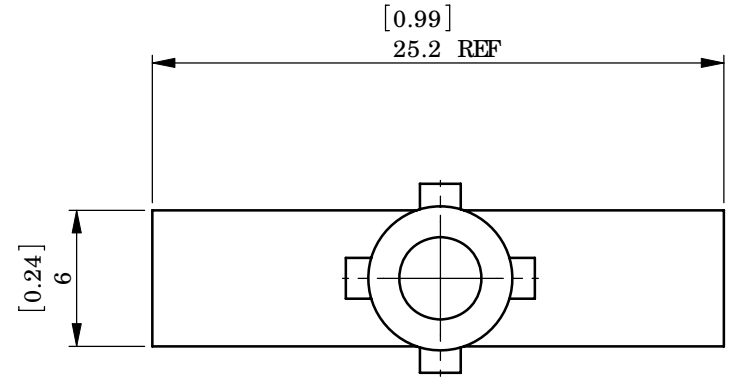
REV.	MODIFICATION.	DATE	DRN
01	PRODUCTION RELEASE	17/01/07	OW
02	ECN2007-205	23/11/07	OW
03	CO2010325	14/08/08	OW
04	CO2010515	16/12/08	SF

TO HOLD A $\varnothing 2.2 \pm 0.1$ [.086 ± .004] CABLE

TO HOLD A $\varnothing 4 \pm 0.1$ [.158 ± .004] CABLE



TO PRESS FIT INTO A $\varnothing 7.92$ [.312] HOLE,
INTO A 6.35 [.250] MIN THICK PANEL



ALTERNATE UNITS FOR REFERENCE ONLY

<i>INFORMATION CONTAINED IN THIS DOCUMENT IS CONFIDENTIAL TO RICHCO INTERNATIONAL Co. Ltd. AND MAY NOT BE DISCLOSED OR REPRODUCED IN WHOLE OR PART WITHOUT THEIR WRITTEN CONSENT.</i>			
		METRIC PRIMARY UNITS: mm IMPERIAL SECONDARY UNITS: [inches] GENERAL TOLERANCES ±0.25 [0.010] UNLESS OTHERWISE STATED 1 DECIMAL PLACE ± 2 DECIMAL PLACES ± ANGULAR ±1°	THIRD ANGLE
MATERIAL: NYLON 6/6 FR UL94 V0 (RMS-19)		COLOR: NATURAL	
DESCRIPTION: OPTICAL FIBRE BRACKET		PART No : O FB-BH-9-19	
DRG No : 07-006	NPR No : 2006-038	Mass:(g) 0.7	SHEET SIZE A4
DRN OW	DATE 27/02/06	CHKD TC	DATE 27/02/06
	SCALE NTS	SHEET No . 1 OF 1	