



Chipsmall Limited consists of a professional team with an average of over 10 year of expertise in the distribution of electronic components. Based in Hongkong, we have already established firm and mutual-benefit business relationships with customers from,Europe,America and south Asia,supplying obsolete and hard-to-find components to meet their specific needs.

With the principle of “Quality Parts,Customers Priority,Honest Operation,and Considerate Service”,our business mainly focus on the distribution of electronic components. Line cards we deal with include Microchip,ALPS,ROHM,Xilinx,Pulse,ON,Everlight and Freescale. Main products comprise IC,Modules,Potentiometer,IC Socket,Relay,Connector.Our parts cover such applications as commercial,industrial, and automotives areas.

We are looking forward to setting up business relationship with you and hope to provide you with the best service and solution. Let us make a better world for our industry!



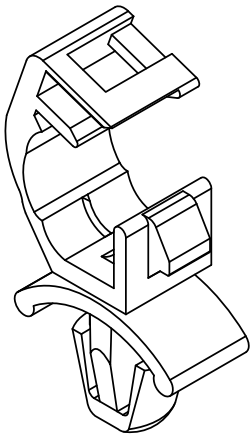
## Contact us

Tel: +86-755-8981 8866 Fax: +86-755-8427 6832

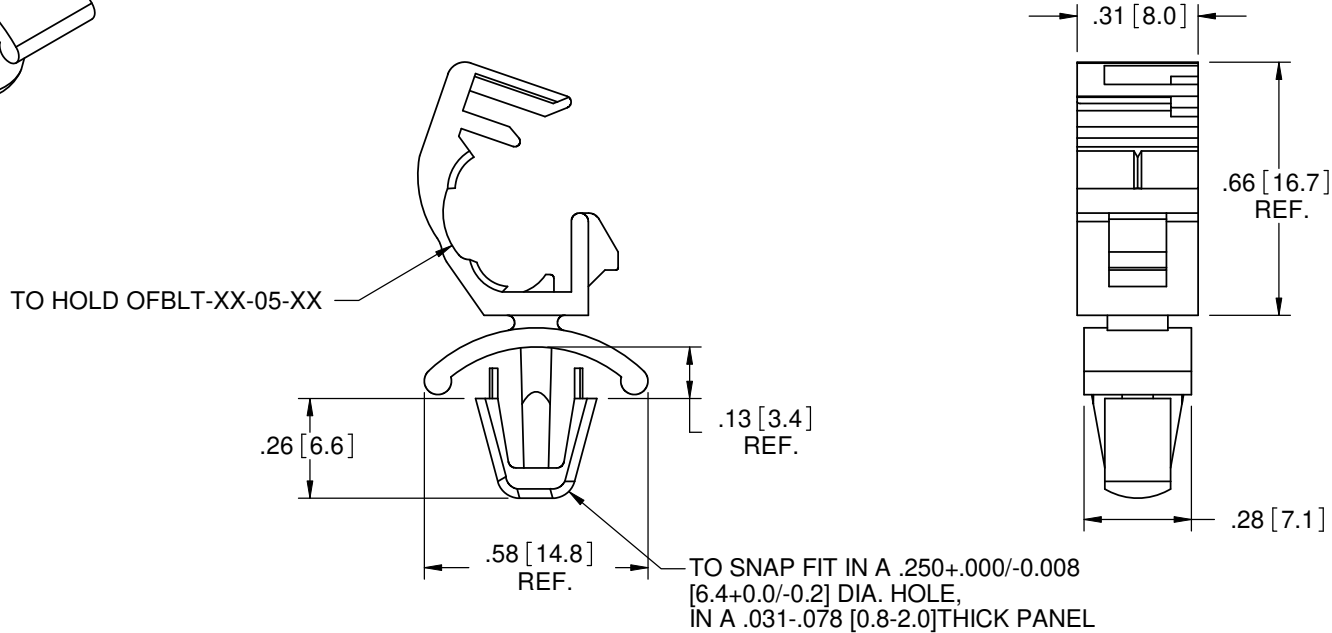
Email & Skype: info@chipsmall.com Web: www.chipsmall.com

Address: A1208, Overseas Decoration Building, #122 Zhenhua RD., Futian, Shenzhen, China





PART NO.	
MATL: NYLON 6/6 (RMS-01), COLOR: NATURAL	MATL: FLAME RET. NYLON 6/6 (RMS-19), COLOR: NATURAL
OFBLT-C1-5-01	OFBLT-C1-5-19



NOTES:  
1. COLOR BLACK AVAILABLE BY SPECIAL ORDER  
TO ORDER ADD "BK" TO END OF PART NO.

TITLE: OPTICAL FIBER BEND LIMITING TUBE CLIP WITH ARROWHEAD FIX						DWG IN IN [MM]	
CREATED USING SOLIDWORKS	FILE #: OFBLT-C1-5	DWN: SM	APP: DJZ	FINAL			
TOLERANCES UNLESS NOTED .XX=±.010 .XXX=±.005 FRAC.=±1/64 ANG.=±1°	SHEET: 1 OF 1	SHEET SIZE: A	DT: 08/28/03	CHKD: SJ	PART #		PRINT TYPE
RE: RICHCO, INC.	RICHCO, INC. ENG@RICHCO-INC.COM (773) 539-4060		SEE TABLE		CA		

B	ADDED COLOR BLACK. SEE CO 200568	SK	08/04/10
A	CREATED FROM RIUK DWG. REV. 1; RELEASED FOR PRODUCTION	SM	09/04/03
REV.	DESCRIPTION	ENGR.	DATE