



Chipsmall Limited consists of a professional team with an average of over 10 year of expertise in the distribution of electronic components. Based in Hongkong, we have already established firm and mutual-benefit business relationships with customers from,Europe,America and south Asia,supplying obsolete and hard-to-find components to meet their specific needs.

With the principle of "Quality Parts,Customers Priority,Honest Operation,and Considerate Service",our business mainly focus on the distribution of electronic components. Line cards we deal with include Microchip,ALPS,ROHM,Xilinx,Pulse,ON,Everlight and Freescale. Main products comprise IC,Modules,Potentiometer,IC Socket,Relay,Connector.Our parts cover such applications as commercial,industrial, and automotives areas.

We are looking forward to setting up business relationship with you and hope to provide you with the best service and solution. Let us make a better world for our industry!



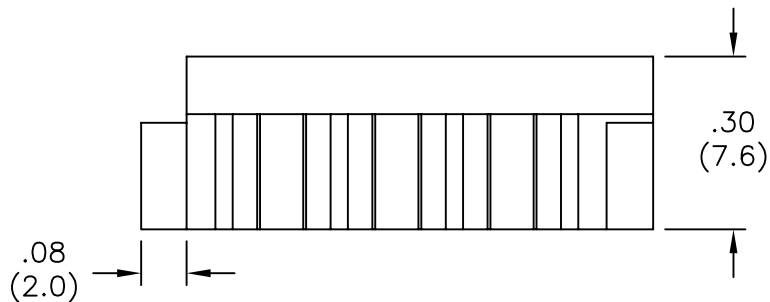
## Contact us

Tel: +86-755-8981 8866 Fax: +86-755-8427 6832

Email & Skype: info@chipsmall.com Web: www.chipsmall.com

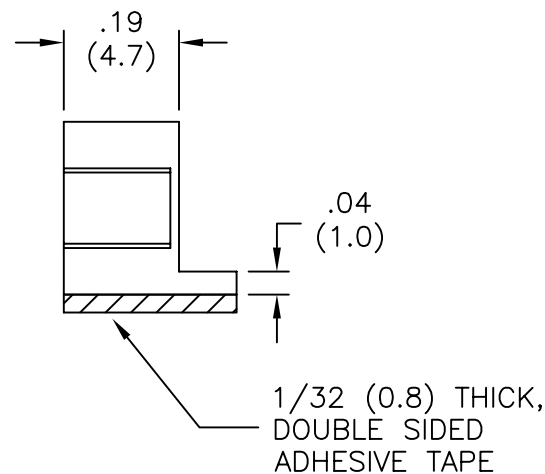
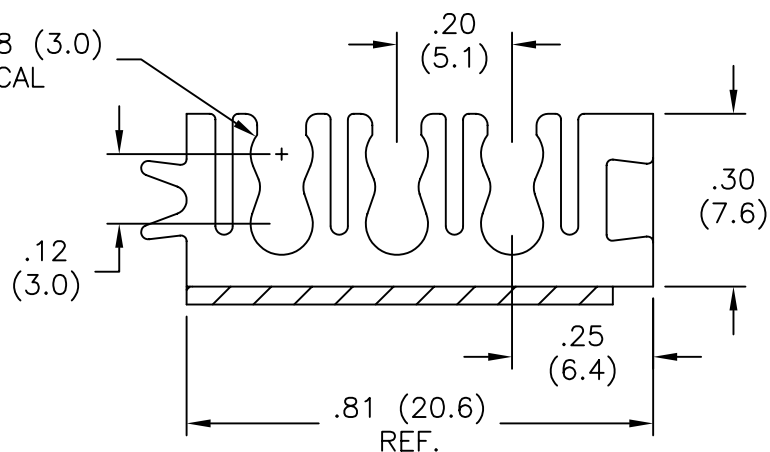
Address: A1208, Overseas Decoration Building, #122 Zhenhua RD., Futian, Shenzhen, China





TYPICAL APPLICATION  
SCALE 1:1

TO GRIP .118 (3.0)  
DIA. TYPICAL



NOTES:

1. MAT'L: FLAME RETARDANT, NYLON 6/6 (RMS-19).
2. COLOR: NATURAL.
3. ACRYLIC ADHESIVE TAPE (RMS-15), WHITE LINER.

TITLE: OPTICAL FIBER EXPANDABLE BRACKET			DWG IN IN (MM) FINAL					
TOLERANCES UNLESS NOTED .XX=±.010 .XXX=±.005 FRAC=±1/64 ANG=±1°			FILE # OFEB-3	DWN: J.B.	APP:	PART #		PRINT TYPE
B ADDED NOTE 3. AND CHANGED FILE NO. SM 06.10.02			MAT'L: SEE NOTES	DT: 08-26-96	DT:	OFEB-3-19		CA
A HOLDING DIA. CHANGED FROM .125 (3.18) JB 05.19.97			RE: RICHCO, INC.	RICHCO INC. PO BOX 804238, CHICAGO, 60680 (773) 539-4060				
REV DESCRIPTION ENGR DATE								