



Chipsmall Limited consists of a professional team with an average of over 10 year of expertise in the distribution of electronic components. Based in Hongkong, we have already established firm and mutual-benefit business relationships with customers from,Europe,America and south Asia,supplying obsolete and hard-to-find components to meet their specific needs.

With the principle of "Quality Parts,Customers Priority,Honest Operation,and Considerate Service",our business mainly focus on the distribution of electronic components. Line cards we deal with include Microchip,ALPS,ROHM,Xilinx,Pulse,ON,Everlight and Freescale. Main products comprise IC,Modules,Potentiometer,IC Socket,Relay,Connector.Our parts cover such applications as commercial,industrial, and automotives areas.

We are looking forward to setting up business relationship with you and hope to provide you with the best service and solution. Let us make a better world for our industry!



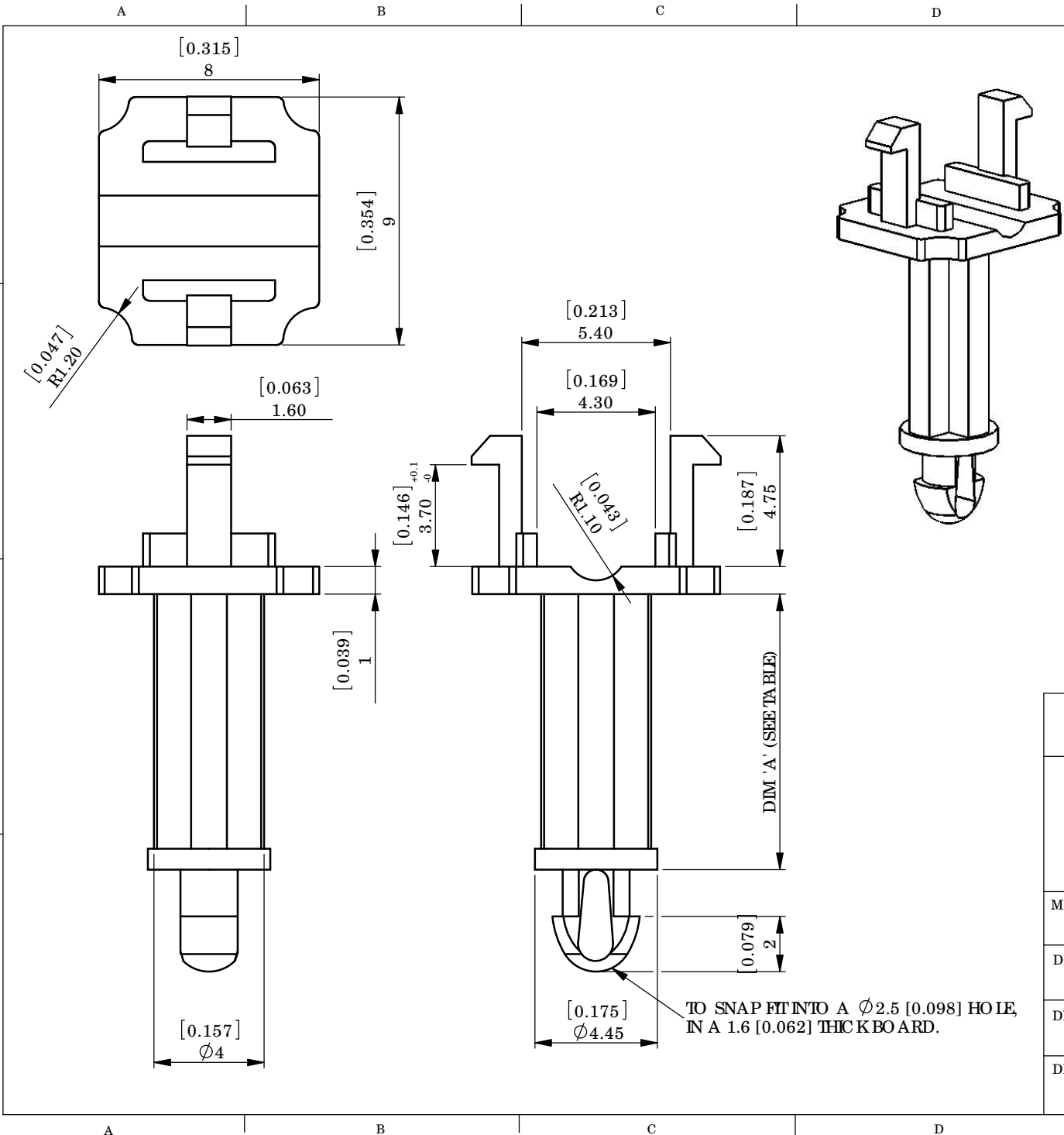
Contact us

Tel: +86-755-8981 8866 Fax: +86-755-8427 6832

Email & Skype: info@chipsmall.com Web: www.chipsmall.com

Address: A1208, Overseas Decoration Building, #122 Zhenhua RD., Futian, Shenzhen, China





REV.	MODIFICATION.	DATE	DRN
01	PRODUCTION RELEASE	06/12/04	NJB
02	ECN 04-231	13/12/04	NJB
03	ECN 04-237	21/12/04	NJB
04	CO 2011253	12/04/12	SF

PARTNUMBER	DIM 'A'
O FFG SP-R-05-BK	5
O FFG SP-R-10-BK	10
O FFG SP-R-16-BK	16

- NOTES:
- 1a) METRIC PRIMARY UNITS mm.
 - 1b) IMPERIAL SECONDARY UNITS (INCHES).
 - 2) 'A' DIM SPACER HEIGHTS AVAILABLE UPON SPECIAL REQUEST & MOQ.
 - 3) 'PATENT PENDING'.
 - 4) FIXES TO SUIT BOARD RANGE THICKNESSES UP TO 2.4mm AVAILABLE ON REQUEST.
 - 5) USED WITH O FFG-165M-19-BK

INFORMATION CONTAINED IN THIS DOCUMENT IS CONFIDENTIAL TO RICHCO INTERNATIONAL Co., Ltd. AND MAY NOT BE DISCLOSED OR REPRODUCED IN WHOLE OR PART WITHOUT THEIR WRITTEN CONSENT.

RICHCO, INC.
WWW.RICHCO-INC.COM

GENERAL TOLERANCES ± 0.25 (0.010) UNLESS OTHERWISE STATED
1 DECIMAL PLACE \pm
2 DECIMAL PLACES \pm
ANGULAR $\pm 1^\circ$

THIRD ANGLE

MATERIAL: NYLON 6/6 FR (RMS-19) COLOR: BLACK

DESCRIPTION: OPTICAL FIBRE GUIDE SUPPORT POST PART No: SEE TABLE

DRG No: 04-179 NPR No: 2003-245 SHEET SIZE A4

DRN	DATE	CHKD	DATE	SCALE	SHEET No.
NJB	22/04/04	NBR	29/11/04	NTS	1 OF 1

FORM No 0145/03