



Chipsmall Limited consists of a professional team with an average of over 10 year of expertise in the distribution of electronic components. Based in Hongkong, we have already established firm and mutual-benefit business relationships with customers from,Europe,America and south Asia,supplying obsolete and hard-to-find components to meet their specific needs.

With the principle of “Quality Parts,Customers Priority,Honest Operation,and Considerate Service”,our business mainly focus on the distribution of electronic components. Line cards we deal with include Microchip,ALPS,ROHM,Xilinx,Pulse,ON,Everlight and Freescale. Main products comprise IC,Modules,Potentiometer,IC Socket,Relay,Connector.Our parts cover such applications as commercial,industrial, and automotives areas.

We are looking forward to setting up business relationship with you and hope to provide you with the best service and solution. Let us make a better world for our industry!



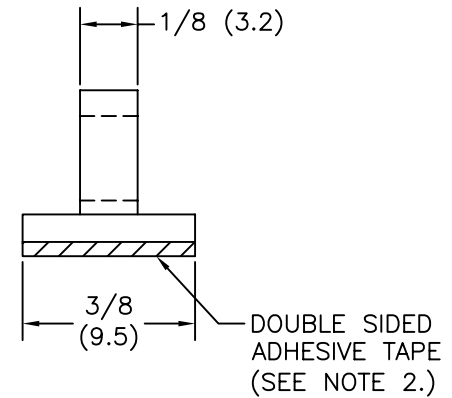
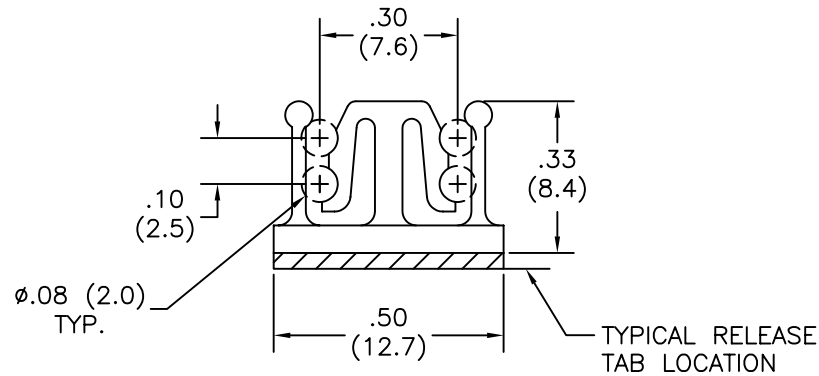
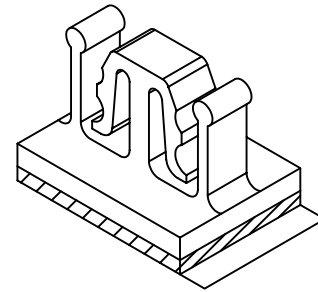
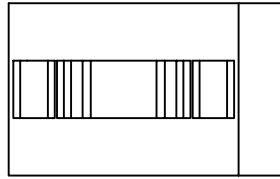
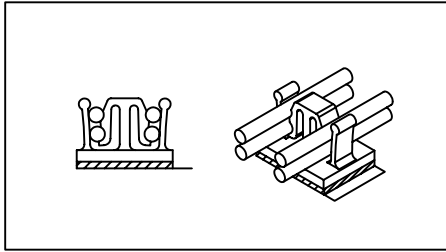
Contact us

Tel: +86-755-8981 8866 Fax: +86-755-8427 6832

Email & Skype: info@chipsmall.com Web: www.chipsmall.com


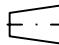

Address: A1208, Overseas Decoration Building, #122 Zhenhua RD., Futian, Shenzhen, China





NOTES:

1. MATERIAL: NYLON 66, UL 94-V0, (RMS-19),
COLOR: NATURAL.
2. TAPE: 1/32" THICK DOUBLE SIDED
ADHESIVE RUBBER BASE (RMS-102).

TITLE: OPTICAL FIBER HOLDER ON BASE, 2 mm			  DWG IN IN (MM)			
TOLERANCES UNLESS NOTED			FILE # OFHB2	DWN: S.M.	APP:	
.XX=±.010			MAT'L: SEE NOTES	DT: 06/05/01	DT:	
.XXX=±.005			RE: RICHCO, INC.	RICHCO INC.		PART #
FRAC=±1/64				PO BOX 804238, CHICAGO, 60680		OFHB2-4A1-RT-19
ANG=±1°				(773) 539-4060		PRINT TYPE
D	DIM. 1/8 WAS .125 AND 3/8 WAS .375	SM 04.02.02				
C	ADDED RELEASE TAB AND "-RT" TO P/N	SM 02.27.02				
B	REMOVED RELEASE TAB, ADDED -A1 TO P/N	SM 11.28.01				
A	RELEASED FOR PRODUCTION	SM 11.02.01				
REV	DESCRIPTION	ENGR DATE				CA