



Chipsmall Limited consists of a professional team with an average of over 10 year of expertise in the distribution of electronic components. Based in Hongkong, we have already established firm and mutual-benefit business relationships with customers from,Europe,America and south Asia,supplying obsolete and hard-to-find components to meet their specific needs.

With the principle of “Quality Parts,Customers Priority,Honest Operation,and Considerate Service”,our business mainly focus on the distribution of electronic components. Line cards we deal with include Microchip,ALPS,ROHM,Xilinx,Pulse,ON,Everlight and Freescale. Main products comprise IC,Modules,Potentiometer,IC Socket,Relay,Connector.Our parts cover such applications as commercial,industrial, and automotives areas.

We are looking forward to setting up business relationship with you and hope to provide you with the best service and solution. Let us make a better world for our industry!



Contact us

Tel: +86-755-8981 8866 Fax: +86-755-8427 6832

Email & Skype: info@chipsmall.com Web: www.chipsmall.com

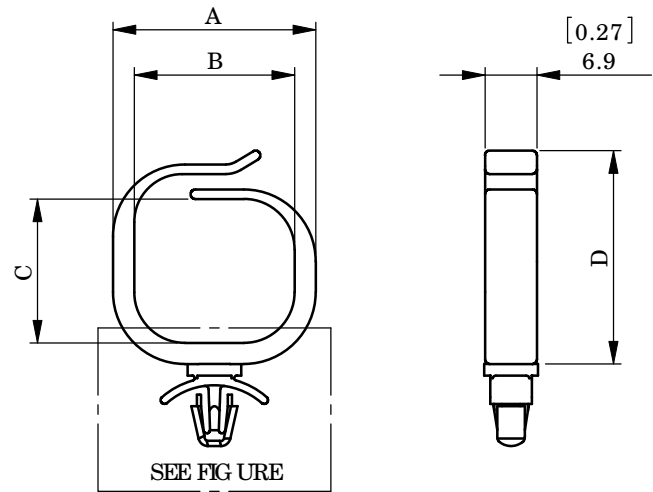
Address: A1208, Overseas Decoration Building, #122 Zhenhua RD., Futian, Shenzhen, China



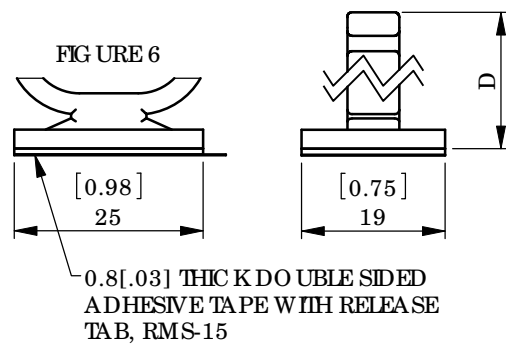
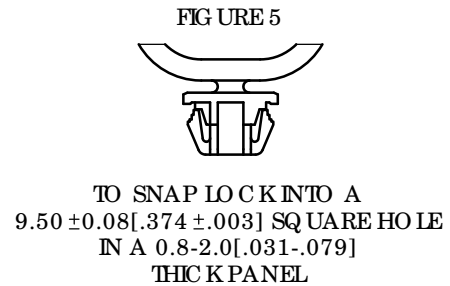
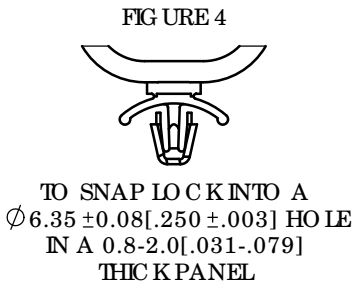
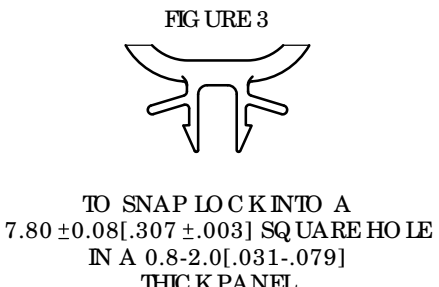
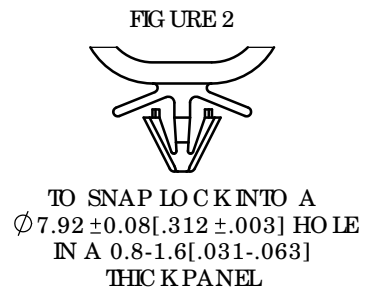
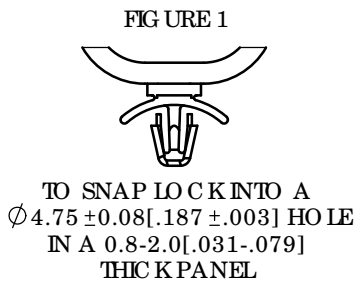
| REV. | MODIFICATION. | DATE | DRN |
|------|---------------|----------|-----|
| 01 | CO2010782 | 25/08/09 | MT |
| 02 | CO2010839 | 19/10/09 | MT |
| 03 | CO2010917 | 13/07/10 | SF |

| UL94 V-2 NYLON 6/6, RMS-01 COLOUR: NATURAL | UL94 V-0 NYLON 6/6, RMS-19 COLOUR: NATURAL | "A" REF | "B" REF | "C" REF | "D" REF | FIGURE |
|--|--|------------|-----------|----------|------------|------------|
| O FNS-13-187-01 | O FNS-13-187-19 | 26.8[1.06] | 21.2[.83] | 19[.75] | 28.2[1.11] | 1 |
| O FNS-13-312-01 | O FNS-13-312-19 | | | | | 2 |
| O FNS-13-250-01 | O FNS-13-250-19 | | | | | 4 |
| O FNS-13-S9.5M-01 | O FNS-13-S9.5M-19 | | | | | 5 |
| O FNSB-13-01A-RT | O FNSB-13-19A-RT | | | | | 6 |
| O FNS-16-187-01 | O FNS-16-187-19 | | | | | 34.3[1.35] |
| O FNS-16-312-01 | O FNS-16-312-19 | 2 | | | | |
| O FNS-16-S307-01 | O FNS-16-S307-19 | 3 | | | | |
| O FNS-16-S9.5M-01 | O FNS-16-S9.5M-19 | 5 | | | | |
| O FNSB-16-01A-RT | O FNSB-16-19A-RT | 6 | | | | |
| O FNS-28-S9.5M-01 | O FNS-28-S9.5M-19 | 43[1.69] | 35[1.38] | 44[1.73] | 55[2.17] | |

AVAILABLE IN BLACK COLOUR BY SPECIAL ORDER. TO ORDER, ADD "BK" TO THE END OF THE PARTNUMBER



ALTERNATE UNITS FOR REFERENCE ONLY



| | | | | | |
|--|------------------|-----------------|--|---------------|---------------------|
| INFORMATION CONTAINED IN THIS DOCUMENT IS CONFIDENTIAL TO RICHCO INTERNATIONAL Co. Ltd. AND MAY NOT BE DISCLOSED OR REPRODUCED IN WHOLE OR PART WITHOUT THEIR WRITTEN CONSENT. | | | | | |
| RICHCO, INC. WWW.RICHCO-INC.COM | | | ALL DIMENSIONS IN mm GENERAL TOLERANCES ± 0.25 UNLESS OTHERWISE STATED 1 DECIMAL PLACE \pm 2 DECIMAL PLACES \pm ANGULAR $\pm 1^\circ$ | | THIRD ANGLE |
| MATERIAL: SEE TABLE | | | COLOUR: SEE TABLE | | |
| DESCRIPTION: OPTICAL FIBER NETWORK SADDLE | | | PART No: SEE TABLE | | |
| DRG No: 09-084 | | PROJECT NUMBER: | | SHEET SIZE A4 | |
| DRN MT | DATE 21/08/09 | CHKD TC | DATE 25/08/09 | SCALE NTS | SHEET No. 1 OF 1 |