



Chipsmall Limited consists of a professional team with an average of over 10 year of expertise in the distribution of electronic components. Based in Hongkong, we have already established firm and mutual-benefit business relationships with customers from,Europe,America and south Asia,supplying obsolete and hard-to-find components to meet their specific needs.

With the principle of “Quality Parts,Customers Priority,Honest Operation,and Considerate Service”,our business mainly focus on the distribution of electronic components. Line cards we deal with include Microchip,ALPS,ROHM,Xilinx,Pulse,ON,Everlight and Freescale. Main products comprise IC,Modules,Potentiometer,IC Socket,Relay,Connector.Our parts cover such applications as commercial,industrial, and automotives areas.

We are looking forward to setting up business relationship with you and hope to provide you with the best service and solution. Let us make a better world for our industry!



Contact us

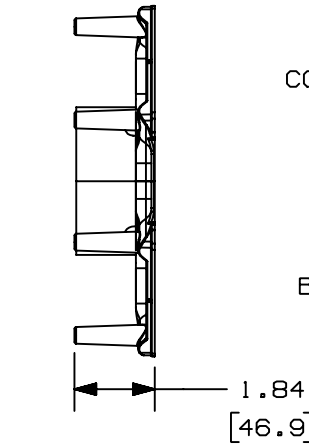
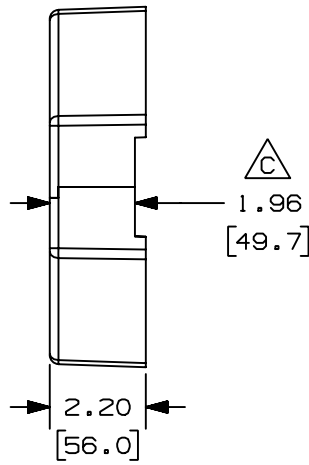
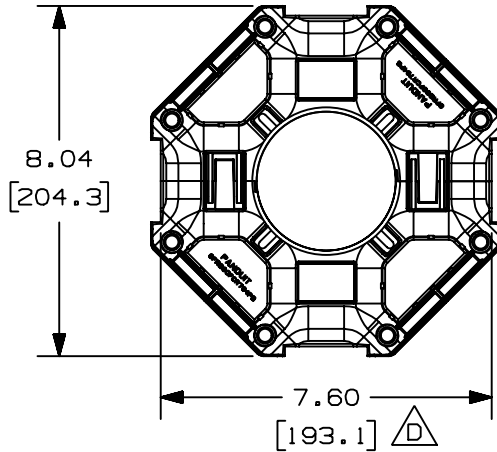
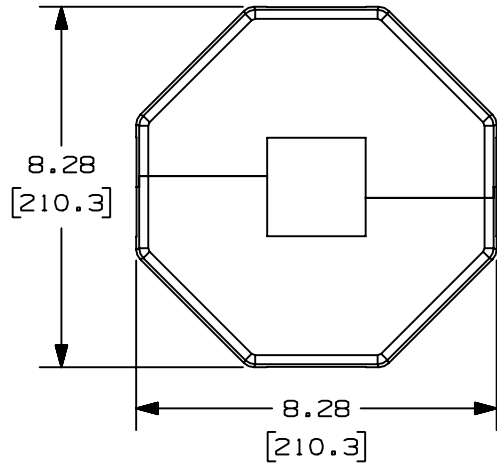
Tel: +86-755-8981 8866 Fax: +86-755-8427 6832

Email & Skype: info@chipsmall.com Web: www.chipsmall.com

Address: A1208, Overseas Decoration Building, #122 Zhenhua RD., Futian, Shenzhen, China



THIS COPY IS PROVIDED ON A RESTRICTED BASIS AND IS NOT TO BE USED IN ANY WAY DETRIMENTAL TO THE INTERESTS OF PANDUIT CORP.

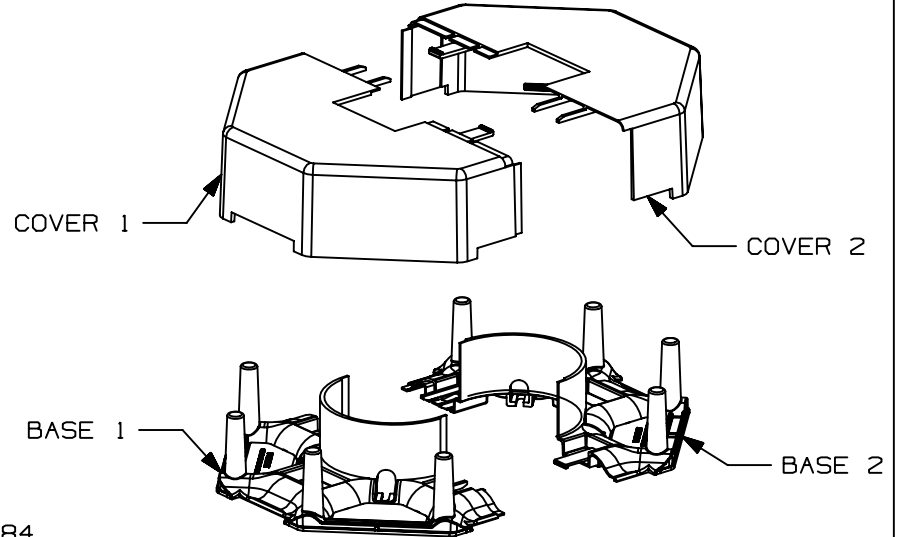


PANDUIT PART NO.	WEIGHT
OFR200FCR70**4P	.90 lbs/EACH (408.3 g/EACH)



NOTES:

1. SEE CURRENT CATALOG FOR ADDITIONAL PART NUMBER SUFFIXES TO INDICATE COLOR AND/OR PACKAGE QUANTITY.
2. DIMENSIONS IN PARENTHESIS ARE IN METRIC.
3. BYPASS AREA OPENING SIZED TO ACCEPT UP TO 2 1/4" X 2 1/4" POWER POLE.



CAD FILENAME/LAYERS D38725BM_DC_OFR200FCR704P_00B.PRT

PANDUIT CORP. TINLEY PARK, ILLINOIS
OFFICE FURNITURE 4 POSITION DROP BOX
POWER POLE BYPASS FITTING (OFR200FCR704P)
CUSTOMER DRAWING

UNLESS OTHERWISE SPECIFIED, DIMENSIONAL TOLERANCES ARE: (.X) ± (.XXX) ± (.XX) ±.03 (.8) ANGLES ±	UNLESS OTHERWISE SPECIFIED, ALL DIMENSIONS ARE GIVEN IN INCHES, THIRD ANGLE PROJECTION.
---	---

REV	DATE	BY	CHK	DESCRIPTION	ECN	CHK	CUST	SUP
1	05-16-05	JHEP	RMHI	B. ADDED PART WEIGHT A. ADDED NOTE 3	38725-09	RGRO	RGRO	
R	07-06-04	JBN	RMHI	DRAWING RELEASED				
				RELEASED TO PRODUCTION				
				D. RELOCATED DIMENSION C. ADDED DIMENSION				

DRAWN BY JBN	MATERIAL: PVC	SCALE NONE
DATE 07-06-04		DRAWING NO. 38725-09
CHK'D RMHI		DWG SIZE A