



Chipsmall Limited consists of a professional team with an average of over 10 year of expertise in the distribution of electronic components. Based in Hongkong, we have already established firm and mutual-benefit business relationships with customers from,Europe,America and south Asia,supplying obsolete and hard-to-find components to meet their specific needs.

With the principle of “Quality Parts,Customers Priority,Honest Operation,and Considerate Service”,our business mainly focus on the distribution of electronic components. Line cards we deal with include Microchip,ALPS,ROHM,Xilinx,Pulse,ON,Everlight and Freescale. Main products comprise IC,Modules,Potentiometer,IC Socket,Relay,Connector.Our parts cover such applications as commercial,industrial, and automotives areas.

We are looking forward to setting up business relationship with you and hope to provide you with the best service and solution. Let us make a better world for our industry!



Contact us

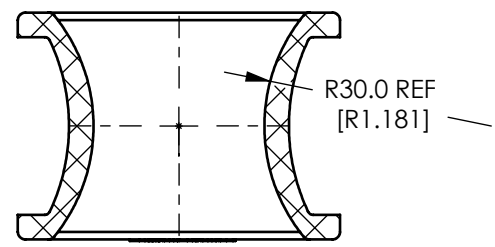
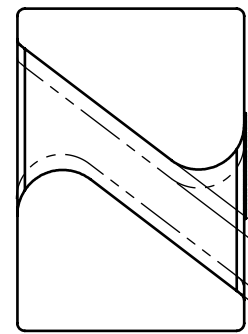
Tel: +86-755-8981 8866 Fax: +86-755-8427 6832

Email & Skype: info@chipsmall.com Web: www.chipsmall.com

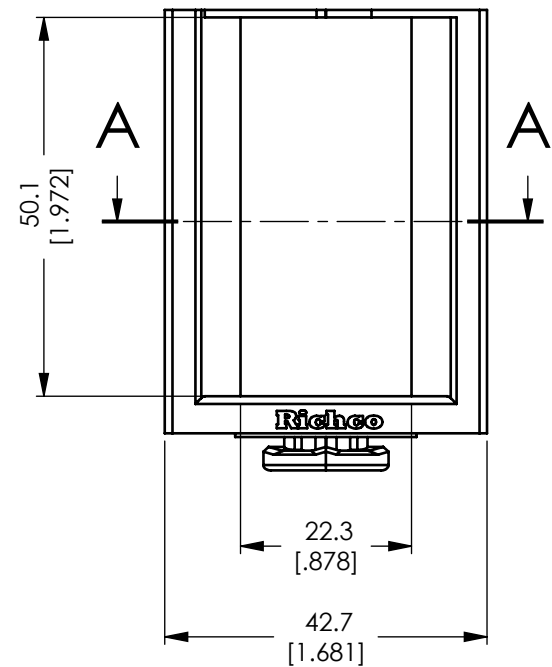
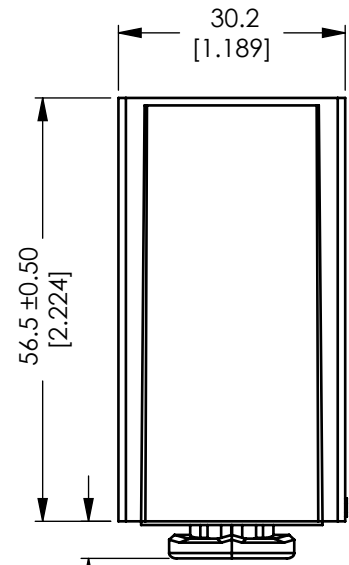
Address: A1208, Overseas Decoration Building, #122 Zhenhua RD., Futian, Shenzhen, China



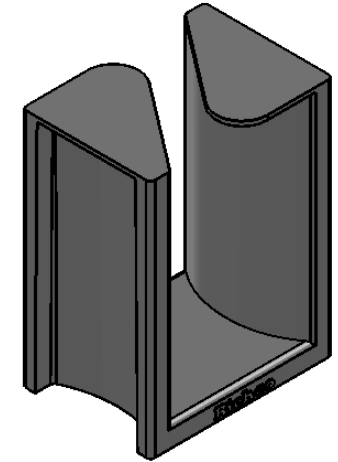
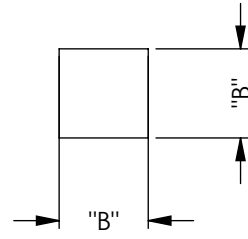
REV.	MODIFICATION.	DATE	DRN
01	PRODUCTION RELEASE	09/01/09	OW
02	CO-2010691	12/06/09	OW
03	CO-2010731	14/07/09	OW
04	CO-2010830	23/11/09	OW
05	CO-2010885	15/02/10	OW
06	3.0 Min was 6 ±1.0	26/09/13	NW
07	8.5 WAS 3.0 MIN; 5.0MIN ADDED	24/03/14	NW



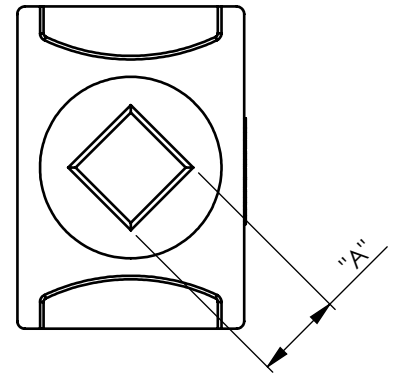
SECTION A-A



PANEL DETAIL:
1.6 - 2.0 [.063 - .079] THICK PANEL



ALTERNATE UNITS FOR REFERENCE ONLY



PART NUMBER	"A" DIMENSION ±0.2	"B" DIMENSION +0.1 -0
OFRB-1BK	11.7 [.461]	11.8 [.465]
OFRB-2BK	9.3 [.366]	9.5 [.374]

INFORMATION CONTAINED IN THIS DOCUMENT IS CONFIDENTIAL TO RICHCO INTERNATIONAL Co. Ltd. AND MAY NOT BE DISCLOSED OR REPRODUCED IN WHOLE OR PART WITHOUT THEIR WRITTEN CONSENT.

RICHCO, INC.
WWW.RICHCO-INC.COM

ALL DIMENSIONS IN mm
GENERAL TOLERANCES ±0.25
UNLESS OTHERWISE STATED
1 DECIMAL PLACE ±
2 DECIMAL PLACES ±
ANGULAR ±1°

THIRD ANGLE

MATERIAL: NYLON 6/6 FR UL94-V0 (RMS-19)		COLOUR: BLACK	
DESCRIPTION: OPTICAL FIBRE RACK BRACKET		PART No: SEE TABLE	
DRG No: 09-031	PROJECT NUMBER: BN08-0016	Mass:(g) 12.0	SHEET SIZE A4
DRN OW	DATE 03/12/08	CHKD SF	DATE 09/01/09
	SCALE NTS		SHEET No. 1 OF 1