



Chipsmall Limited consists of a professional team with an average of over 10 year of expertise in the distribution of electronic components. Based in Hongkong, we have already established firm and mutual-benefit business relationships with customers from,Europe,America and south Asia,supplying obsolete and hard-to-find components to meet their specific needs.

With the principle of "Quality Parts,Customers Priority,Honest Operation,and Considerate Service",our business mainly focus on the distribution of electronic components. Line cards we deal with include Microchip,ALPS,ROHM,Xilinx,Pulse,ON,Everlight and Freescale. Main products comprise IC,Modules,Potentiometer,IC Socket,Relay,Connector.Our parts cover such applications as commercial,industrial, and automotives areas.

We are looking forward to setting up business relationship with you and hope to provide you with the best service and solution. Let us make a better world for our industry!



Contact us

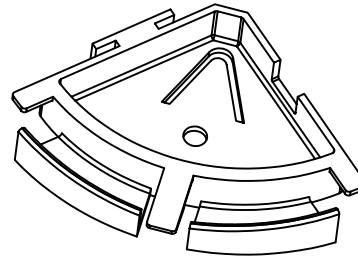
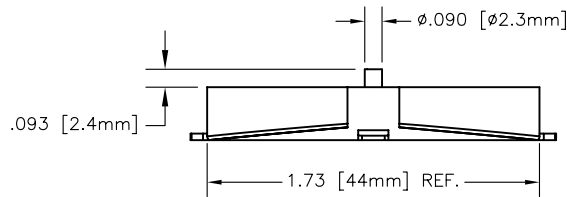
Tel: +86-755-8981 8866 Fax: +86-755-8427 6832

Email & Skype: info@chipsmall.com Web: www.chipsmall.com

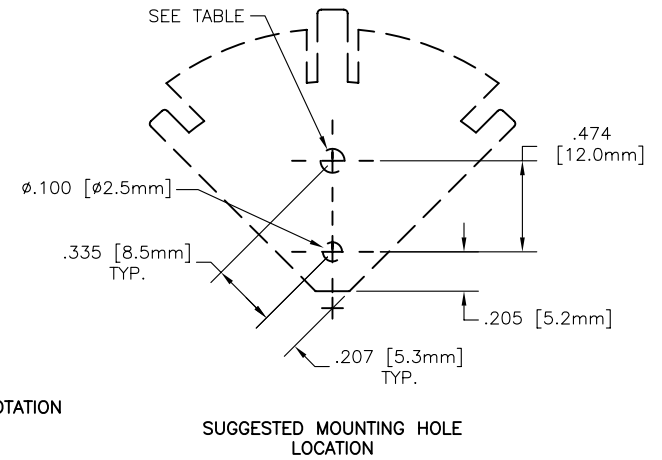
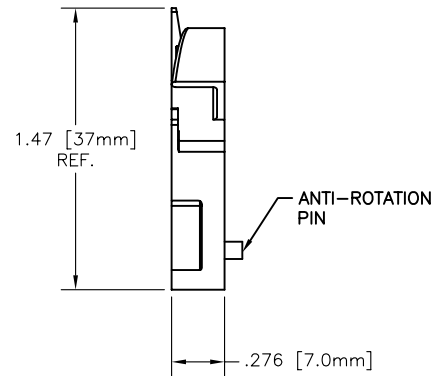
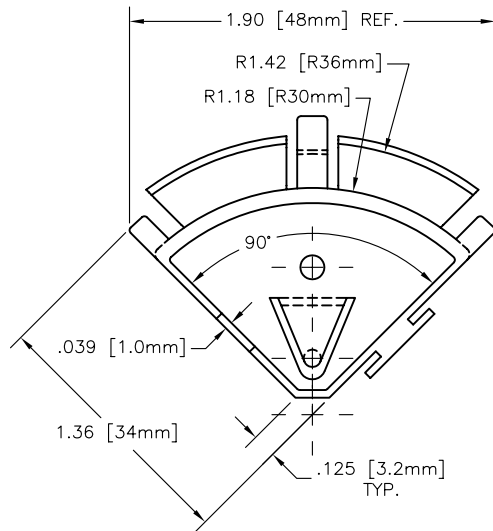
Address: A1208, Overseas Decoration Building, #122 Zhenhua RD., Futian, Shenzhen, China



PAGE 1 OF 2
SEE NOTE 4



MOUNTING RIVETS FOR THE OFS90-30R		
RIVET NO.	PANEL THICKNESS RANGE	MOUNTING HOLE DIA.
SRV0-3035	UP TO .039 (1.0)	.122-.126 (3.1-3.2)
SRV0-3045	.039-.079 (1.0-2.0)	
SRV0-3055	.079-.118 (2.0-3.0)	
SRV0-3065	.118-.158 (3.0-4.0)	
SRV0-3075	.158-.197 (4.0-5.0)	
SRV0-3080	.177-.217 (4.5-5.5)	
SRV0-3090	.217-.256 (5.5-6.5)	
SRV0-3100	.256-.295 (6.5-7.5)	

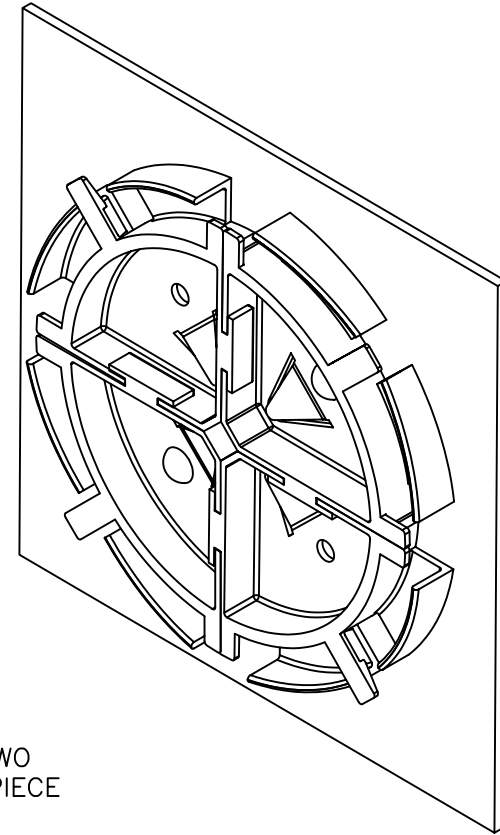
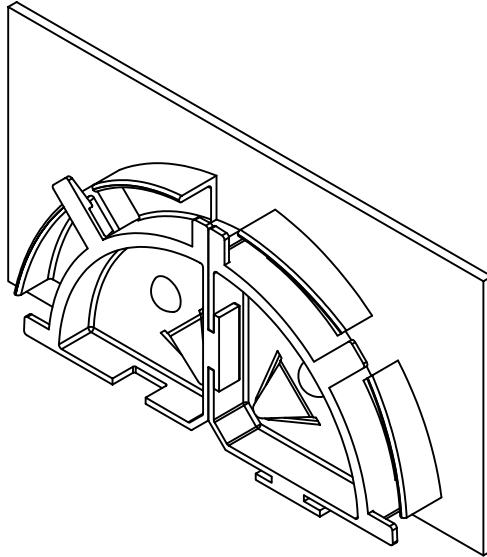


NOTES:

1. MATERIAL: FLAME RETARDANT NYLON, (RMS-19)
2. COLOR: NATURAL.
3. CAN BE USED WITH EITHER A SRV0-3XXX RIVET OR #4 SCREW.
4. PAGE 2 OF 2 SHOWS TYPICAL INSTALLATION OF TWO AND FOUR SEGMENTS ASSEMBLED.

REV	DESCRIPTION	ENGR DATE
B	ADDED TABLE TO SHEET 1	R.G.02.12.02
A	RELEASED FOR PRODUCTION	R.G.02.11.02

TITLE: OPTICAL FIBER SEGMENT-90 DEGREE-30 MM RADIUS				DWG IN IN [MM]		FINAL	
TOLERANCES UNLESS NOTED .XX=±.010 .XXX=±.005 FRAC=±1/64 ANG=±1'	FILE # OFS90-30R	DWN: R.D.G.	APP:			PART #	
	MAT'L: SEE NOTES	DT: 06/06/01	DT:			OFS90-30R	
	RE: RICHCO, INC.	RICHCO INC. PO BOX 804238, CHICAGO, 60680 (773) 539-4060				PRINT TYPE CA	



TYPICAL INSTALLATION OF TWO
PIECE ASSEMBLY AND FOUR PIECE
ASSEMBLY.

TITLE: OPTICAL FIBER SEGMENT-90 DEGREE-30 MM RADIUS					DWG IN IN (MM)	
TOLERANCES UNLESS NOTED .XX=±.010 .XXX=±.005 FRAC=±1/64 ANG=±1°			FILE # OFS90-30R MAT'L: SEE PAGE 1 NOTES RE: RICHCO, INC.	DWN: R.D.G. DT: 06/06/01	APP: DT:	PART # OFS90-30R
B A REV	ADDED TABLE TO SHEET 1 RELEASED FOR PRODUCTION DESCRIPTION	R.G.02.12.02 R.G.02.11.02 ENGR DATE	RICHCO INC. PO BOX 804238, CHICAGO, 60680 (773) 539-4060		FINAL	PRINT TYPE CA