



Chipsmall Limited consists of a professional team with an average of over 10 year of expertise in the distribution of electronic components. Based in Hongkong, we have already established firm and mutual-benefit business relationships with customers from,Europe,America and south Asia,supplying obsolete and hard-to-find components to meet their specific needs.

With the principle of "Quality Parts,Customers Priority,Honest Operation,and Considerate Service",our business mainly focus on the distribution of electronic components. Line cards we deal with include Microchip,ALPS,ROHM,Xilinx,Pulse,ON,Everlight and Freescale. Main products comprise IC,Modules,Potentiometer,IC Socket,Relay,Connector.Our parts cover such applications as commercial,industrial, and automotives areas.

We are looking forward to setting up business relationship with you and hope to provide you with the best service and solution. Let us make a better world for our industry!



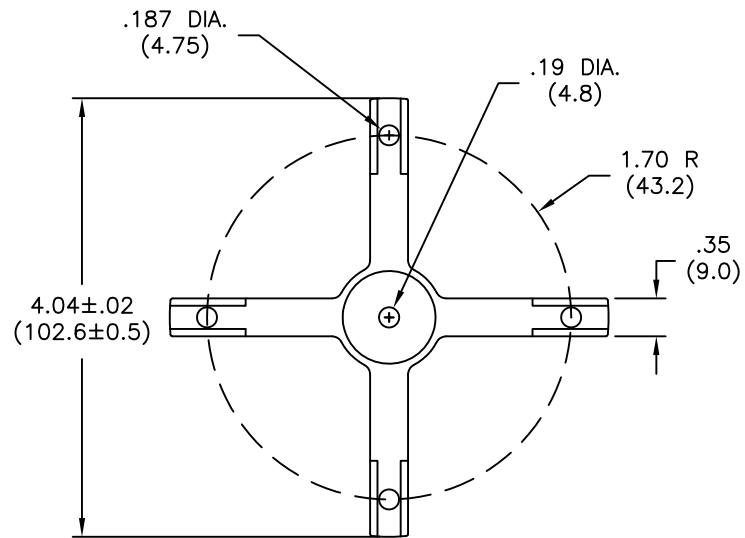
## Contact us

Tel: +86-755-8981 8866 Fax: +86-755-8427 6832

Email & Skype: info@chipsmall.com Web: www.chipsmall.com

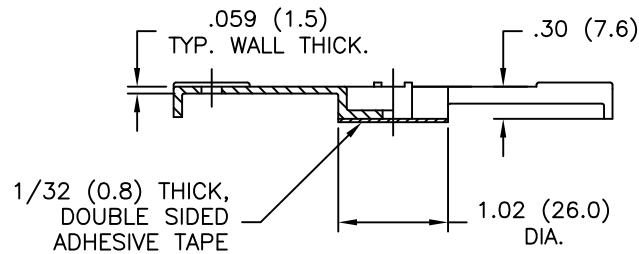
Address: A1208, Overseas Decoration Building, #122 Zhenhua RD., Futian, Shenzhen, China





NYLON 6/6 (RMS-01) COLOR: NATURAL PART NO.	FLAME RET. (RMS-19) COLOR: NATURAL PART NO.	MOUNTING STYLE
OFSB-4-85-01A	OFSB-4-85-19A	ADHESIVE TAPE
OFSB-4-85-01	OFSB-4-85-19	SCREW MOUNT

MOUNTING RIVETS		
RICHCO RIVET NO.	HOLE DIA.	PANEL THICKNESS RANGE
SR-5045	.201-.205 (5.1-5.2)	.059-.098 (1.5-2.5)
SR-5055		.098-.138 (2.5-3.5)
SR-5065		.138-.177 (3.5-4.5)
SR-5075		.177-.217 (4.5-5.5)
SR-5085		.217-.256 (5.5-6.5)
SR-5095		.256-.295 (6.5-7.5)
SR-5105		.295-.335 (7.5-8.5)



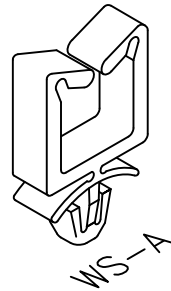
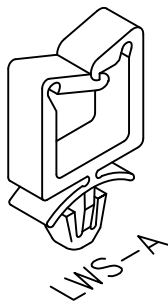
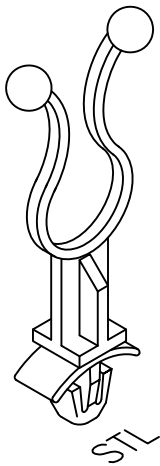
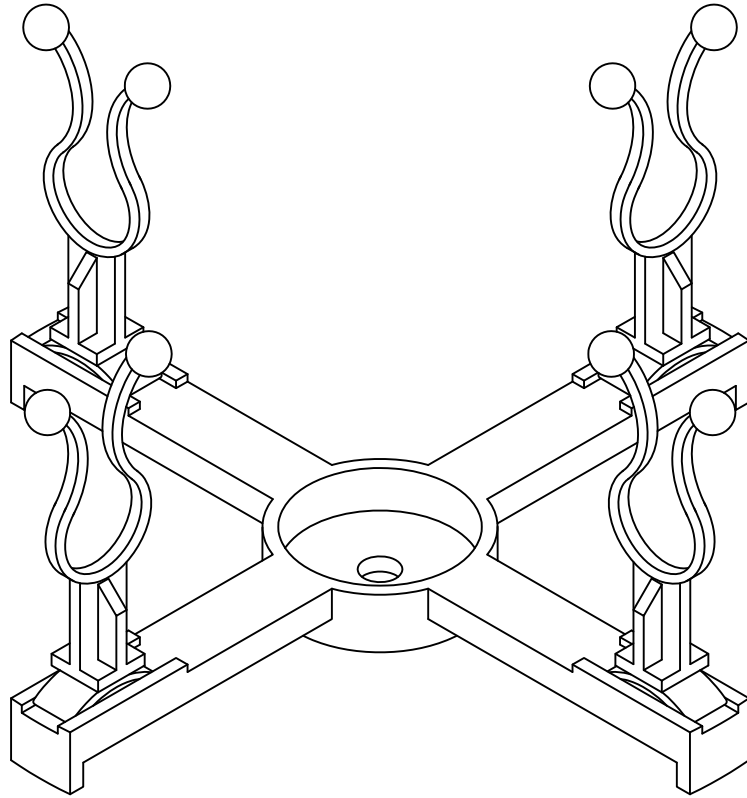
SHEET 1 OF 2

NOTES:

1. ACRYLIC ADHESIVE TAPE (RMS-15).

TITLE: OPTICAL FIBER SUPPORT BASE		DWG IN IN (MM)	FINAL				
E	SEE CO 200436 FOR CHANGES	SK 09.11.09	FILE # OFSB-4	DWN: HS/PB	DT: 04-05-95	PART # SEE TABLE	PRINT TYPE CA
D	SEE ECN #1019 FOR CHANGES	SK 06.23.05	MAT'L: SEE TABLE	CHKD:	ENGR:		
C	SEE ECN #562 FOR CHANGES	SM 01.22.03	RE: RICHCO, INC.	RICHCO INC. PO BOX 804238, CHICAGO, 60680 (773) 539-4060			
B	UPDATED PRINT & CHANGED FILE NO.	SM 02.26.02					
A	NOTE 3 ADDED	PB 07.13.95					
REV	DESCRIPTION	ENGR DATE					

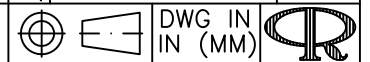
TOLERANCES UNLESS NOTED  
.XX=±.010  
.XXX=±.005  
FRAC=±1/64  
ANG=±1°



SHEET 2 OF 2

D	SEE SHEET 1	SK 06.23.05
R E V	DESCRIPTION	ENGR DATE

TITLE: OPTICAL FIBER SUPPORT BASE



DWG IN  
IN (MM)

FINAL

TOLERANCES UNLESS NOTED .XX=±.010 .XXX=±.005 FRAC=±1/64 ANG=±1'	FILE # OFSB-4	DWN: HS/PB	APP:	PART # SEE TABLE	PRINT TYPE CA
	MAT'L: SEE NOTES	DT: 04-05-95	DT:		
	RE: RICHCO, INC.	RICHCO INC. PO BOX 804238, CHICAGO, 60680 (773) 539-4060			