



Chipsmall Limited consists of a professional team with an average of over 10 year of expertise in the distribution of electronic components. Based in Hongkong, we have already established firm and mutual-benefit business relationships with customers from,Europe,America and south Asia,supplying obsolete and hard-to-find components to meet their specific needs.

With the principle of “Quality Parts,Customers Priority,Honest Operation,and Considerate Service”,our business mainly focus on the distribution of electronic components. Line cards we deal with include Microchip,ALPS,ROHM,Xilinx,Pulse,ON,Everlight and Freescale. Main products comprise IC,Modules,Potentiometer,IC Socket,Relay,Connector.Our parts cover such applications as commercial,industrial, and automotives areas.

We are looking forward to setting up business relationship with you and hope to provide you with the best service and solution. Let us make a better world for our industry!



Contact us

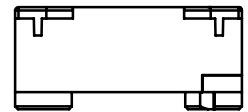
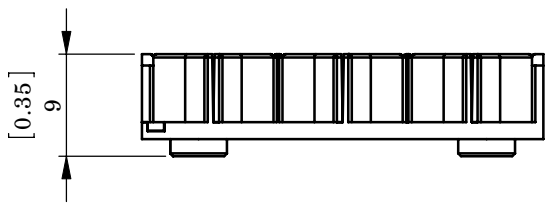
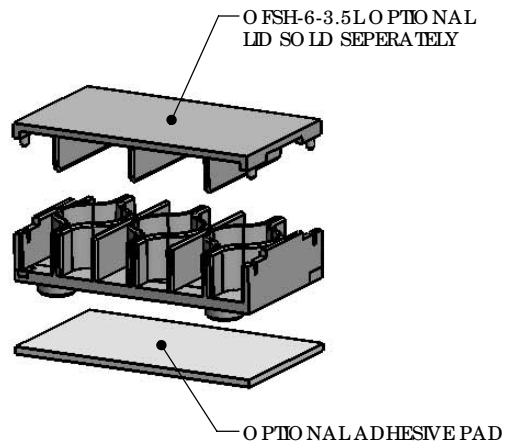
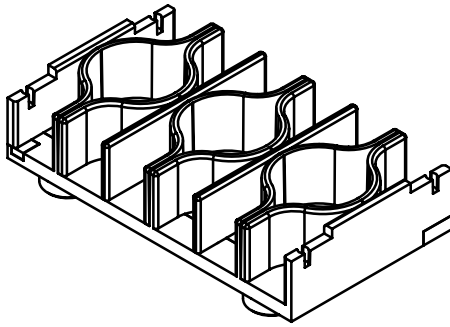
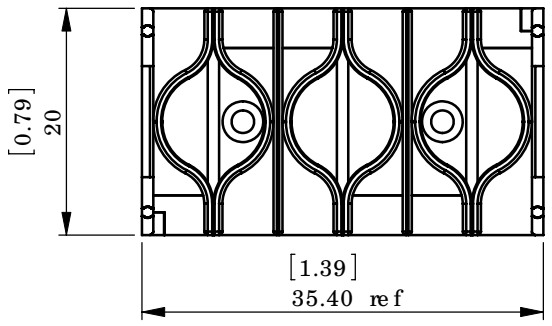
Tel: +86-755-8981 8866 Fax: +86-755-8427 6832

Email & Skype: info@chipsmall.com Web: www.chipsmall.com

Address: A1208, Overseas Decoration Building, #122 Zhenhua RD., Futian, Shenzhen, China

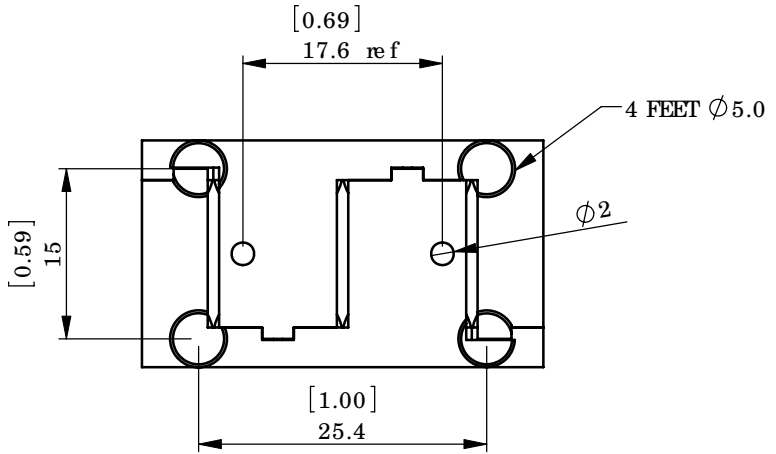


REV.	MODIFICATION.	DATE	DRN
01	CO 2010621	11/06/09	SF



MINIFLEX TECHNOLOGY MANUFACTURED BY RICHC O	
MATERIAL MIX: POLYPROPYLENE, RMS-150; TPE, RMS-182; COLOR: NATURAL ADHESIVE TAPE, RMS-400	
PART NUMBER	ADHESIVE
OFSH-6-3.5	WITHOUT ADHESIVE
OFSH-6-3.5A	WITH ADHESIVE
OFSH-6-3.5L	LID, WITHOUT ADHESIVE

ALTERNATE UNITS FOR REFERENCE ONLY



INFORMATION CONTAINED IN THIS DOCUMENT IS CONFIDENTIAL TO RICHC O INTERNATIONAL Co. Ltd. AND MAY NOT BE DISCLOSED OR REPRODUCED IN WHOLE OR PART WITHOUT THEIR WRITTEN CONSENT

ALL DIMENSIONS IN mm
 GENERAL TOLERANCES ±0.25
 UNLESS OTHERWISE STATED
 1 DECIMAL PLACE ±
 2 DECIMAL PLACES ±
 ANGULAR ±1°

THIRD ANGLE

MATERIAL: SEE TABLE	COLOR: NATURAL
---------------------	----------------

DESCRIPTION: OPTICAL FIBER SPLICE HOLDER	PART No: SEE TABLE
--	--------------------

DRG No: 09-024	NPR No:	SHEET SIZE A4
----------------	---------	---------------

DRN MT	DATE 14/04/09	CHKD SF	DATE 11/06/09	SCALE NTS	SHEET No. 1 OF 1
--------	---------------	---------	---------------	-----------	------------------