



Chipsmall Limited consists of a professional team with an average of over 10 year of expertise in the distribution of electronic components. Based in Hongkong, we have already established firm and mutual-benefit business relationships with customers from,Europe,America and south Asia,supplying obsolete and hard-to-find components to meet their specific needs.

With the principle of “Quality Parts,Customers Priority,Honest Operation,and Considerate Service”,our business mainly focus on the distribution of electronic components. Line cards we deal with include Microchip,ALPS,ROHM,Xilinx,Pulse,ON,Everlight and Freescale. Main products comprise IC,Modules,Potentiometer,IC Socket,Relay,Connector.Our parts cover such applications as commercial,industrial, and automotives areas.

We are looking forward to setting up business relationship with you and hope to provide you with the best service and solution. Let us make a better world for our industry!



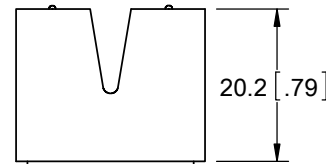
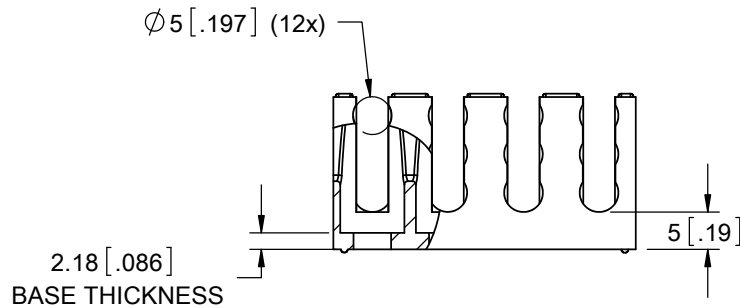
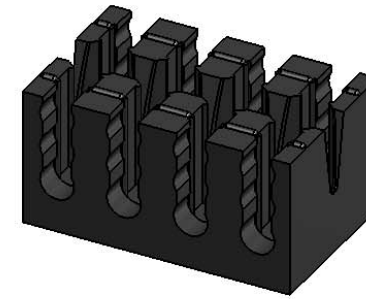
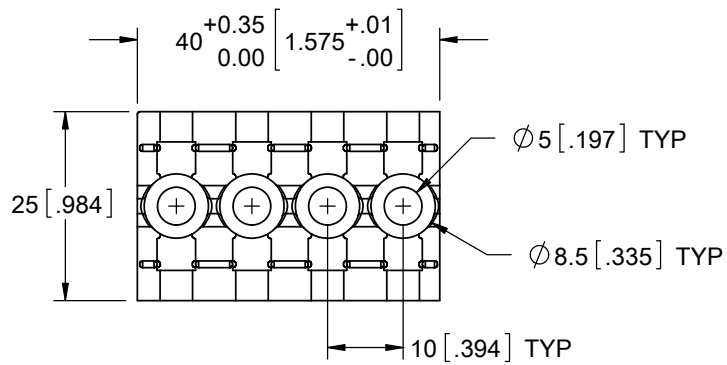
Contact us

Tel: +86-755-8981 8866 Fax: +86-755-8427 6832

Email & Skype: info@chipsmall.com Web: www.chipsmall.com

Address: A1208, Overseas Decoration Building, #122 Zhenhua RD., Futian, Shenzhen, China





NOTES:

1. MATERIAL: GLASS FILLED FLAME RETARDANT NYLON (RMS-104), UL 94 V-0
2. COLOR: BLACK.
3. FOR MOUNTING USE PUSH RIVETS OR SCREWS
4. THIS PART INTENDED TO BE USED WITH OFBLT-X-05 SERIES
5. PART DESIGNED IN mm, ALTERNATE UNITS FOR REFERENCE ONLY.

TITLE: OPTICAL FIBER SLOTTED MULTI BRACKET			DWG IN mm [IN]		FINAL		
CREATED USING SOLIDWORKS			FILE #: OFSMB-4	DWN: SM	APP: -	PART #	
TOLERANCES UNLESS NOTED XX=±.010 .XXX=±.005 FRAC.=±1/64 ANG.=±1°			SHEET: 1 OF 1	SHEET SIZE: A	DT: 01/17/03		CHKD: -
C	SEE CO 200773 FOR CHANGES	SK 04/30/12	RE: RICHCO, INC.		RICHCO, INC.		OFSMB-4-05GFBK
B	UPDATED TOLERANCE ON 40 [1.57] DIM, CO 200537	SK 06/07/10	--		WWW.RICHCO-INC.COM		
A	RELEASED FOR PRODUCTION	SM 01/21/03					PRINT TYPE
REV.	DESCRIPTION	ENGR. DATE					CA