



Chipsmall Limited consists of a professional team with an average of over 10 year of expertise in the distribution of electronic components. Based in Hongkong, we have already established firm and mutual-benefit business relationships with customers from,Europe,America and south Asia,supplying obsolete and hard-to-find components to meet their specific needs.

With the principle of “Quality Parts,Customers Priority,Honest Operation,and Considerate Service”,our business mainly focus on the distribution of electronic components. Line cards we deal with include Microchip,ALPS,ROHM,Xilinx,Pulse,ON,Everlight and Freescale. Main products comprise IC,Modules,Potentiometer,IC Socket,Relay,Connector.Our parts cover such applications as commercial,industrial, and automotives areas.

We are looking forward to setting up business relationship with you and hope to provide you with the best service and solution. Let us make a better world for our industry!



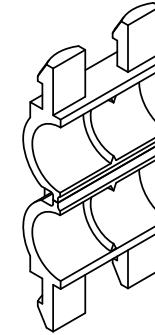
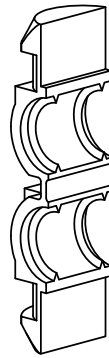
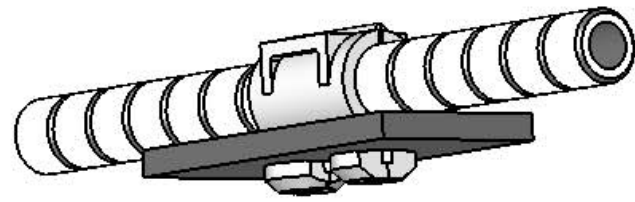
## Contact us

Tel: +86-755-8981 8866 Fax: +86-755-8427 6832

Email & Skype: info@chipsmall.com Web: www.chipsmall.com

Address: A1208, Overseas Decoration Building, #122 Zhenhua RD., Futian, Shenzhen, China





PART NO.	MATERIAL	COLOR	FIGURE NO.
OFTGSP-1-05-19	NYLON 6/6 UL 94 V-0 (RMS-19)	NATURAL	1
OFTGSP-2-05-19	NYLON 6/6 UL 94 V-0 (RMS-19)	NATURAL	2

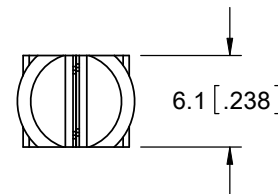
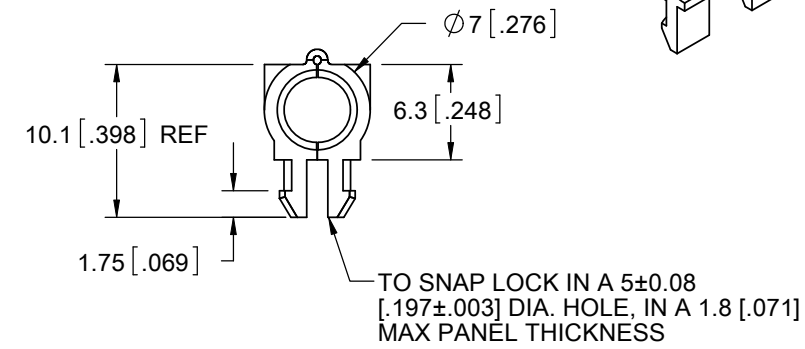
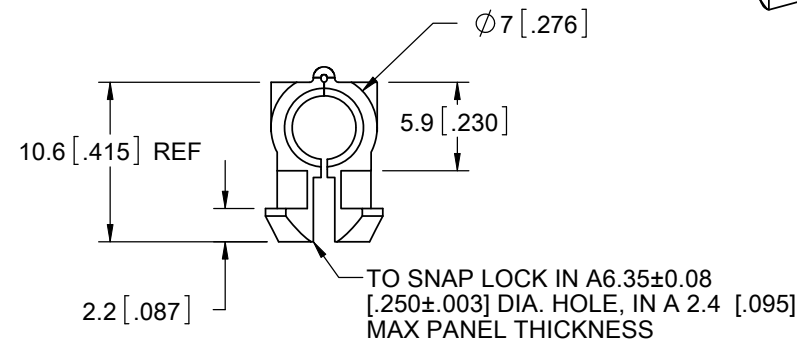


FIG 1

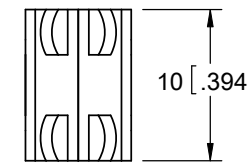
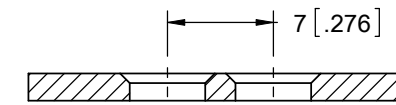


FIG 2



MOUNTING HOLE DETAIL FOR FIG 1



MOUNTING HOLE DETAIL FOR FIG 2

REV.	DESCRIPTION	ENGR.	DATE
B	OBSOLETE PART NO OFTGS1-05-E901, CO 200586	SK	09/23/10
A	NEW DRAWING, SEE ECN # 1184 FOR CHANGES	SK	06/22/06
-	SEE HISTORY FILE FOR REVISION LEVELS ON OLD DRAWING	----	----

TITLE: OPTICAL FIBER TUBE GRIPPER SADDLE				DWG IN IN [MM]		FINAL	
CREATED USING SOLIDWORKS	FILE #: OFTGSP	DWN: SK	APP: SK	PART #			
TOLERANCES UNLESS NOTED 0-10=±0.25 10.01-30=±0.3 30.01-50=±0.5 ANG.=±1°	SHEET: 1 OF 1	SHEET SIZE: B	DT: 06/19/06	CHKD: DZ	SEE TABLE		PRINT TYPE
RE: RICHCO, INC.		RICHCO, INC. ENG@RICHCO-INC.COM (773) 539-4060				CA	