



Chipsmall Limited consists of a professional team with an average of over 10 year of expertise in the distribution of electronic components. Based in Hongkong, we have already established firm and mutual-benefit business relationships with customers from,Europe,America and south Asia,supplying obsolete and hard-to-find components to meet their specific needs.

With the principle of "Quality Parts,Customers Priority,Honest Operation,and Considerate Service",our business mainly focus on the distribution of electronic components. Line cards we deal with include Microchip,ALPS,ROHM,Xilinx,Pulse,ON,Everlight and Freescale. Main products comprise IC,Modules,Potentiometer,IC Socket,Relay,Connector.Our parts cover such applications as commercial,industrial, and automotives areas.

We are looking forward to setting up business relationship with you and hope to provide you with the best service and solution. Let us make a better world for our industry!



Contact us

Tel: +86-755-8981 8866 Fax: +86-755-8427 6832

Email & Skype: info@chipsmall.com Web: www.chipsmall.com

Address: A1208, Overseas Decoration Building, #122 Zhenhua RD., Futian, Shenzhen, China



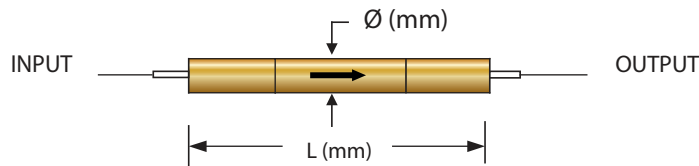
MINI POLARIZATION INSENSITIVE FIBER ISOLATOR (DUAL STAGE)

Mini OIDS Series

Product Description

Oplink's state of the art, mini polarization-insensitive isolators offer the smallest package size, 3.0×25mm, which saves 60% real estate comparing to standard isolators, with excellent performance such as super low insertion loss, high isolation, low polarization dependent loss (PDL), and low polarization mode dispersion. It also has a package option with 80µm reduced cladding fiber pigtail, which results in small bending radius and low bending losses.

Oplink mini isolator can sustain high optical power due to its optical path epoxy-free packaging. It is qualified to Telcordia GR-1221 standards.



Performance Specification

| Mini OIDS Series | Specifications | Unit |
|---|--|------|
| Operating Wavelength Range | 1310 ± 15 1480 ± 15 C-band : 1528 ~ 1564 L-band : 1570 ~ 1605 | nm |
| Insertion Loss (Max.) ^[1] | 0.5 | dB |
| Isolation (Min.) : (over operating wavelength range, 0~70°C, all SOP) | 40 | dB |
| Wavelength Dependent Loss (Max.) | 0.15 | dB |
| Return Loss (Input/Output Ports) | 55/50 | dB |
| Polarization Dependent Loss (PDL) (Max.) | 0.10 | dB |
| Polarization Mode Dispersion (PMD) (Max.) | 0.05 | ps |
| Maximum Power Handling | 2 | W |
| Operating Temperature | 0 to +70 | °C |
| Storage Temperature | -40 to +85 | °C |
| Fiber Type | Corning SMF-28 or Pure Mode RC SMF-28 | |
| Fiber Jacket | Corning SMF-28 : 250µm bare fiber Pure Mode RC SMF-28 : 80µm bare fiber | |
| Package Dimensions ^[3] | P3 : (Ø) 3.0 x (L) 25.0 | mm |

Notes:

^[1] The maximum IL is under all states of polarization and within the full operating temperature and wavelength ranges specified.

^[2] All the parameters are excluding connectors.

^[3] The mechanical tolerance should be +/-0.2mm on all package dimensions unless otherwise custom specified.

Features

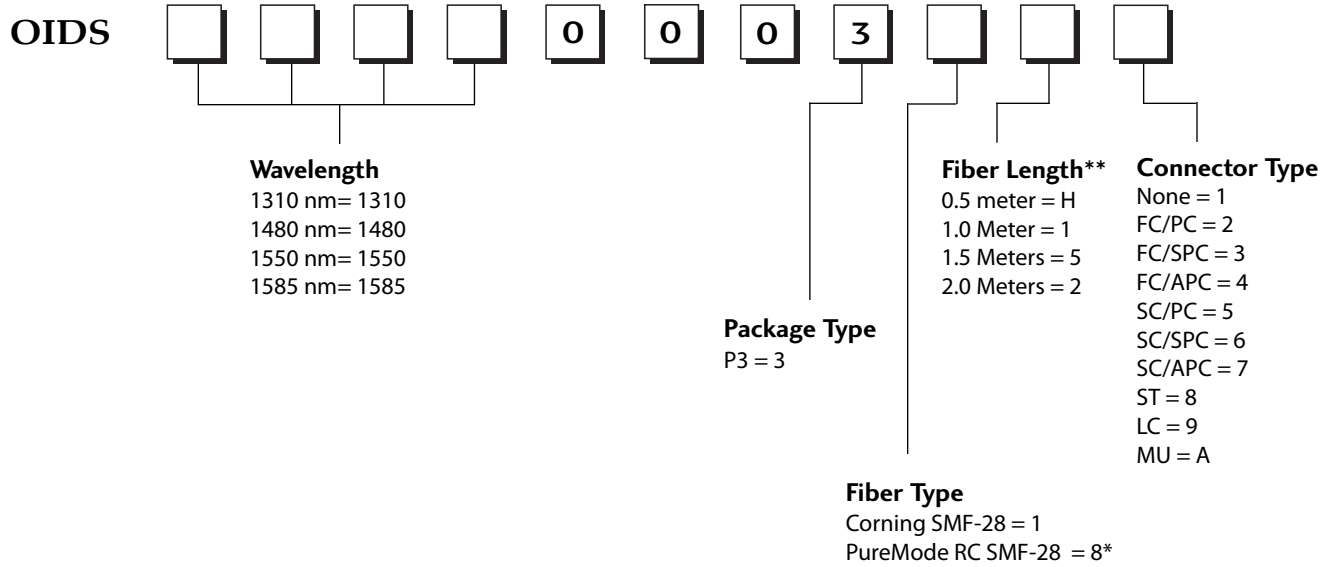
- ◆ Super Compact Size
- ◆ Low Insertion Loss
- ◆ High Isolation
- ◆ Low PMD
- ◆ High Power Handling
- ◆ Highly Stable & Reliable
- ◆ Epoxy-free Optical Path
- ◆ 80µm Fiber Pigtail Option

Applications

- ◆ EDFA & Raman Amplifiers
- ◆ Fiberoptic Instruments
- ◆ Fiberoptic Network Links
- ◆ Transmitters and Fiber Lasers

Ordering Information

Oplink can provide a remarkable range of customized optical solutions. For detail, please contact Oplink's OEM design team or account manager for your requirements and ordering information (510) 933-7200.



Note:

* no connector options for PureMode RC SMF-28 80µm fiber.

** The tolerance of fiber length is +/-0.1m. 1 meter is standard. The lead-time for special fiber length will be longer.