



Chipsmall Limited consists of a professional team with an average of over 10 year of expertise in the distribution of electronic components. Based in Hongkong, we have already established firm and mutual-benefit business relationships with customers from,Europe,America and south Asia,supplying obsolete and hard-to-find components to meet their specific needs.

With the principle of “Quality Parts,Customers Priority,Honest Operation,and Considerate Service”,our business mainly focus on the distribution of electronic components. Line cards we deal with include Microchip,ALPS,ROHM,Xilinx,Pulse,ON,Everlight and Freescale. Main products comprise IC,Modules,Potentiometer,IC Socket,Relay,Connector.Our parts cover such applications as commercial,industrial, and automotives areas.

We are looking forward to setting up business relationship with you and hope to provide you with the best service and solution. Let us make a better world for our industry!



Contact us

Tel: +86-755-8981 8866 Fax: +86-755-8427 6832

Email & Skype: info@chipsmall.com Web: www.chipsmall.com

Address: A1208, Overseas Decoration Building, #122 Zhenhua RD., Futian, Shenzhen, China



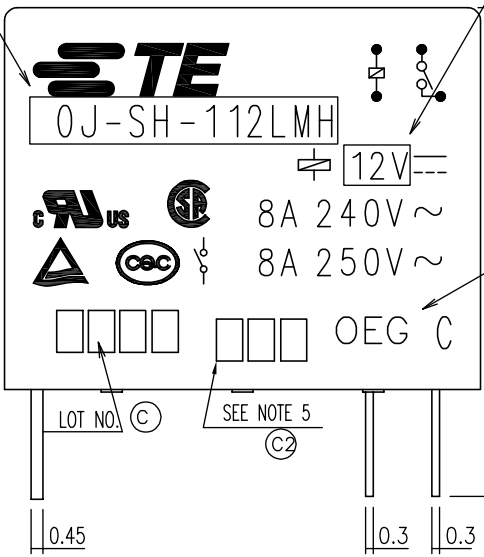
THIS DRAWING IS UNPUBLISHED. RELEASED FOR PUBLICATION
 © COPYRIGHT - By - TE CONNECTIVITY ALL RIGHTS RESERVED.

LOC	DIST	REVISIONS					
P	LTR	DESCRIPTION	DATE	DWN	APVD		
HB	-	C2	CHANGE LOGO&ADD LINE IDENTIFICATION	EC0-12-001771	21Aug2012	YS.H	BH.Y

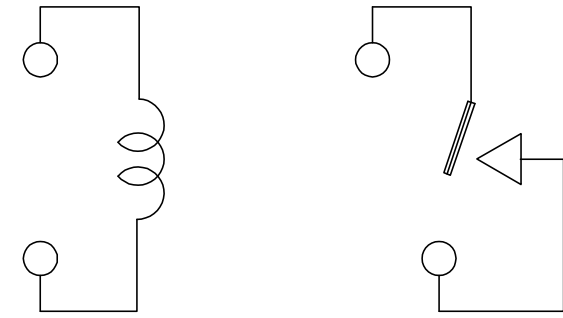
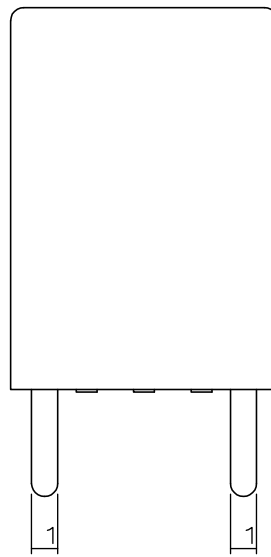


PART A

PART B



C:MADE IN CHINA



CONNECTION FIGURE

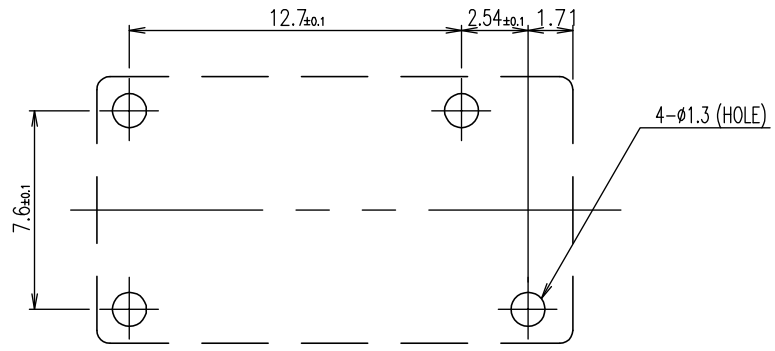
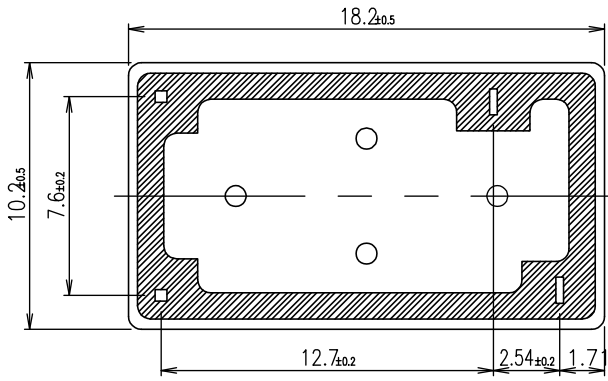


FIGURE FOR PRINTED CIRCUIT BOARD PROCESSING (BOTTOM VIEW)



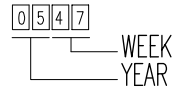
THIS DRAWING IS A CONTROLLED DOCUMENT.		DWN	H.Sasaki		TE Connectivity			
DIMENSIONS: mm		CHK	Y.Oikawa					
TOLERANCES UNLESS OTHERWISE SPECIFIED:		APVD	A.Nagai		NAME			
0 PLC ± - 1 PLC ± - 2 PLC ± - 3 PLC ± - 4 PLC ± - ANGLES ± -		PRODUCT SPEC	-		OJ-SH-LMH SPEC 000			
MATERIAL		FINISH	-		SIZE	CAGE CODE	DRAWING NO	RESTRICTED TO
-		-	-		A3	00779	G= 1461247	-
CUSTOMER DRAWING					SCALE	SHEET	REV	
-					5:1	1 of 2	C2	

THIS DRAWING IS UNPUBLISHED. RELEASED FOR PUBLICATION
 © COPYRIGHT - By - TE CONNECTIVITY ALL RIGHTS RESERVED.

LOC	DIST	REVISIONS					
		P	LTR	DESCRIPTION	DATE	DWN	APVD
HB	-		-	SEE SHEET 1	-	-	-

	PART STATUS	PART NO	DESCRIPTION	PACKAGE SPEC.	PART B	PART A	TYPE
(B1)	ACTIVE	1461247-3	OJ-SH-124LMH, 000	107-79010	24V	OJ-SH-124LMH	g
	ACTIVE	1419129-1	OJ-SH-118LMH, 000	107-79010	18V	OJ-SH-118LMH	f
	ACTIVE	9-1419128-8	OJ-SH-112LMH, 000	107-79010	12V	OJ-SH-112LMH	e
	ACTIVE	1461247-2	OJ-SH-109LMH, 000	107-79010	9V	OJ-SH-109LMH	d
	ACTIVE	1461247-1	OJ-SH-106LMH, 000	107-79010	6V	OJ-SH-106LMH	c
	ACTIVE	8-1419128-1	OJ-SH-105LMH, 000	107-79010	5V	OJ-SH-105LMH	b
(C2)	OBSOLETE	1461247-4	OJ-SH-103LMH, 000	107-79010	3V	OJ-SH-103LMH	a

RELAY TYPE


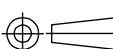
NOTES:
 (C2)(B1) 1.LOT NO. SYSTEM AS FOLLOWING:


(C2) 5.ADD LOT NO. SYSTEM AS FOLLOWING;
 I, DIGITS FOR DAY OF THE WEEK
 1...MONDAY IN THIS WEEK;
 2...TUESDAY IN THIS WEEK;

 7...SUNDAY IN THIS WEEK
 II, DIGITS FOR SHIFT OF THE DAY
 1...DAY SHIFT IN THIS DAY;
 2...NIGHT SHIFT IN THIS DAY;
 III, ONE CHARACTER DISTINGUISH THE LINE
 IDENTITY,
 SUCH AS: A,B.....Z

(C2) 2.TERMINAL DIMENSION IS BEFORE SOLDER DIP;
 (C2) 3.FOR THE TIN-PLATING OF THE PINS:
 +0.1mm FOR WIDTH,THICKNESS AND DIAMETER.
 +0.5mm FOR LENGTH.
 (C2) 4.MARKING FROM INK TO LASER.

		UV RESIN	SEAL (VENT HOLE)	16
		EPOXY RESIN	SEAL (BASE & BOBBIN)	15
		3UEW	MAGNETIC WIRE	14
94V-0		P.B.T	CASE	13
94V-0		P.B.T	BASE	12
94V-0		P.B.T	BOBBIN	11
	SOLDER DIP	C.P WIRE	COIL TERMINAL	10
94V-0		P.P.S	CARD	9
		Ag ALLOY	MOVABLE CONTACT	8
		Ag ALLOY	NO.CONTACT	7
		STEEL	HINGE SPRING	6
	SOLDER DIP	Cu ALLOY	NO.TERMINAL	5
	SOLDER DIP	Cu ALLOY	MOVABLE SPRING	4
	NIP	STEEL	CORE	3
	NIP	STEEL	ARMATURE	2
	NIP	STEEL	YOKE	1
INCOMBUSTIBILITY	TREATMENT	MATERIAL	DESCRIPTION	ITEM

THIS DRAWING IS A CONTROLLED DOCUMENT.		DWN	H.Sasaki		 TE Connectivity
		CHK	Y.Oikawa		
		APVD	A.Nagai		
		PRODUCT SPEC			
DIMENSIONS: mm		TOLERANCES UNLESS OTHERWISE SPECIFIED:		NAME	
		0 PLC	± -	OJ-SH-LMH SPEC 000 -	
		1 PLC	± -		
		2 PLC	± -		
		3 PLC	± -		
MATERIAL		4 PLC	± -	SIZE	
		ANGLES	± -	CAGE CODE	
		FINISH	-	DRAWING NO	
				A3 00779	
				G= 1461247	
				RESTRICTED TO	
				-	
		WEIGHT	-	SCALE	
				5:1	
				SHEET	
				2 of 2	
				REV	
				C2	
				CUSTOMER DRAWING	