



Chipsmall Limited consists of a professional team with an average of over 10 year of expertise in the distribution of electronic components. Based in Hongkong, we have already established firm and mutual-benefit business relationships with customers from,Europe,America and south Asia,supplying obsolete and hard-to-find components to meet their specific needs.

With the principle of “Quality Parts,Customers Priority,Honest Operation,and Considerate Service”,our business mainly focus on the distribution of electronic components. Line cards we deal with include Microchip,ALPS,ROHM,Xilinx,Pulse,ON,Everlight and Freescale. Main products comprise IC,Modules,Potentiometer,IC Socket,Relay,Connector.Our parts cover such applications as commercial,industrial, and automotives areas.

We are looking forward to setting up business relationship with you and hope to provide you with the best service and solution. Let us make a better world for our industry!



Contact us

Tel: +86-755-8981 8866 Fax: +86-755-8427 6832

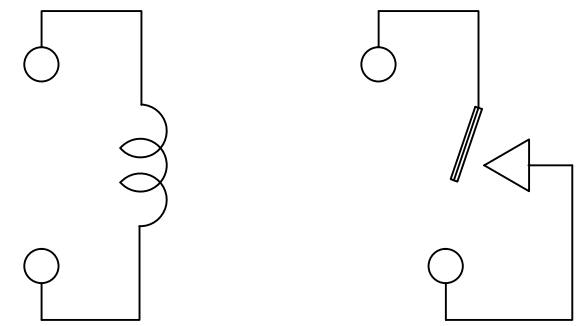
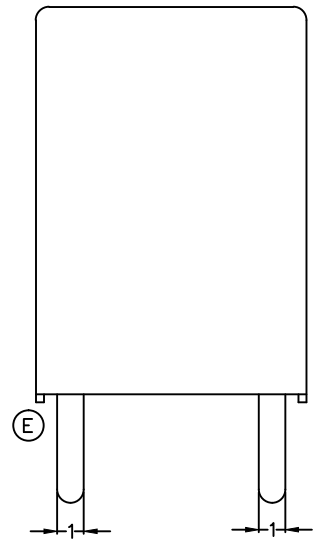
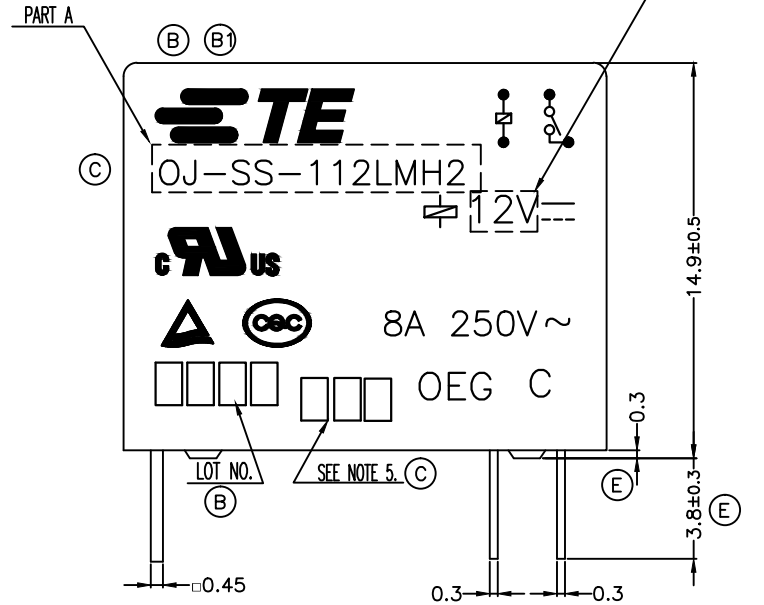
Email & Skype: info@chipsmall.com Web: www.chipsmall.com

Address: A1208, Overseas Decoration Building, #122 Zhenhua RD., Futian, Shenzhen, China



THIS DRAWING IS UNPUBLISHED. RELEASED FOR PUBLICATION
 © COPYRIGHT - By - TE CONNECTIVITY ALL RIGHTS RESERVED.

LOC	DIST	REVISIONS			
P	LTR	DESCRIPTION	DATE	DWN	APVD
HB	-				
E		REMOVED RIB ON BASE TO CASE ECO-15-011310	18Dec2015	HYS	CHL



CONNECTION FIGURE

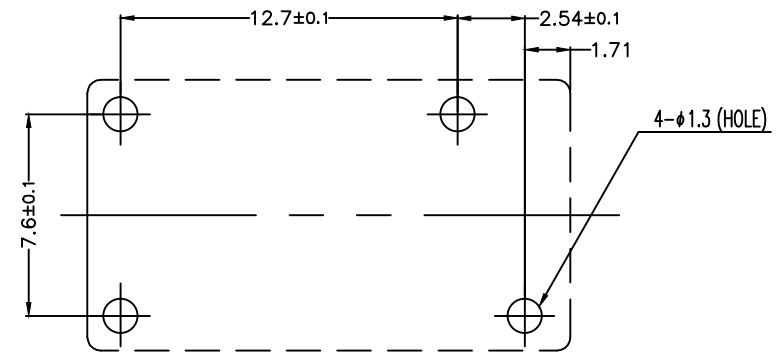


FIGURE FOR PRINTED CIRCUIT BOARD PROCESSING (BOTTOM VIEW)

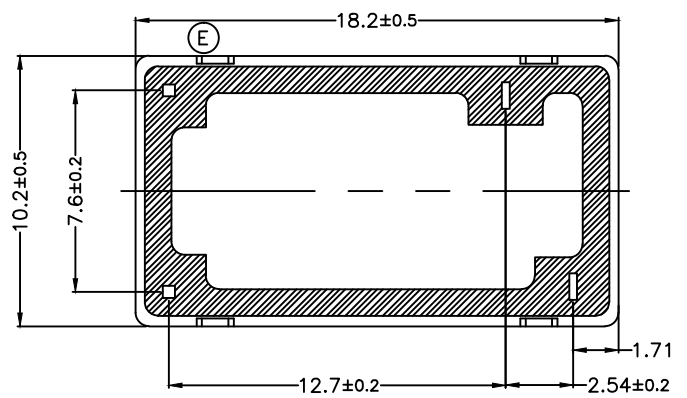


Diagram dimension	Tolerance
0.99mm max.	±0.1mm
1 - 2.99mm	±0.2mm
3mm min.	±0.3mm

THIS DRAWING IS A CONTROLLED DOCUMENT.		DWN	Hu.Xieli	-	TE TE Connectivity		
DIMENSIONS: mm		CHK	Mingjung.Ho	-			
TOLERANCES UNLESS OTHERWISE SPECIFIED:		APVD	Mak.simon	-	NAME		
0 PLC ± -		PRODUCT SPEC		-			
1 PLC ± -		SEE PRODUCT SPEC		OJ-KMH2 SPEC.000 CUSTOMER DRAWING			
2 PLC ± -		APPLICATION SPEC		-			
3 PLC ± -		SIZE	A3	CAGE CODE	00779	DRAWING NO	1721260
4 PLC ± -		WEIGHT	-	RESTRICTED TO		-	
ANGLES ± -		CUSTOMER DRAWING		SCALE	5:1	SHEET	1 OF 2
FINISH		-		REV	E		

THIS DRAWING IS UNPUBLISHED. RELEASED FOR PUBLICATION - , - .
 © COPYRIGHT - By - TE CONNECTIVITY ALL RIGHTS RESERVED.

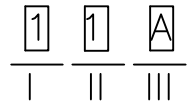
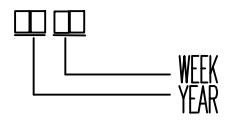
LOC	DIST	REVISIONS					
HB	-	P	LTR	DESCRIPTION	DATE	DWN	APVD
		-		SEE SHEET 1	-	-	-

107-79010	1-1721260-2	OJ-SH-124LMH2	24V	OJ-SH-124LMH2	l	Ⓞ
	1-1721260-1	OJ-SH-112LMH2	12V	OJ-SH-112LMH2	k	Ⓞ
	1-1721260-0	OJ-SH-109LMH2	9V	OJ-SH-109LMH2	j	Ⓞ Ⓞ
	1721260-9	OJ-SH-106LMH2	6V	OJ-SH-106LMH2	i	Ⓞ Ⓞ
	1721260-8	OJ-SH-105LMH2	5V	OJ-SH-105LMH2	h	Ⓞ
	1721260-7	OJ-SH-103LMH2	3V	OJ-SH-103LMH2	g	Ⓞ Ⓞ
	1721260-6	OJ-SS-124LMH2	24V	OJ-SS-124LMH2	f	
	1721260-5	OJ-SS-112LMH2	12V	OJ-SS-112LMH2	e	
	1721260-4	OJ-SS-109LMH2	9V	OJ-SS-109LMH2	d	Ⓞ
	1721260-3	OJ-SS-106LMH2	6V	OJ-SS-106LMH2	c	
	1721260-2	OJ-SS-105LMH2	5V	OJ-SS-105LMH2	b	Ⓞ
	1721260-1	OJ-SS-103LMH2	3V	OJ-SS-103LMH2	a	
	PACKAGE SPEC	TE PART NO	DESCRIPTION	PART B	PART A	TYPE

RELAY TYPE

Ⓞ NOTES:

1. LOT NO. SYSTEM AS FOLLOWING: Ⓞ 5. ADD LOT NO. SYSTEM AS FOLLOWING;



I, DIGITS FOR DAY OF THE WEEK
 1...MONDAY IN THIS WEEK;
 2...TUESDAY IN THIS WEEK;

 7...SUNDAY IN THIS WEEK
 II, DIGITS FOR SHIFT OF THE DAY
 1...DAY SHIFT IN THIS DAY;
 2...NIGHT SHIFT IN THIS DAY;
 III, ONE CHARACTER DISTINGUISH THE LINE IDENTITY,
 SUCH AS: A,B,....Z

- Ⓞ 2. TERMINAL DIMENSION IS BEFORE SOLDER DIP;
- Ⓞ 3. FOR THE TIN-PLATING OF THE PINS:
 +0.1mm FOR WIDTH, THICKNESS AND DIAMETER.
 +0.5mm FOR LENGTH.
- Ⓞ 4. MARKING FROM INK TO LASER AND USING WELDED CONTACT

		UV RESIN	UV SEAL	16
		EPOXY RESIN	SEAL (BASE & BOBBIN)	15
		3UEW	MAGNETIC WIRE	14
UL94V-0		P.B.T	CASE	13
UL94V-0		P.B.T	BASE	12
UL94V-0		P.B.T	BOBBIN	11
	SOLDER DIP	C.P WIRE	COIL TERMINAL	10
UL94V-0		P.P.S	CARD	9
		AgSnOInO	MOVABLE CONTACT	8
		AgSnOInO	NO.CONTACT	7
		STEEL	HINGE SPRING	6
	SOLDER DIP	Cu ALLOY	NO.TERMINAL	5
	SOLDER DIP	Cu ALLOY	MOVABLE SPRING	4
	NIP	STEEL	CORE	3
	NIP	STEEL	ARMATURE	2
	NIP	STEEL	YOKE	1
INCOMBUSTIBILITY	TREATMENT	MATERIAL	DESCRIPTION	ITEM

THIS DRAWING IS A CONTROLLED DOCUMENT.		DWN	Hu.Xieli	-												
DIMENSIONS: mm		CHK	Mingjung.Ho	-												
TOLERANCES UNLESS OTHERWISE SPECIFIED:		APVD	Mak.simon	-												
<table border="1"> <tr><td>0 PLC</td><td>± -</td></tr> <tr><td>1 PLC</td><td>± -</td></tr> <tr><td>2 PLC</td><td>± -</td></tr> <tr><td>3 PLC</td><td>± -</td></tr> <tr><td>4 PLC</td><td>± -</td></tr> <tr><td>ANGLES</td><td>± -</td></tr> </table>		0 PLC	± -	1 PLC	± -	2 PLC	± -	3 PLC	± -	4 PLC	± -	ANGLES	± -	PRODUCT SPEC	NAME	
0 PLC	± -															
1 PLC	± -															
2 PLC	± -															
3 PLC	± -															
4 PLC	± -															
ANGLES	± -															
MATERIAL		APPLICATION SPEC	OJ-KMH2 SPEC.000 CUSTOMER DRAWING													
FINISH		WEIGHT	SIZE	RESTRICTED TO												
			A3													
		CUSTOMER DRAWING	CAGE CODE	DRAWING NO												
			00779	1721260												
		SCALE	SHEET	REV												
		5:1	2 OF 2	E												