



Chipsmall Limited consists of a professional team with an average of over 10 year of expertise in the distribution of electronic components. Based in Hongkong, we have already established firm and mutual-benefit business relationships with customers from,Europe,America and south Asia,supplying obsolete and hard-to-find components to meet their specific needs.

With the principle of “Quality Parts,Customers Priority,Honest Operation,and Considerate Service”,our business mainly focus on the distribution of electronic components. Line cards we deal with include Microchip,ALPS,ROHM,Xilinx,Pulse,ON,Everlight and Freescale. Main products comprise IC,Modules,Potentiometer,IC Socket,Relay,Connector.Our parts cover such applications as commercial,industrial, and automotives areas.

We are looking forward to setting up business relationship with you and hope to provide you with the best service and solution. Let us make a better world for our industry!



## Contact us

Tel: +86-755-8981 8866 Fax: +86-755-8427 6832

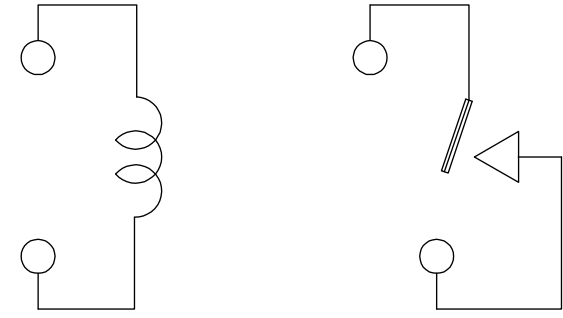
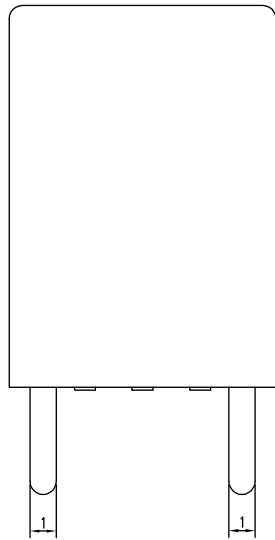
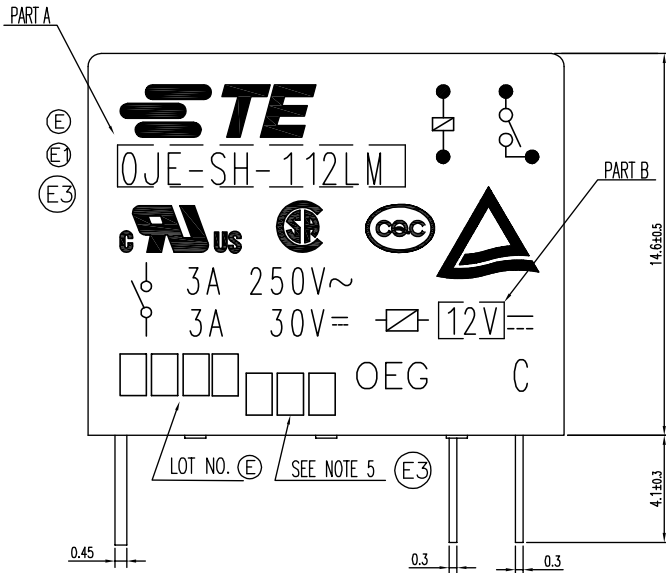
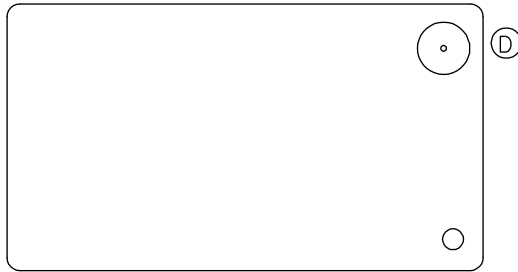
Email & Skype: info@chipsmall.com Web: www.chipsmall.com

Address: A1208, Overseas Decoration Building, #122 Zhenhua RD., Futian, Shenzhen, China



THIS DRAWING IS UNPUBLISHED. RELEASED FOR PUBLICATION  
 © COPYRIGHT - By - TE CONNECTIVITY ALL RIGHTS RESERVED.

LOC		DIST		REVISIONS			
P	LTR	DESCRIPTION		DATE	DWN	APVD	
	E3	CHANGE LOGO&ADD LINE IDENTIFICATION ECO-12-001771		20Aug2012	YS.H	BH.Y	



CONNECTION FIGURE

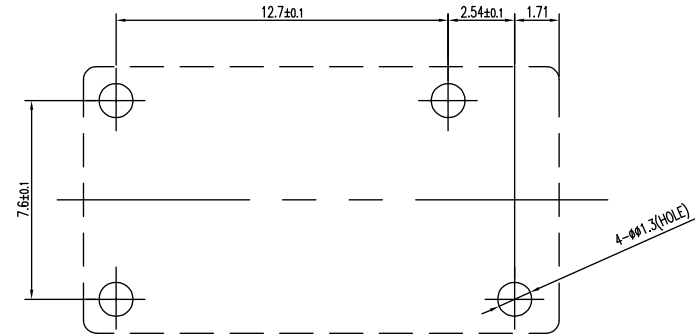
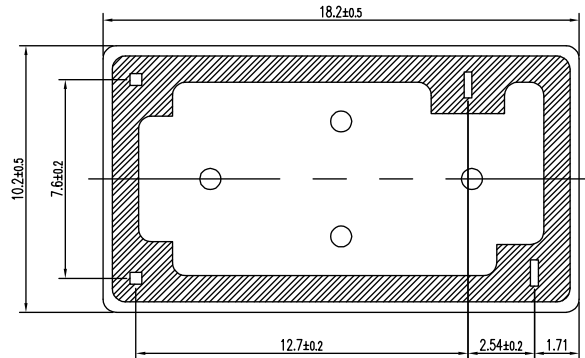


FIGURE FOR PRINTED CIRCUIT BOARD PROCESSING (BOTTOM VIEW)



THIS DRAWING IS A CONTROLLED DOCUMENT.		DWN	H.SASAKI		TE Connectivity	
DIMENSIONS: mm		CHK	Y.OIKAWA			
TOLERANCES UNLESS OTHERWISE SPECIFIED:		APVD	A.NAGAI		NAME	
0 PLC ± - 1 PLC ± - 2 PLC ± - 3 PLC ± - 4 PLC ± - ANGLES ± -		PRODUCT SPEC	-		OJE-SS-LM CUSTOMER DRAWING	
MATERIAL		FINISH	-		SIZE	RESTRICTED TO
-		-	-		A3	-
		WEIGHT	-		CAGE CODE	DRAWING NO
		-	-		00779	C=1461035
		CUSTOMER DRAWING			SCALE	SHEET
		-			5:1	1 of 2
					REV	E3

THIS DRAWING IS UNPUBLISHED. RELEASED FOR PUBLICATION  
 © COPYRIGHT - By - ALL RIGHTS RESERVED.

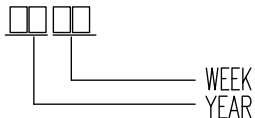
LOC	DIST	REVISIONS					
		P	LTR	DESCRIPTION	DATE	DWN	APVD
HB	-		-	SEE SHEET 1	-	-	-

(E3) (D)	1461035-2	OJE-SS-118LM	107-79010	18V	OJE-SS-118LM	g
(D)	5-1419144-0	OJE-SS-103LM	107-79010	3V	OJE-SS-103LM	f
	6-1419128-7	OJE-SS-124LM	107-79010	24V	OJE-SS-124LM	e
	4-1419128-6	OJE-SS-112LM	107-79010	12V	OJE-SS-112LM	d
	3-1419128-9	OJE-SS-109LM	107-79010	9V	OJE-SS-109LM	c
(E3)	1461035-1	OJE-SS-106LM	107-79010	6V	OJE-SS-106LM	b
	3-1419128-0	OJE-SS-105LM	107-79010	5V	OJE-SS-105LM	a
	PART NO	TYPE NAME	PACKAGE SPEC	PART B	PART A	TYPE

RELAY TYPE

(E) (D) NOTES:

1. LOT NO. SYSTEM AS FOLLOWING:

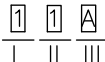


(E3) 2. TERMINAL DIMENSION IS BEFORE SOLDER DIP;

(E3) 3. FOR THE TIN-PLATING OF THE PINS:  
 +0.1mm FOR WIDTH, THICKNESS AND DIAMETER.  
 +0.5mm FOR LENGTH.

(E3) 4. MARKING FROM INK TO LASER.

(E3) 6. ADD LOT NO. SYSTEM AS FOLLOWING;



I, DIGITS FOR DAY OF THE WEEK  
 1...MONDAY IN THIS WEEK;  
 2...TUESDAY IN THIS WEEK;  
 .....  
 7...SUNDAY IN THIS WEEK  
 II, DIGITS FOR SHIFT OF THE DAY  
 1...DAY SHIFT IN THIS DAY;  
 2...NIGHT SHIFT IN THIS DAY;  
 III, ONE CHARACTER DISTINGUISH THE LINE IDENTITY, SUCH AS: A,B,.....Z

Diagram dimension	Tolerance
0.99mm max.	±0.1mm
1 - 2.99mm	±0.2mm
3mm min.	±0.3mm

		EPOXY RESIN	SEAL (BASE & BOBBIN)	15
		3UEW	MAGNETIC WIRE	14
94V-0		P.B.T	CASE	13
94V-0		P.B.T	BASE	12
94V-0		P.B.T	BOBBIN	11
	SOLDER DIP	C.P WIRE	COIL TERMINAL	10
94V-0		P.P.S	CARD	9
		Ag	MOVABLE CONTACT	8
		Ag	NO.CONTACT	7
		STEEL	HINGE SPRING	6
	SOLDER DIP	Cu ALLOY	NO.TERMINAL	5
	SOLDER DIP	Cu ALLOY	MOVABLE SPRING	4
	NIP	STEEL	CORE	3
	NIP	STEEL	ARMATURE	2
	NIP	STEEL	YOKE	1
INCOMBUSTIBILITY	TREATMENT	MATERIAL	DESCRIPTION	ITEM

THIS DRAWING IS A CONTROLLED DOCUMENT.		DWN	H.SASAKI	-	
DIMENSIONS: mm		CHK	Y.OIKAWA	-	
TOLERANCES UNLESS OTHERWISE SPECIFIED:		APVD	A.NAGAI	-	
	0 PLC	± -	NAME		
	1 PLC	± -	OJE-SS-LM CUSTOMER DRAWING		
	2 PLC	± -	SIZE	CAGE CODE	DRAWING NO
	3 PLC	± -	A3	00779	C=1461035
4 PLC	± -	APPLICATION SPEC	RESTRICTED TO		
4 PLC ANGLES	± -	WEIGHT	-		
MATERIAL	FINISH	CUSTOMER DRAWING			
		SCALE	5:1	SHEET 2 of 2	
		REV	E3		