



Chipsmall Limited consists of a professional team with an average of over 10 year of expertise in the distribution of electronic components. Based in Hongkong, we have already established firm and mutual-benefit business relationships with customers from,Europe,America and south Asia,supplying obsolete and hard-to-find components to meet their specific needs.

With the principle of “Quality Parts,Customers Priority,Honest Operation,and Considerate Service”,our business mainly focus on the distribution of electronic components. Line cards we deal with include Microchip,ALPS,ROHM,Xilinx,Pulse,ON,Everlight and Freescale. Main products comprise IC,Modules,Potentiometer,IC Socket,Relay,Connector.Our parts cover such applications as commercial,industrial, and automotives areas.

We are looking forward to setting up business relationship with you and hope to provide you with the best service and solution. Let us make a better world for our industry!



## Contact us

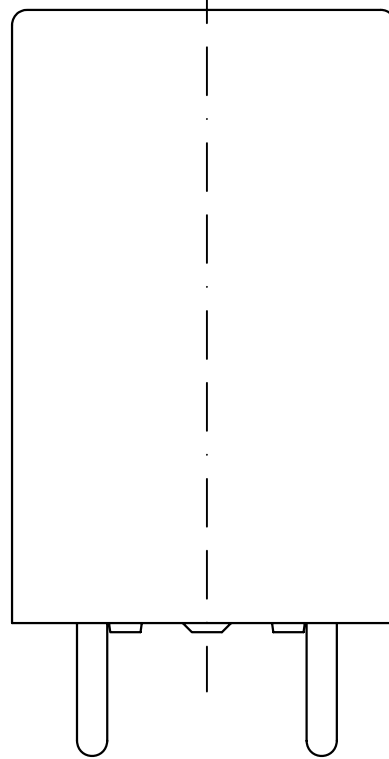
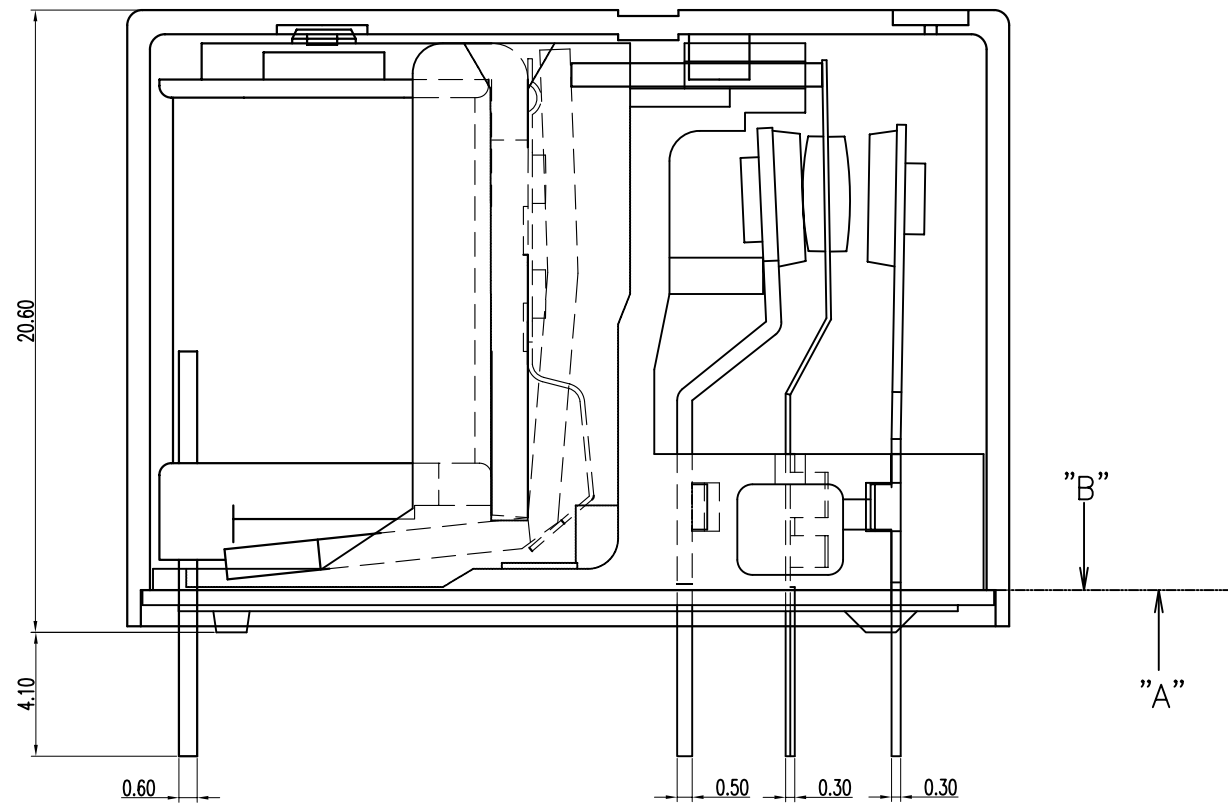
Tel: +86-755-8981 8866 Fax: +86-755-8427 6832

Email & Skype: info@chipsmall.com Web: www.chipsmall.com

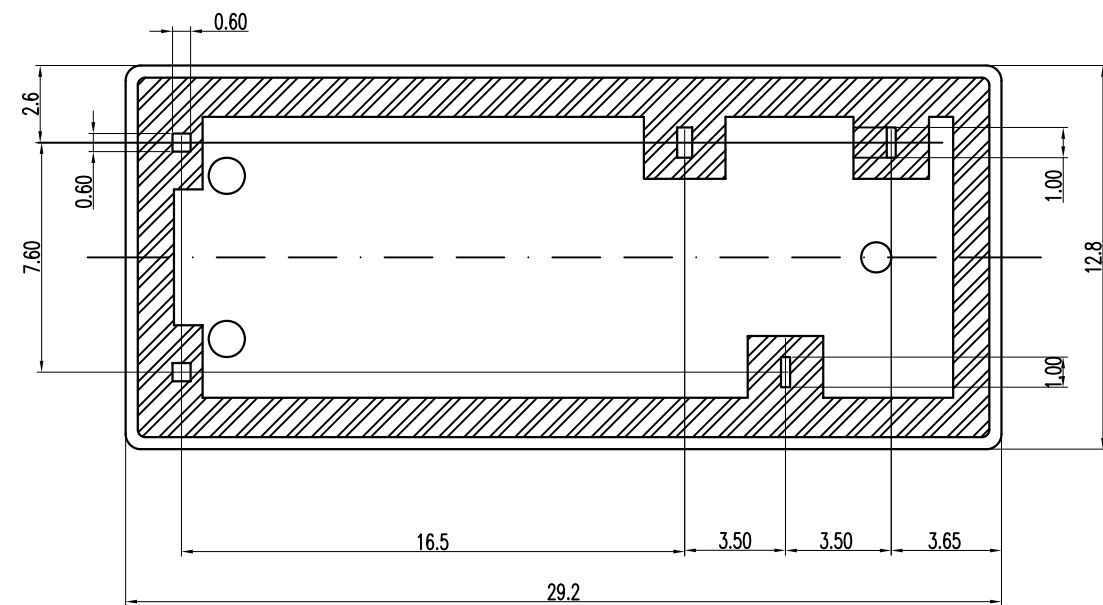
Address: A1208, Overseas Decoration Building, #122 Zhenhua RD., Futian, Shenzhen, China



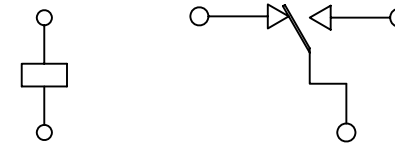
LOC		DIST		REVISIONS					
P	LTR	DESCRIPTION	ECO	DATE	DWN	APVD			
HB	—	A	Release	03APR06	Y.X	N.F			
		B	MARKING CHANGE	25MAY07	XN.Z	W.Y			



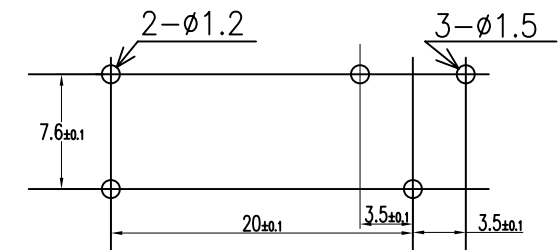
NOTE.  
 1.PART "B" SHOULD FIT PART "A" AFTER CASE INSERTION PROCESS



CONNECTION DIAGRAM  
 (BOTTOM VIEW)



DRILLING DIAGRAM(2/1)  
 (BOTTOM VIEW)

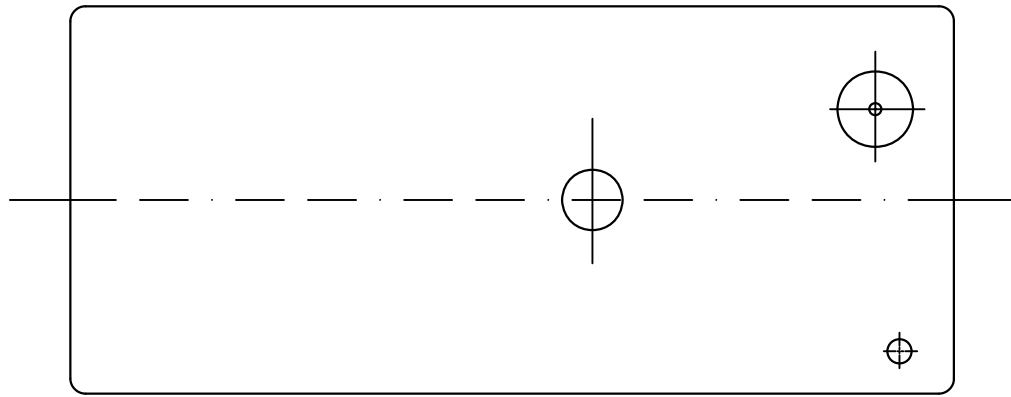


DIMENSION TOLERANCE	
MAX .1mm	±0.1
1mm~MAX.3mm	±0.2
MIN .3mm	±0.3

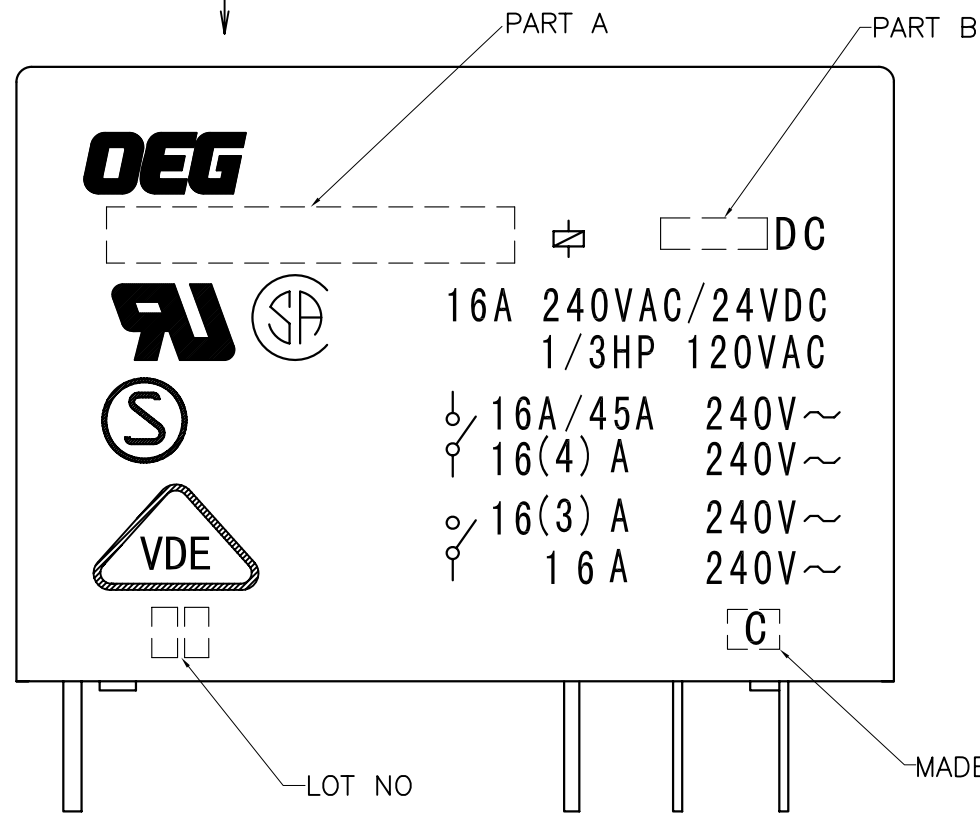
THIS DRAWING IS A CONTROLLED DOCUMENT.		DWN Y.Xiao	Tyco Electronics Corporation ShenZhen	
DIMENSIONS: mm		CHK N.Funayama	NAME	
TOLERANCES UNLESS OTHERWISE SPECIFIED:		APVD CH.HSU	OMIH(1T) SPEC 300 CUSTOMER DRAWING	
0 PLC ± -		PRODUCT SPEC	SIZE CAGE CODE DRAWING NO RESTRICTED TO	
1 PLC ± -		APPLICATION SPEC	A3 00779 C-8-1440000-3	
2 PLC ± -		—	SCALE SHEET REV	
3 PLC ± -		—	4:1 1 of 3 B	
4 PLC ± -		WEIGHT		
ANGLES ± -		CUSTOMER DRAWING		
FINISH				

LOC	DIST	REVISIONS					
		P	LTR	DESCRIPTION	DATE	DWN	APVD
HB	-		-	-			

VIEW "C"



"C"

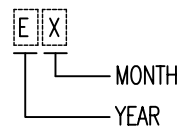


n	OMIH-SS-148D,300	9-1440000-1	OMIH-SS-148D	48V
m	OMIH-SS-124L,300	9-1440000-0	OMIH-SS-124L	24V
l	OMIH-SS-124D,300	8-1440000-8	OMIH-SS-124D	24V
k	OMIH-SS-112L,300	8-1440000-5	OMIH-SS-112L	12V
j	OMIH-SS-112D,300	8-1440000-3	OMIH-SS-112D	12V
i	OMIH-SS-109L,300	8-1440000-1	OMIH-SS-109L	9V
h	OMIH-SS-109D,300	1-1461022-1	OMIH-SS-109D	9V
g	OMIH-SS-106L,300	1-1461022-0	OMIH-SS-106L	6V
f	OMIH-SS-106D,300	1461022-8	OMIH-SS-106D	6V
e	OMIH-SS-105L,300	1461022-6	OMIH-SS-105L	5V
d	OMIH-SS-105D,300	1461022-4	OMIH-SS-105D	5V
c	OMIH-SH-124L,300	1461022-2	OMIH-SH-124L	24V
b	OMIH-SH-105L,300	1-1419153-9	OMIH-SH-105L	5V
a	OMIH-SH-105D,300	6-1440000-6	OMIH-SH-105D	5V
No.	EC TYPE NAE	AMP PART NAE	PART A	PART B

RELAY TYPE

NOTES

1.LOT NUMBERING SYSTEM AS FOLLOWS:



THIS DRAWING IS A CONTROLLED DOCUMENT.		DWN Y.Xiao	Tyco Electronics Corporation ShenZhen		
DIMENSIONS: mm		CHK N.Funayama	NAME OMIH(1T) SPEC 300 CUSTOMER DRAWING		
TOLERANCES UNLESS OTHERWISE SPECIFIED: 0 PLC ± - 1 PLC ± - 2 PLC ± - 3 PLC ± - 4 PLC ± - ANGLES ± -		APVD CH.HSU	PRODUCT SPEC		
MATERIAL		APPLICATION SPEC	SIZE A3	CAGE CODE 00779	DRAWING NO C=8-1440000-3
FINISH		WEIGHT	RESTRICTED TO		
CUSTOMER DRAWING			SCALE 4:1	SHEET 2 of 3	REV B

THIS DRAWING IS UNPUBLISHED.

RELEASED FOR PUBLICATION

-. - .

© COPYRIGHT - BY TYCO ELECTRONICS CORPORATION. ALL RIGHTS RESERVED.

LOC  
HB

DIST  
-

REVISIONS

P	LTR	DESCRIPTION	DATE	DWN	APVD
-	-		-	-	-

n	m	l	k	j	i	h	g	f	e	d	c	b	a	INCOMBUSTIBILITY	TREATMENT	MATERIAL	DESCRIPTION	ITEM
AR	AR	AR	AR	AR	AR	AR	AR	AR	AR	AR	AR	AR	AR			UV RESIN	UV SEAL	16
1	1	1	1	1	1	1	1	1	1	1	1	1	1			EPOXY RESIN	SEAL	15
1	1	1	1	1	1	1	1	1	1	1	1	1	1	UL94 V-0		PBT	CASE	14
AR	AR	AR	AR	AR	AR	AR	AR	AR	AR	AR	AR	AR	AR			UEW	MAGNETIC WIRE	13
1	1	1	1	1	1	1	1	1	1	1	1	1	1	CLASS E		PET	BASE	12
1	1	1	1	1	1	1	1	1	1	1	1	1	1	UL94 V-0		PBT	BOBBIN	11
2	2	2	2	2	2	2	2	2	2	2	2	2	2		SOLDER DIP	CP WIRE	COIL TERMINAL	10
1	1	1	1	1	1	1	1	1	1	1	1	1	1	UL94 V-0		PPS	CARD	9
1	1	1	1	1	1	1	1	1	1	1	1	1	1			Ag ALLOY	MOVABLE CONTACT	8
1	1	1	1	1	1	1	1	1	1	1	1	1	1			Ag ALLOY	STATIONARY CONTACT	7
1	1	1	1	1	1	1	1	1	1	1	1	1	1			Cu ALLOY	HINGE SPRING	6
1	1	1	1	1	1	1	1	1	1	1	1	1	1		SOLDER DIP	Cu ALLOY	STATIONARY TERMINAL	5
1	1	1	1	1	1	1	1	1	1	1	1	1	1		SOLDER DIP	Cu ALLOY	MOVABLE SPRING	4
1	1	1	1	1	1	1	1	1	1	1	1	1	1			STEEL	CORE	3
1	1	1	1	1	1	1	1	1	1	1	1	1	1			STEEL	ARMATURE	2
1	1	1	1	1	1	1	1	1	1	1	1	1	1			STEEL	YOKE	1

THIS DRAWING IS A CONTROLLED DOCUMENT.

DWN Y.Xiao

CHK N.Funayama

APVD CH.HSU

PRODUCT SPEC

APPLICATION SPEC

WEIGHT -

CUSTOMER DRAWING

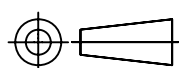
Tyco Electronics Corporation  
ShenZhen

NAME  
OMIH(1T) SPEC 300 CUSTOMER DRAWING

SIZE A3 CAGE CODE 00779 DRAWING NO C-8-1440000-3 RESTRICTED TO -

SCALE 4:1 SHEET 3 of 3 REV B

DIMENSIONS:  
mm



TOLERANCES UNLESS OTHERWISE SPECIFIED:

0 PLC	± -
1 PLC	± -
2 PLC	± -
3 PLC	± -
4 PLC	± -
ANGLES	± -

FINISH -