



Chipsmall Limited consists of a professional team with an average of over 10 year of expertise in the distribution of electronic components. Based in Hongkong, we have already established firm and mutual-benefit business relationships with customers from,Europe,America and south Asia,supplying obsolete and hard-to-find components to meet their specific needs.

With the principle of “Quality Parts,Customers Priority,Honest Operation,and Considerate Service”,our business mainly focus on the distribution of electronic components. Line cards we deal with include Microchip,ALPS,ROHM,Xilinx,Pulse,ON,Everlight and Freescale. Main products comprise IC,Modules,Potentiometer,IC Socket,Relay,Connector.Our parts cover such applications as commercial,industrial, and automotives areas.

We are looking forward to setting up business relationship with you and hope to provide you with the best service and solution. Let us make a better world for our industry!



Contact us

Tel: +86-755-8981 8866 Fax: +86-755-8427 6832

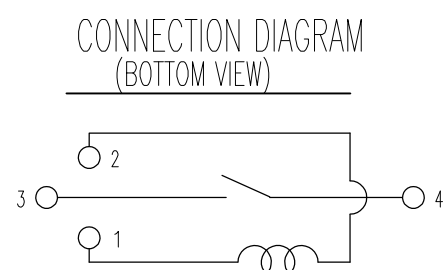
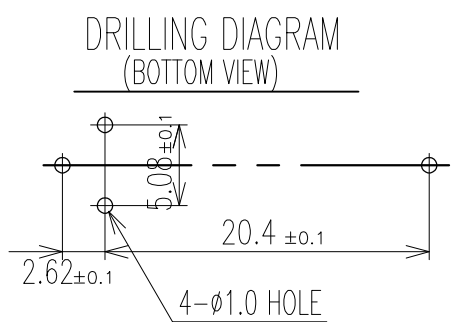
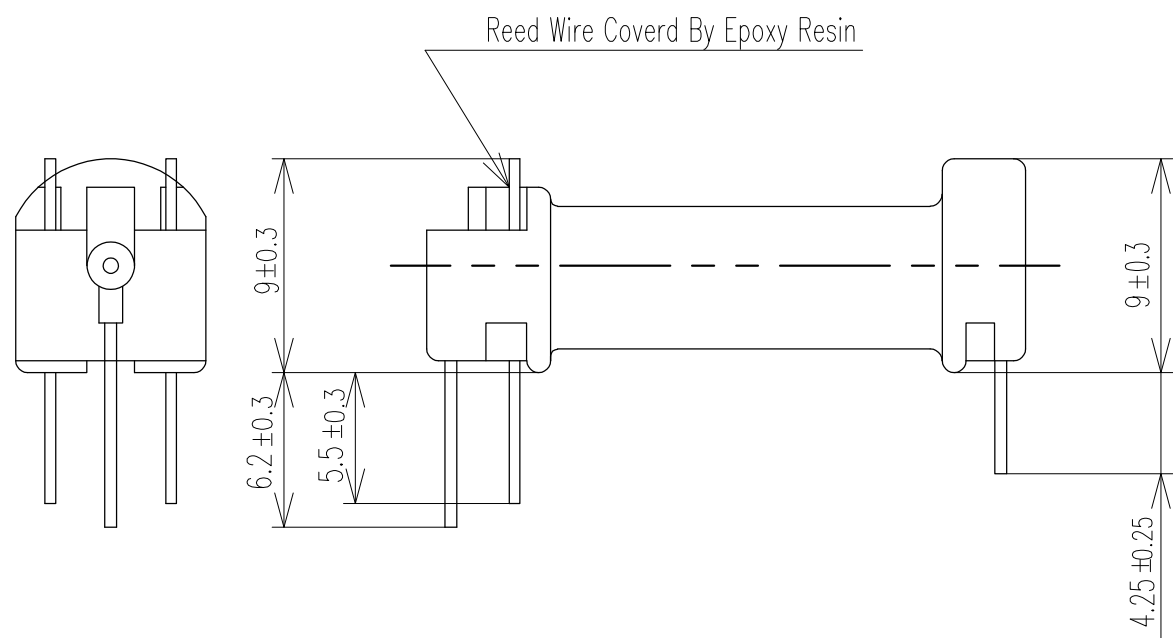
Email & Skype: info@chipsmall.com Web: www.chipsmall.com

Address: A1208, Overseas Decoration Building, #122 Zhenhua RD., Futian, Shenzhen, China



P	LTR	DESCRIPTION	DATE	DWN	APVD
G1		REVISED PER ECO-11-005140	29MAR11	RK	HMR

DIMENTION TOLERANCE	
Max. 1mm	± 0.1
1mm~Max.3mm	± 0.2
Min. 3mm	± 0.3

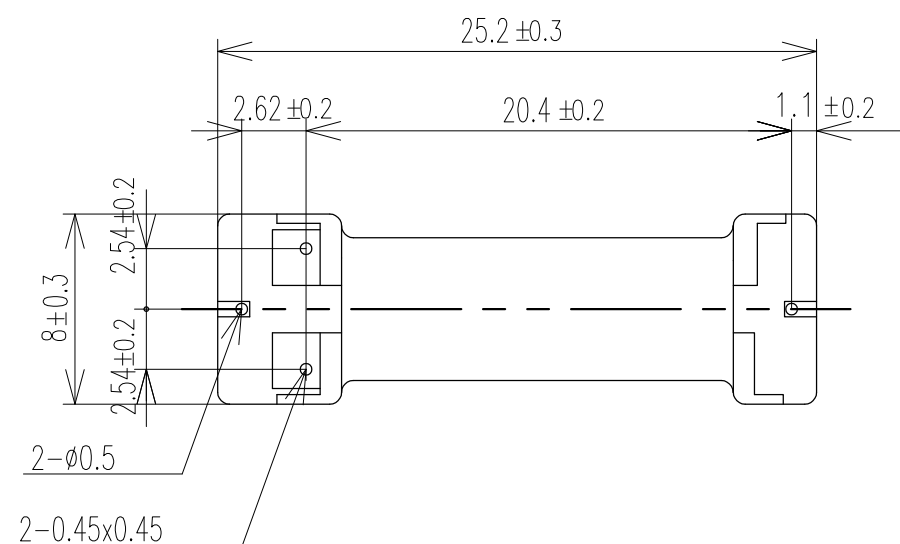


1,2:COIL TERMINAL
3,4:REED TERMINAL

Ⓕ	OBSOLETE	1-1440000-6	OMR-124H	l
Ⓖ	OBSOLETE	2-1419145-9	OMR-124F	k
	SUPERSEDED BY 2-1440000-6	1-1440000-5	OMR-112H	j
	OBSOLETE	1-1440000-2	OMR-109H	i
	SUPERSEDED BY 1649778-1	1-1440000-1	OMR-108H	h
	SUPERSEDED BY 1-1461074-4	1440000-9	OMR-106H	g
	SUPERSEDED BY 2-1440000-2	1440000-8	OMR-105H	f
	OBSOLETE	2-1419131-6	OMR-112F	e
	OBSOLETE	2-1419145-8	OMR-109F	d
	OBSOLETE	2-1419131-0	OMR-108F	c
	SUPERSEDED BY 1649777-1	1-1419131-4	OMR-105F	b
	OBSOLETE	1-1419131-3	OMR-103H	a
	PART STATUS	PART NO	DESCRIPTION	TYPE

Ⓔ

RELAY TYPE



		EPOXY RESIN	RESIN	6
		10VA TYPE	REED SWITCH	5
		POLYESTER	TAPE	4
	SOLDER DIP	HCP WIRE	COIL TERMINAL	3
		3UEW	COIL WIRE	2
UL 94V-0		PBT	BOBBIN	1
INCOMBUSTIBILITY	TREATMENT	MATERIAL	DESCRIPTION	ITEM

DIMENSIONS: mm	TOLERANCES UNLESS OTHERWISE SPECIFIED: 0 PLC ± 1 PLC ± 2 PLC ± 3 PLC ± 4 PLC ± ANGLES ±	DWN	H.SASAKI			
		CHK	Y.OIKAWA			
MATERIAL SEE MATERIAL TABLE	FINISH	APVD	A.NAGAI		NAME	OMR-1P-H
		PRODUCT SPEC			APPLICATION SPEC	
		WEIGHT	A3	CAGE CODE	00779	
		CUSTOMER DRAWING	DRAWING NO		1-1419131-3	
		SCALE	3:1	SHEET	1 OF 1	
				REV	G1	