



Chipsmall Limited consists of a professional team with an average of over 10 year of expertise in the distribution of electronic components. Based in Hongkong, we have already established firm and mutual-benefit business relationships with customers from,Europe,America and south Asia,supplying obsolete and hard-to-find components to meet their specific needs.

With the principle of “Quality Parts,Customers Priority,Honest Operation,and Considerate Service”,our business mainly focus on the distribution of electronic components. Line cards we deal with include Microchip,ALPS,ROHM,Xilinx,Pulse,ON,Everlight and Freescale. Main products comprise IC,Modules,Potentiometer,IC Socket,Relay,Connector.Our parts cover such applications as commercial,industrial, and automotives areas.

We are looking forward to setting up business relationship with you and hope to provide you with the best service and solution. Let us make a better world for our industry!



Contact us

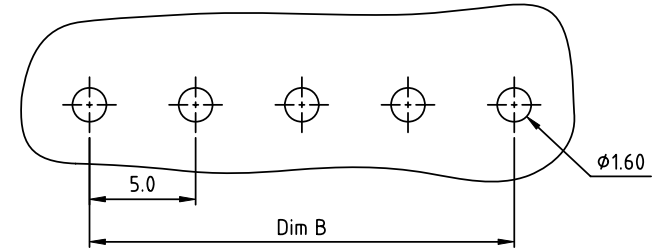
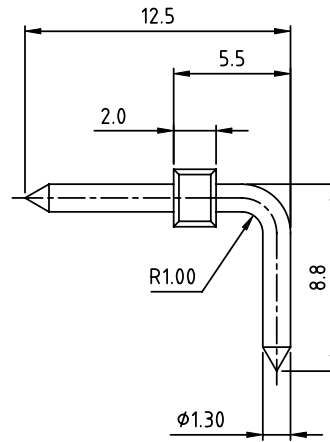
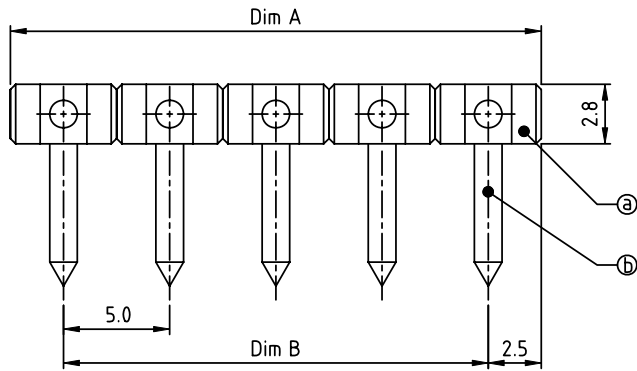
Tel: +86-755-8981 8866 Fax: +86-755-8427 6832

Email & Skype: info@chipsmall.com Web: www.chipsmall.com

Address: A1208, Overseas Decoration Building, #122 Zhenhua RD., Futian, Shenzhen, China



PRODUCT NUMBER	PITCH
OPxx0Fx000J0G	5.00mm



RECOMMENDED P.C.B LAYOUT
TOP VIEW

Material:

- Item (a) Terminal(housing): Thermoplastic (UL94V-0)
- Item (b) Contact pin: Brass, Tin or Au plated.

Electrical:

- Voltage rating: 300V
- Current rating: 10A
- Withstanding Voltage: 1.6KV
- Operating temperature: -40°C to +115°C
- Soldering temperature: 260°C±5°C/5 Sec
- Safety Approval: cULus

N = Number of poles
Dim L=Nx5.0
Dim B=(N-1)x5.0

poles	Tolerance
2-5p	±0.10
6-9p	±0.15
10-13p	±0.20
14-17p	±0.25
18-21p	±0.30
22-24p	±0.40

PART NO.: OP xx 0 F x 0 00J0 G

- Solid block
- No. of poles
- 02 2 poles
- 03 3 poles
-
- 24 24 poles
- 0 Tin plating 120u" Min
- 1 Gold plating 10u"
- 2 Gold flash
- RoHS compliant (lead<4%) In copper Alloy

mat'l. code		surface ASME Y14.5	tolerance ASME Y14.5	projection	product family
ltr	ecn no	dr	date		TERMINAL BLOCK
				tolerances unless otherwise specified	title
				angles	TERMINAL BLOCK
				$X \pm 0.5$	PLUGGABLE SOCKET, RIGHT ANGLE, BEND PIN
				$X.X \pm 0.3$	scale
				$X^* \pm 1^*$	MM
				dr	EVIN ZHONG 041714
				enr	EVIN ZHONG 041714
				chr	HANKE FENG 041714
				appd	SHI JUN 041714
sheet index		revision	A		dwg no
		sheet	1		OPxx0Fx000J0G
					sheet 1 of 1 size
					A4
					type
					CUSTOMER Drawing