



Chipsmall Limited consists of a professional team with an average of over 10 year of expertise in the distribution of electronic components. Based in Hongkong, we have already established firm and mutual-benefit business relationships with customers from,Europe,America and south Asia,supplying obsolete and hard-to-find components to meet their specific needs.

With the principle of “Quality Parts,Customers Priority,Honest Operation,and Considerate Service”,our business mainly focus on the distribution of electronic components. Line cards we deal with include Microchip,ALPS,ROHM,Xilinx,Pulse,ON,Everlight and Freescale. Main products comprise IC,Modules,Potentiometer,IC Socket,Relay,Connector.Our parts cover such applications as commercial,industrial, and automotives areas.

We are looking forward to setting up business relationship with you and hope to provide you with the best service and solution. Let us make a better world for our industry!



Contact us

Tel: +86-755-8981 8866 Fax: +86-755-8427 6832

Email & Skype: info@chipsmall.com Web: www.chipsmall.com

Address: A1208, Overseas Decoration Building, #122 Zhenhua RD., Futian, Shenzhen, China



NPN Silicon Photodarlington

OP300SL Series



Features:

- Narrow receiving angle
- Variety of sensitivity ranges
- Enhanced temperature range
- PCBoard mounting
- Mechanically and spectrally matched to OP123 and OP223 LEDs

Description:

Each device in this series is a NPN silicon photodarlington in a hermetically sealed pill package with a narrow receiving angle that provides excellent on-axis coupling. Photodarlington are normally used in applications with low light signal levels, where more current gain is needed than phototransistors can provide.

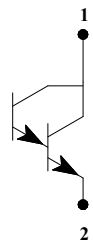
Components in the OP300 series are mechanically and spectrally matched to the OP123 and OP223 series.

Please refer to Application Bulletins 208 and 210 for additional design information and reliability (degradation) data, and to Application Bulletin 202 for pill-type soldering to PCBoard.

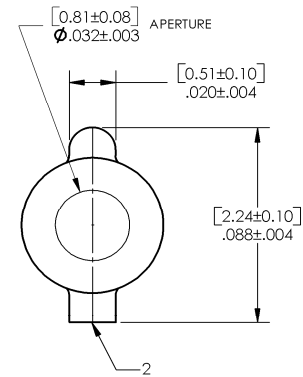
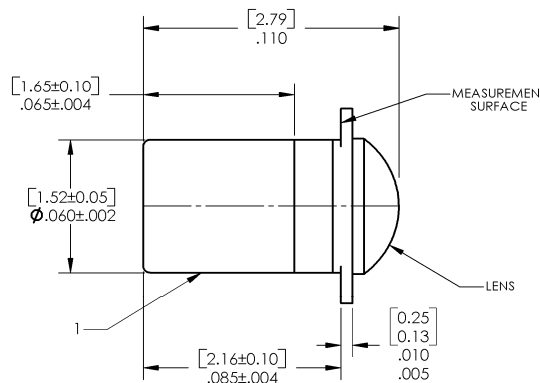
Applications:

- Non-contact reflective object sensor
- Assembly line automation
- Machine automation
- Machine safety
- End of travel sensor
- Door sensor

Ordering Information				
Part Number	Sensor	Light Current $I_{C(ON)}$ (mA) Min / Max	Input Power E_e (mW/cm ²)	Viewing Angle
OP300SL	Darlington	0.8 / NA	1.0 with 2870° K or 0.4 with 890nm	35°
OP301SL		0.8 / 2.4		
OP302SL		1.8 / 5.4		
OP303SL		3.6 / 12.0		
OP304SL		7.0 / 21.0		
OP305SL		14.0 / NA		



Pin #	Sensor
1	Collector
2	Emitter



DIMENSIONS ARE IN: [MILLIMETERS]
INCHES



General Note
TT Electronics reserves the right to make changes in product specification without notice or liability. All information is subject to TT Electronics' own data and is considered accurate at time of going to print.

OPTEK Technology, Inc.
1645 Wallace Drive, Carrollton, TX 75006 | Ph: +1 972 323 2200
www.optekinc.com | www.ttelectronics.com

Electrical Specifications

Absolute Maximum Ratings ($T_A = 25^\circ\text{C}$ unless otherwise noted)	
Collector-Emitter Voltage	15.0 V
Emitter-Collector Voltage	5.0 V
Storage Temperature Range	-65° C to +150° C
Operating Temperature Range	-65° C to +125° C
Soldering Temperature (5 seconds with soldering iron)	260° C ⁽¹⁾⁽²⁾
Power Dissipation	50 mW ⁽³⁾
Continuous Collector Current	50 mA

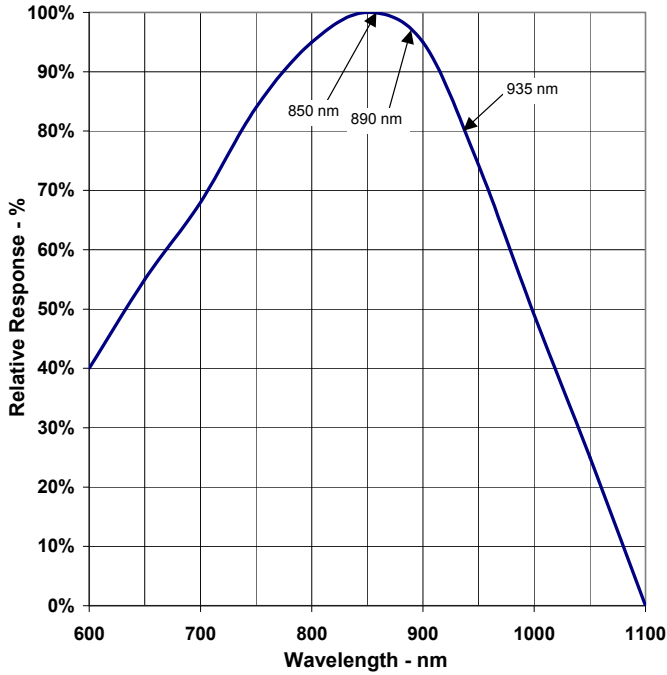
Electrical Characteristics ($T_A = 25^\circ\text{C}$ unless otherwise noted)						
SYMBOL	PARAMETER	MIN	TYP	MAX	UNITS	TEST CONDITIONS
$I_{C(ON)}$ ⁽⁴⁾	On-State Collector Current	0.8	-	-	mA	$V_{CE} = 5.0\text{ V}, E_E = 1.0\text{ or }0.4\text{ mW/cm}^2$ ⁽⁵⁾
	OP300SL	0.8	-	2.4		
	OP301SL	1.8	-	5.4		
	OP302SL	3.6	-	12.0		
	OP303SL	7.0	-	21.0		
	OP304SL	14.0	-	-		
	OP305SL	-	-	-		
I_{CEO}	Collector-Dark Current	-	-	1.0	μA	$V_{CE} = 10\text{ V}, E_E = 0$
$V_{(BR)CEO}$	Collector-Emitter Breakdown Voltage	15.0	-	-	V	$I_C = 100\ \mu\text{A}$
$V_{(BR)ECO}$	Emitter-Collector Breakdown Voltage	5.0	-	-	V	$I_E = 100\ \mu\text{A}$
$V_{CE(SAT)}$ ⁽⁴⁾	Collector-Emitter Saturation Voltage	-	-	1.1	V	$I_C = 0.4\text{ mA}, E_E = 1.0\text{ or }0.4\text{ mW/cm}^2$ ⁽⁵⁾ $I_C = 1.0\text{ mA}, E_E = 1.0\text{ or }0.4\text{ mW/cm}^2$ ⁽⁵⁾
	OP300SL, OP301SL	-	-	1.1		
	OP302SL through OP305SL	-	-	1.1		

Notes:

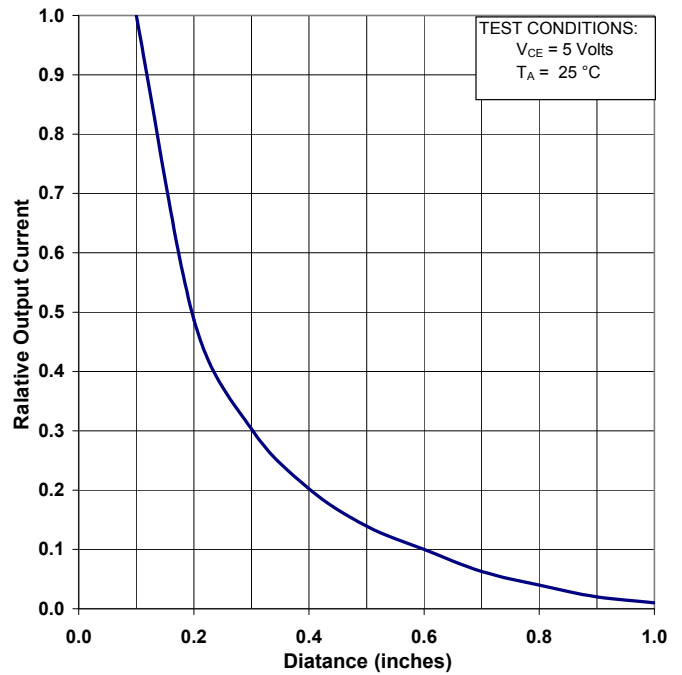
- (1) Refer to Application Bulletin 202, which discusses proper techniques for soldering pill-type devices to PCboards.
- (2) No clean or low solids. RMA flux is recommended. Duration can be extended to 10 seconds maximum when flow soldering.
- (3) Derate linearly 0.5 mW/° C above 25° C.
- (4) Junction temperature maintained at 25° C.
- (5) Light source is an unfiltered tungsten bulb operating at $CT = 2870^\circ\text{K}$ at $E_E = 1.0\text{ mW/cm}^2$ or 890nm at $E_E = 0.4\text{ mW/cm}^2$.

Performance

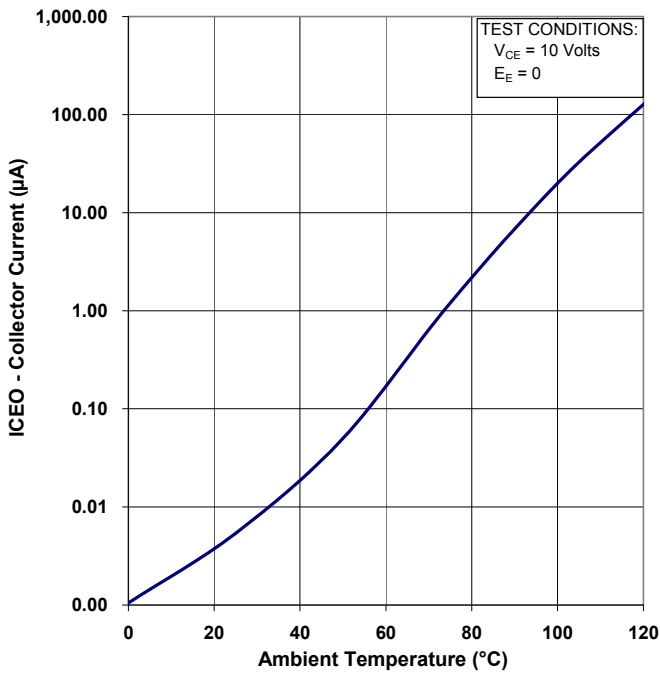
Typical Spectral-Response



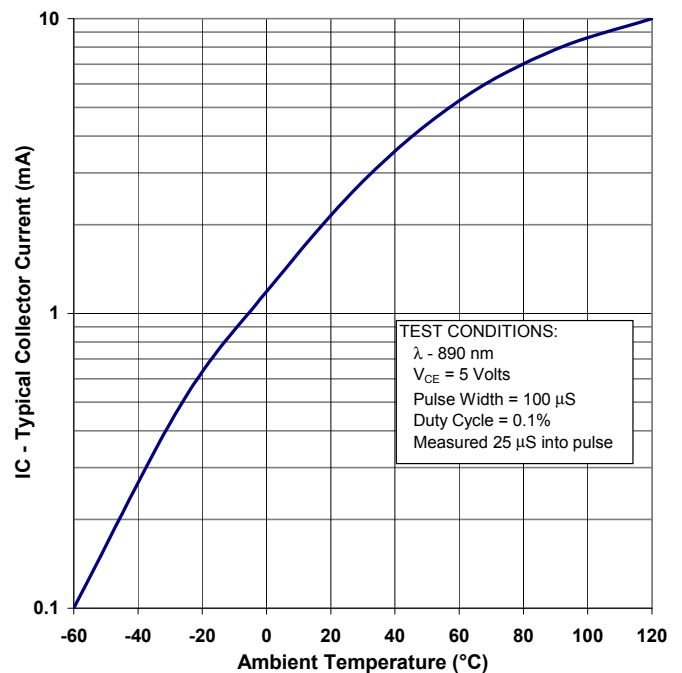
Coupling Characteristics of OP123 & OP300SL



Dark Current vs Temperature



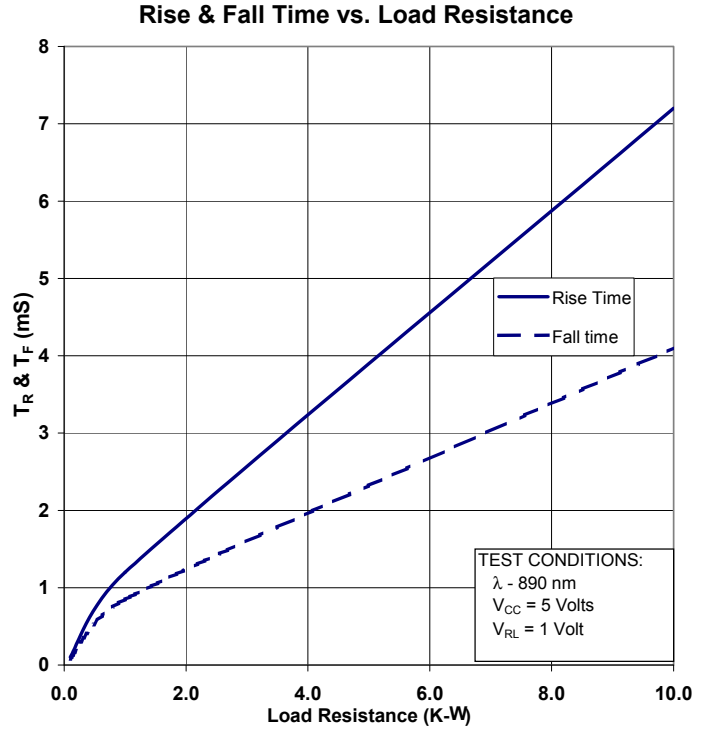
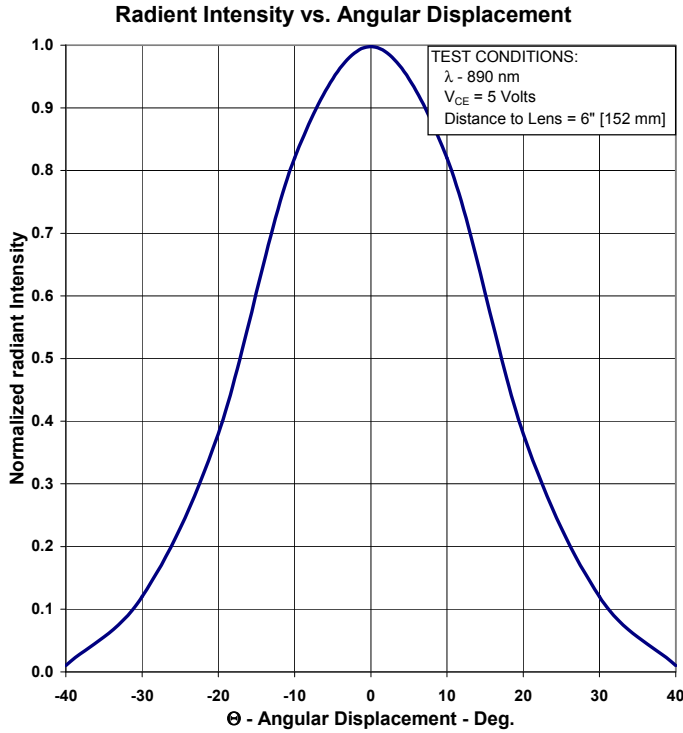
Collector Current vs Temperature



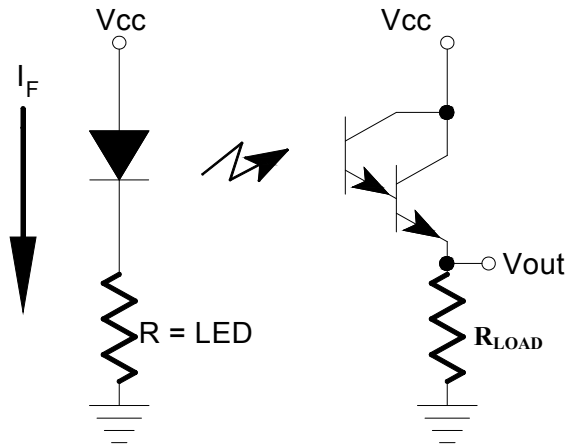
General Note
TT Electronics reserves the right to make changes in product specification without notice or liability. All information is subject to TT Electronics' own data and is considered accurate at time of going to print.

OPTEK Technology, Inc.
1645 Wallace Drive, Carrollton, TX 75006 | Ph: +1 972 323 2200
www.optekinc.com | www.ttelectronics.com

Performance



Switching time Circuit



The light source is a pulsed LED with a rise time of less than 500 nS.

The LED output is adjusted for $I_C = 0.8$ mA.