



Chipsmall Limited consists of a professional team with an average of over 10 year of expertise in the distribution of electronic components. Based in Hongkong, we have already established firm and mutual-benefit business relationships with customers from,Europe,America and south Asia,supplying obsolete and hard-to-find components to meet their specific needs.

With the principle of "Quality Parts,Customers Priority,Honest Operation,and Considerate Service",our business mainly focus on the distribution of electronic components. Line cards we deal with include Microchip,ALPS,ROHM,Xilinx,Pulse,ON,Everlight and Freescale. Main products comprise IC,Modules,Potentiometer,IC Socket,Relay,Connector.Our parts cover such applications as commercial,industrial, and automotives areas.

We are looking forward to setting up business relationship with you and hope to provide you with the best service and solution. Let us make a better world for our industry!



Contact us

Tel: +86-755-8981 8866 Fax: +86-755-8427 6832

Email & Skype: info@chipsmall.com Web: www.chipsmall.com

Address: A1208, Overseas Decoration Building, #122 Zhenhua RD., Futian, Shenzhen, China



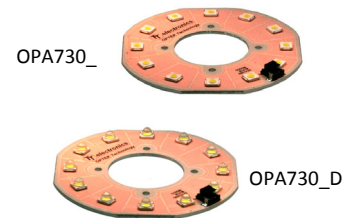
12 Watt Light Ring on OptoTherm[®] Linear Heat Spreader



OPA730 Series

Features:

- 12, 1 watt LEDs per ring
- Mono-color per ring (Blue, Green, Red, Yellow, White)
- Two component beam angle options (120° or 40°)
- Universal connector (Tyco 2-292173-2 mates with 173977-2)
- RoHS Compliant



Description:

The **OPA730** Series are designed for areas where light output and reliability are essential. The light beam angles of 40° and 120° are ideal for illuminating small and medium size areas while requiring minimal space.

A High Performance Heat Spreader (HPHS) is used to ensure the best heat dissipation of any light assembly in the industry.

OptoTherm[®] is designed to be the optimum material for distribution of heat for high power devices.

For custom colors and design contact your OPTEK representative.

Electrical / Optical Characteristics: $T_A=25^{\circ}\text{C}$, $I_F=700\text{mA}$

Part Number	Typical Forward Voltage (V)	Luminous Flux (lm)	Beam Angle	Color	Dominant Wavelength
OPA730Y	15.0	420	120°	Yellow	587 nm
OPA730B	21.6	108		Blue	470nm
OPA730G	21.6	576		Green	530 nm
OPA730R	15.0	312		Red	625 nm
OPA730W	21.6	576		White	6500°K
OPA730YD	15.0	420	40°	Yellow	587 nm
OPA730BD	21.6	108		Blue	470 nm
OPA730GD	21.6	576		Green	530 nm
OPA730RD	15.0	312		Red	625 nm
OPA730WD	21.6	576		White	6500°K



DO NOT LOOK DIRECTLY AT LED WITH UNSHIELDED EYES OR DAMAGE TO RETINA MAY OCCUR.

General Note
TT Electronics reserves the right to make changes in product specification without notice or liability. All information is subject to TT Electronics' own data and is considered accurate at time of going to print.

OPTEK Technology, Inc.
1645 Wallace Drive, Carrollton, TX 75006 | Ph: +1 972 323 2200
www.optekinc.com | www.ttelectronics.com

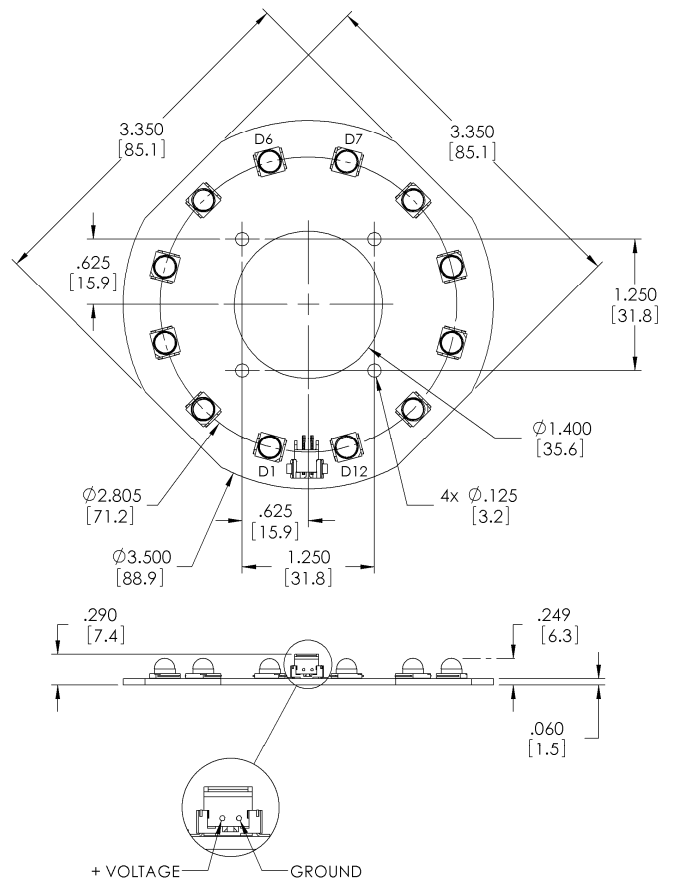
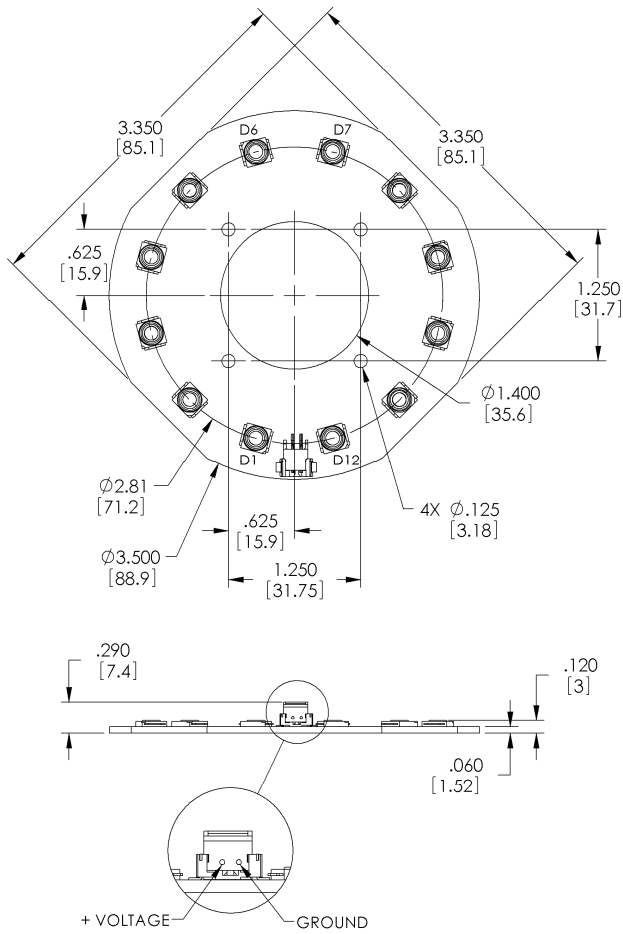
12 Watt Light Ring on OptoTherm® Linear Heat Spreader



OPA730 Series

OPA730_

See OVSP_BCR4 for component specifications.



OPA730_D

See OVSP_BCR44 for component specifications.

General Note
TT Electronics reserves the right to make changes in product specification without notice or liability. All information is subject to TT Electronics' own data and is considered accurate at time of going to print.

OPTEK Technology, Inc.
1645 Wallace Drive, Carrollton, TX 75006 | Ph: +1 972 323 2200
www.optekinc.com | www.ttelectronics.com