



Chipsmall Limited consists of a professional team with an average of over 10 year of expertise in the distribution of electronic components. Based in Hongkong, we have already established firm and mutual-benefit business relationships with customers from,Europe,America and south Asia,supplying obsolete and hard-to-find components to meet their specific needs.

With the principle of “Quality Parts,Customers Priority,Honest Operation,and Considerate Service”,our business mainly focus on the distribution of electronic components. Line cards we deal with include Microchip,ALPS,ROHM,Xilinx,Pulse,ON,Everlight and Freescale. Main products comprise IC,Modules,Potentiometer,IC Socket,Relay,Connector.Our parts cover such applications as commercial,industrial, and automotives areas.

We are looking forward to setting up business relationship with you and hope to provide you with the best service and solution. Let us make a better world for our industry!



## Contact us

Tel: +86-755-8981 8866 Fax: +86-755-8427 6832

Email & Skype: info@chipsmall.com Web: www.chipsmall.com

Address: A1208, Overseas Decoration Building, #122 Zhenhua RD., Futian, Shenzhen, China



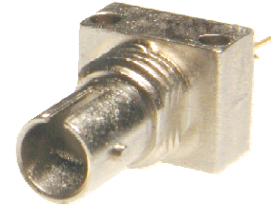
# Fiber Optic Transmitter

## OPF372 Family



### Features:

- Low Cost 850 nm LED technology
- Popular ST<sup>®</sup> style receptacle
- Pre-tested with fiber to assure performance
- Component pre-mounted and ready to use
- 35MHz operation



### Description:

The OPF372 family fiber optic transmitters are high performance devices packaged for data communication links. This transmitter is an 850nm GaAlAs LED and is specifically designed to efficiently launch optical power into fibers ranging in size from 50/125µm up to 200/300µm diameter fiber. Multiple power ranges with upper and lower limits are offered which allows the designer to select a device best suited for the application.

This product's combination of features including high speed and efficient coupled power makes it an ideal transmitter for integration into all types of data communications equipment.

The mechanical design of this packaged is intended for PC Board or panel mounting. It is shipped with a lock washer, jam nut, 2 #2-56 screws, and a protective dust cap.

### Applications:

- Industrial Ethernet equipment
- Copper-to-fiber media conversion
- Intra-system fiber optic links
- Video surveillance systems

Typical Coupled Power $I_f = 100\text{mA}, 25^\circ\text{C}$						
Fiber Size	Type	N.A.	OPF372A	OPF372B	OPF372C	OPF372D
50/125 µm	Graded Index	0.20	29µW	19µW	12.5µW	7.5µW
62.5/125 µm	Graded Index	0.28	89µW	51µW	35µW	27µW
100/140 µm	Graded Index	0.29	200µW	129µW	87µW	60µW
200/300 µm	Step Index	0.41	750µW	606µW	463µW	320µW

All Optek OPF LED emitters are AEL Class I as defined by IEC 60825-1 and are Risk Group 1 (Low-Risk) as defined by IEC 62471.



RoHS



ESD Class 2

ST<sup>®</sup> is a registered trademark of AT&T.

General Note  
TT Electronics reserves the right to make changes in product specification without notice or liability. All information is subject to TT Electronics' own data and is considered accurate at time of going to print.

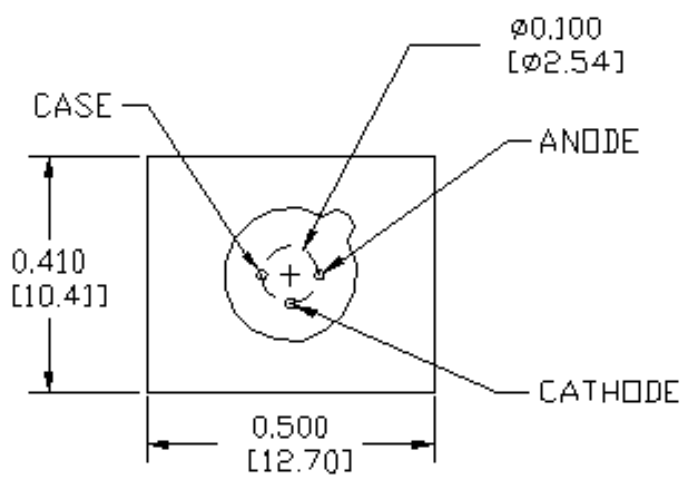
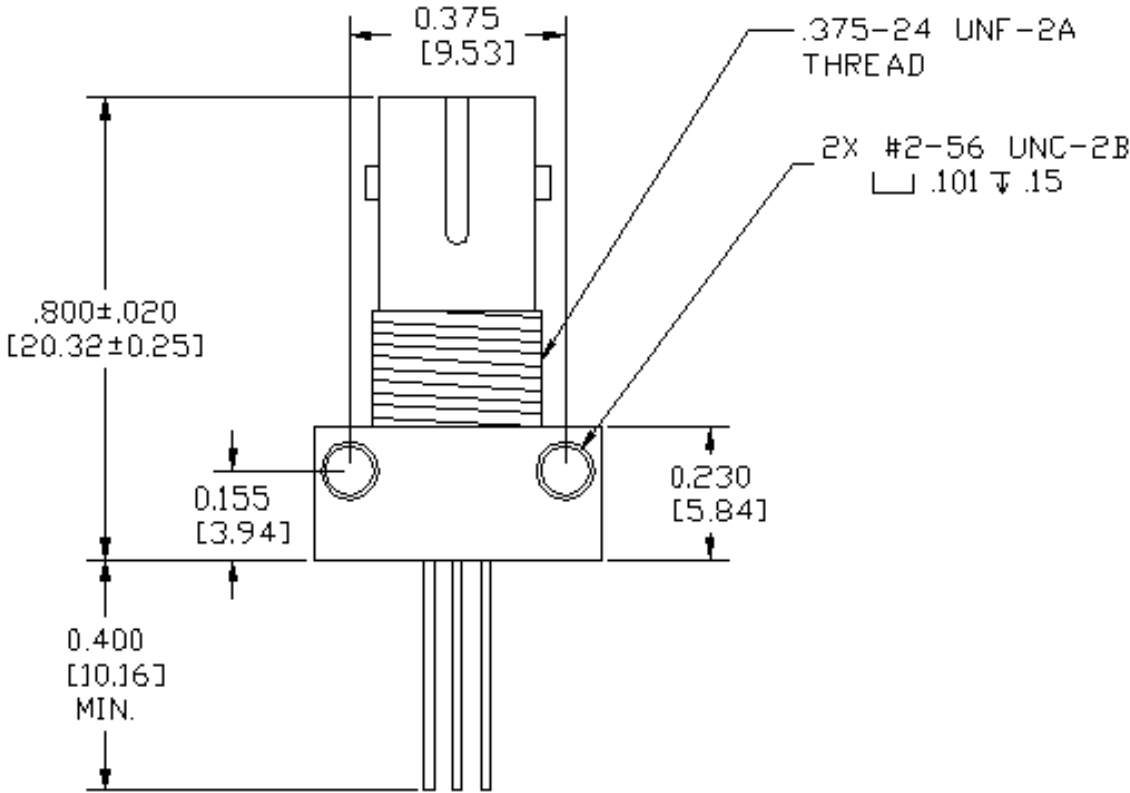
OPTEK Technology, Inc.  
1645 Wallace Drive, Carrollton, TX 75006 | Ph: +1 972 323 2200  
www.optekinc.com | www.ttelectronics.com

# Fiber Optic Transmitter

OPF372 Family



## Mechanical Data



DIMENSIONS ARE IN INCHES (MILLIMETERS)

General Note  
TT Electronics reserves the right to make changes in product specification without notice or liability. All information is subject to TT Electronics' own data and is considered accurate at time of going to print.

OPTEK Technology, Inc.  
1645 Wallace Drive, Carrollton, TX 75006 | Ph: +1 972 323 2200  
www.optekinc.com | www.ttelectronics.com

# Fiber Optic Transmitter

OPF372 Family



## Electrical Specifications

Absolute Maximum Ratings ( $T_A = 25^\circ\text{C}$ unless otherwise noted)							
Storage Temperature Range						-55° C to +100° C	
Operating Temperature Range						-40° C to +85° C	
Lead Soldering Temperature <sup>(1)</sup>						260° C	
Continuous Forward Current <sup>(2)</sup>						100 mA	
Maximum Reverse Voltage						1.0 V	
Electrical Characteristics ( $T_A = 25^\circ\text{C}$ unless otherwise noted)							
SYMBOL	PARAMETER		MIN	TYP	MAX	UNITS	TEST CONDITIONS
$P_{OC}$	Total Coupled Power 50/125 mm Fiber, NA = 0.20	OPF372A	25.0	29.0		$\mu\text{W}$	$I_F = 100\text{ mA}$
		OPF372B	15.0	19.0			
		OPF372C	10.0	12.5			
		OPF372D	5.0	7.5			
$V_F$	Forward Voltage		1.8	2.2		V	$I_F = 100\text{ mA}$
$V_R$	Reverse Voltage	1.8				V	$I_R = 100\ \mu\text{A}$
$\lambda$	Wavelength	830	850	870		nm	$I_F = 50\text{ mA}$
$\Delta\lambda$	Optical Bandwidth		45	60		nm	$I_F = 50\text{ mA}$
$t_r, t_f$	Rise and Fall Time		6.0	10.0		ns	$I_F = 100\text{ mA}; 10\% \text{ to } 90\%^{(3)}$

### Notes:

1. Maximum of 5 seconds with soldering iron. Duration can be extended to 10 seconds when flow soldering. RMA flux is recommended.
2. De-rate linearly at 1.33mA /°C above 25°C .
3. No Pre-bias.
4. All Optek fiber optic LED products are subjected to 100% burn-in as part of its quality control process. The burn-in conditions are 96 hours at 100mA drive current and 25°C ambient temperature.

General Note  
TT Electronics reserves the right to make changes in product specification without notice or liability. All information is subject to TT Electronics' own data and is considered accurate at time of going to print.

OPTEK Technology, Inc.  
1645 Wallace Drive, Carrollton, TX 75006 | Ph: +1 972 323 2200  
www.optekinc.com | www.ttelectronics.com

### Performance

