



Chipsmall Limited consists of a professional team with an average of over 10 year of expertise in the distribution of electronic components. Based in Hongkong, we have already established firm and mutual-benefit business relationships with customers from,Europe,America and south Asia,supplying obsolete and hard-to-find components to meet their specific needs.

With the principle of “Quality Parts,Customers Priority,Honest Operation,and Considerate Service”,our business mainly focus on the distribution of electronic components. Line cards we deal with include Microchip,ALPS,ROHM,Xilinx,Pulse,ON,Everlight and Freescale. Main products comprise IC,Modules,Potentiometer,IC Socket,Relay,Connector.Our parts cover such applications as commercial,industrial, and automotives areas.

We are looking forward to setting up business relationship with you and hope to provide you with the best service and solution. Let us make a better world for our industry!



## Contact us

Tel: +86-755-8981 8866 Fax: +86-755-8427 6832

Email & Skype: info@chipsmall.com Web: www.chipsmall.com

Address: A1208, Overseas Decoration Building, #122 Zhenhua RD., Futian, Shenzhen, China



# 850nm, Fiber Optic LED Transmitter

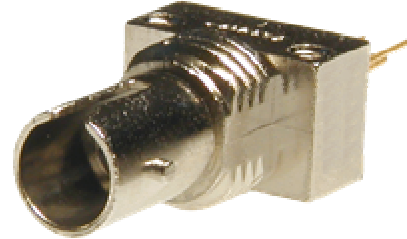


## OPF693-1 OPF693-2

## Technical Data

### Features

- Low Cost 850 nm LED technology
- High thermal stability
- Up to 155 Mbaud
- Recommended for multimode fiber applications
- High optical coupling to multimode fiber
- Low profile metal ST\* style receptacle
- Industrial temperature range



### Description

The OPF693 series fiber optic transmitters are high performance 850nm LED packaged for data communication links. Two power ranges are offered which allows the designer to select a device best suited for the application.

This product's combination of features including high speed and efficient coupled power makes it an ideal transmitter for integration into all types of data communications equipment.

Applications include:

- ◆ Industrial Ethernet
- ◆ Copper-to-fiber media conversion
- ◆ Intra-system links

### Absolute Maximum Ratings ( $T_A = 25^\circ\text{C}$ unless otherwise noted)

Storage Temperature	-55° C to +100° C
Operating Temperature	-40° C to +85° C
Soldering Lead Temperature <sup>(1)</sup>	260° C for 10 Seconds
Continuous Forward Current <sup>(2)</sup>	100 mA
Maximum Reverse Voltage	1.0 V

Typical Coupled Power $I_F = 100\text{mA}, 25^\circ\text{C}$				
Fiber Size	Type	N.A.	OPF693-1	OPF693-2
50/125 $\mu\text{m}$	Graded Index	0.20	-19dBm	-16dBm
62.5/125 $\mu\text{m}$	Graded Index	0.28	-15dBm	-12dBm
100/140 $\mu\text{m}$	Graded Index	0.29	-11dBm	-8dBm
200/300 $\mu\text{m}$	Step Index	0.41	-5dBm	-2dBm

\* - ST is a registered trademark of Fitel USA Corp.

# OPF693 Series Technical Data



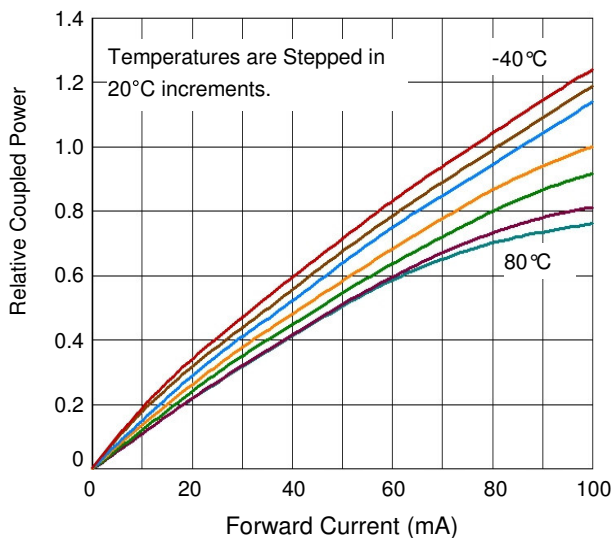
## Electrical/Optical Characteristics (at 25 °C unless otherwise specified)

SYMBOL	PARAMETER	MIN	TYP	MAX	UNITS	TEST CONDITION
P <sub>T50</sub>	Total Coupled Power OPF693-1	-19		-14	dBm	I <sub>F</sub> = 100 mA
	50/125 μm Fiber OPF693-2	-16		-11	dBm	I <sub>F</sub> = 100 mA
V <sub>F</sub>	Forward Voltage	1.5		2.1	V	I <sub>F</sub> = 100 mA
V <sub>R</sub>	Reverse Voltage	1.8			V	I <sub>R</sub> = 100 μA
λ	Wavelength	830	850	870	nm	I <sub>F</sub> = 50 mA
Δλ	Optical Bandwidth		35		nm	I <sub>F</sub> = 50 mA
t <sub>r</sub> , t <sub>f</sub>	Rise and Fall Time		4.5	6.5	ns	I <sub>F</sub> = 100 mA; 10% to 90% <sup>(3)</sup>

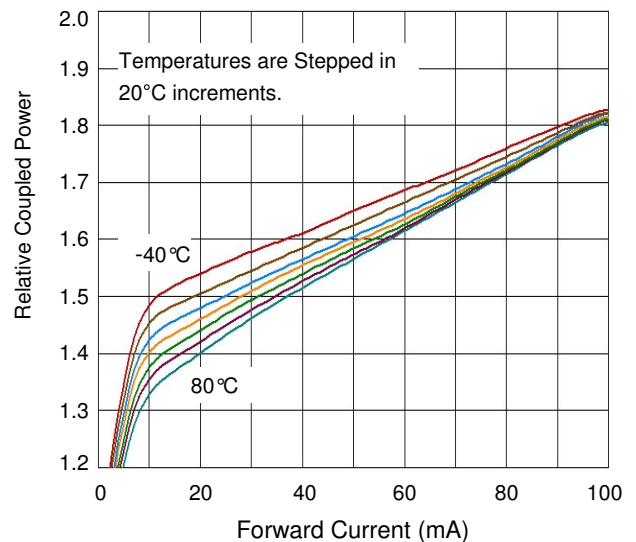
### NOTES:

1. RMA flux is recommended. Duration can be extended to 10 seconds when flow soldering.
2. De-rate linearly at 1.0mA /°C above 25°C .
3. No Pre-bias.
4. All Optek fiber optic LED products are subjected to 100% burn-in as part of its quality control process. The burn-in conditions are 96 hours at 100mA drive current and 25°C ambient temperature.

**Relative Coupled Power vs. Forward Current**



**Typical Forward Voltage vs. Forward Current**

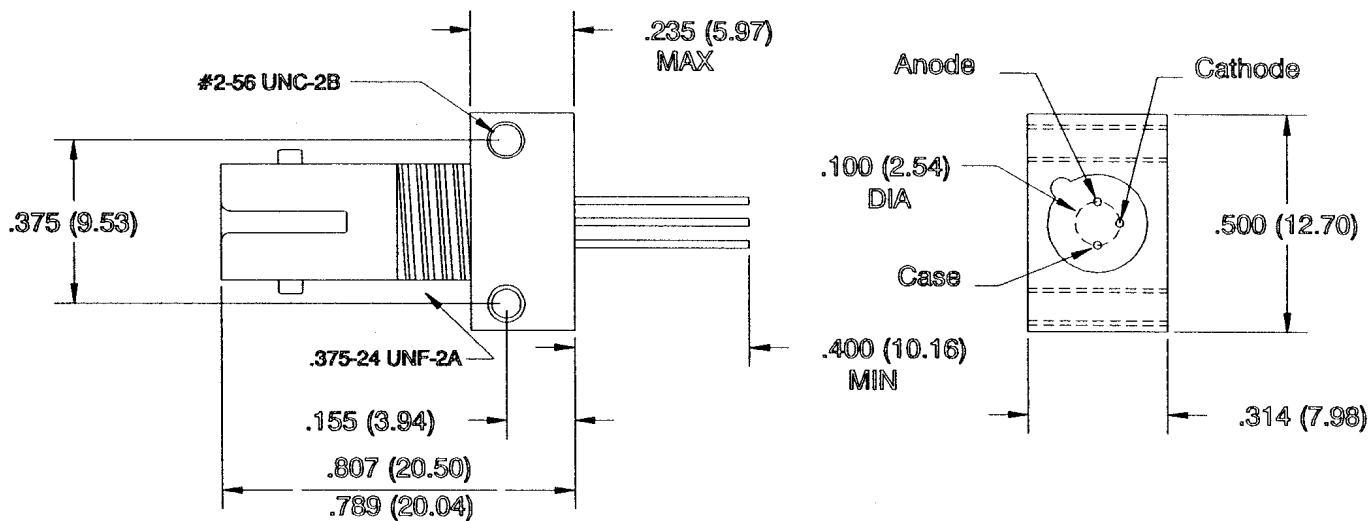


Optek reserves the right to make changes at any time in order to improve design and to supply the best product possible.

October 2003  
Issue 1.1

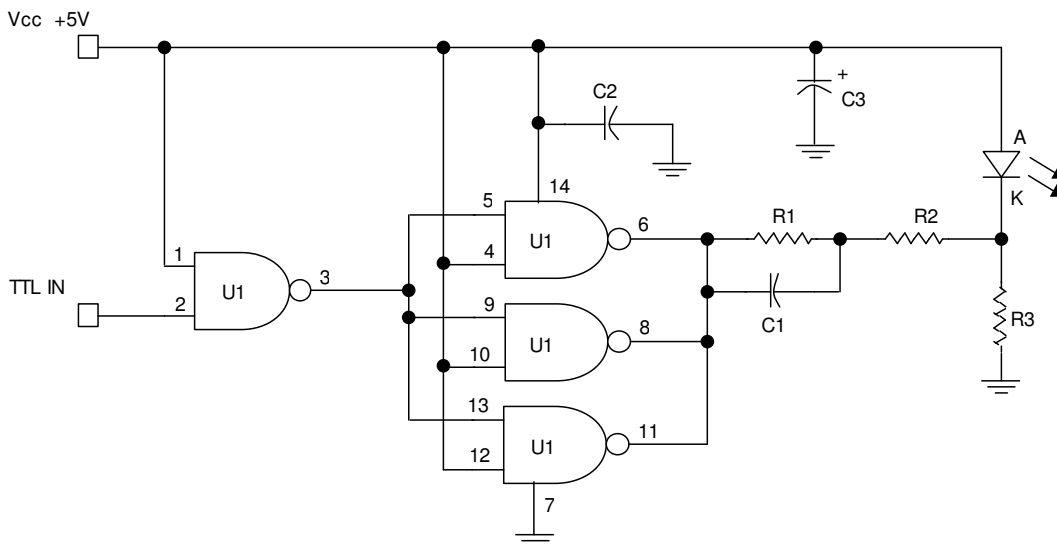


# OPF693 Series Technical Data



DIMENSIONS ARE IN INCHES (MILLIMETERS)

## Application Circuit: 155Mbps TTL Drive Circuit



Part	Description	Value/ Type	Symbol	Tol.
C1	Capacitor	75	pF	20%
C2	Capacitor	100	pF	20%
C3	Capacitor	10	μF	20%
R1	Resistor	33	Ω	5%
R2	Resistor	33	Ω	5%
R3	Resistor	270	Ω	5%
U1	IC, Quad NAND	74ACTQ00	-	-

Refer to Application Bulletin 220 for complete details.