



Chipsmall Limited consists of a professional team with an average of over 10 year of expertise in the distribution of electronic components. Based in Hongkong, we have already established firm and mutual-benefit business relationships with customers from,Europe,America and south Asia,supplying obsolete and hard-to-find components to meet their specific needs.

With the principle of “Quality Parts,Customers Priority,Honest Operation,and Considerate Service”,our business mainly focus on the distribution of electronic components. Line cards we deal with include Microchip,ALPS,ROHM,Xilinx,Pulse,ON,Everlight and Freescale. Main products comprise IC,Modules,Potentiometer,IC Socket,Relay,Connector.Our parts cover such applications as commercial,industrial, and automotives areas.

We are looking forward to setting up business relationship with you and hope to provide you with the best service and solution. Let us make a better world for our industry!



Contact us

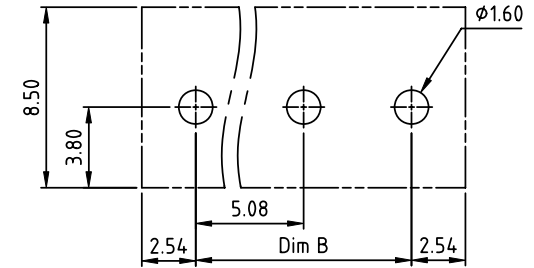
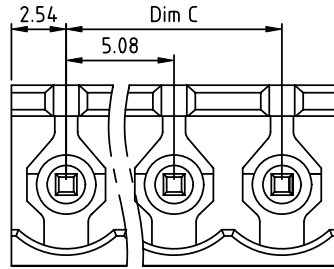
Tel: +86-755-8981 8866 Fax: +86-755-8427 6832

Email & Skype: info@chipsmall.com Web: www.chipsmall.com

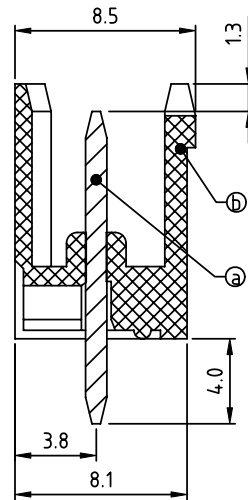
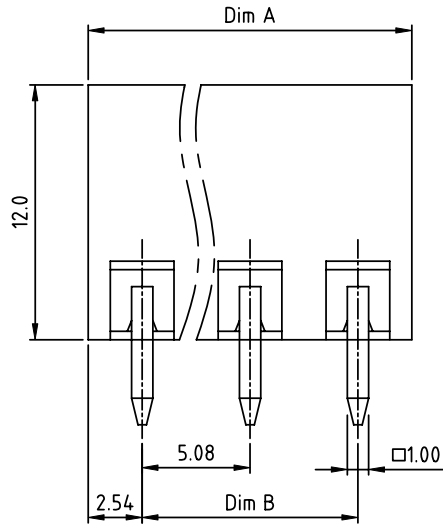
Address: A1208, Overseas Decoration Building, #122 Zhenhua RD., Futian, Shenzhen, China



PRODUCT NUMBER	PITCH
0Qxx53x000J0G	5.08 mm



RECOMMENDED P.C.B LAYOUT
TOP VIEW



Material:

- Item (a) Male contact pin: Copper Tin plated
- Item (b) Terminal housing: Thermoplastic (UL94V-0)

Electrical:

- Voltage rating: 300V/300V/300V
- Current rating: 20A/20A/20A
- Withstanding Voltage: 1.6 KV/2.5KV/2.5KV
- Operating temperature: -40°C to +115°C
- Soldering temperature: 260°C±5°C/5 Sec
- Safety Approval: cULus VDE /TUV

DIMENSION

Dim A	N×5.08
Dim B&C	(N-1)×5.08

N = Number of poles

Poles	Dim A	Dim B&C
2-6p	±0.15	±0.10
7-12p	±0.25	±0.15
13-18p	±0.30	±0.20
19-24p	±0.40	±0.30

PART NO.: 0Q xx 5 3 x 0 00J0 G

No. of poles	0 Black (RAL9005)	RoHS compliant (lead<4%) In copper Alloy
02 2 poles	2 Red (RAL3001/D)	
03 3 poles	3 Orange(RAL2011/P)	
...	4 Yellow(RAL1018/A)	
24 24 poles	5 Green(RAL6018/T)	
	6 Blue (RAL5015/A)	
	8 Grey(RAL7035/D)	
	9 White(RAL1102)	
	C Green(RAL6018/U)	

mat'l. code		surface ASME Y14.5	tolerance ASME Y14.5	projection	product family TERMINAL BLOCK
ltr	ecn no	dr	date		title
				tolerances unless otherwise specified	TERMINAL BLOCK
				angles $X \pm 0.5$	PLUGGABLE SOCKET, OPEN TYPE, VERTICAL
				flatness $X.X \pm 0.3$	scale
				total runout $X \pm 1^*$	MM
		dr	HANKE FENG	040314	sheet 1 of 1 size
		enr	HANKE FENG	040314	0Qxx53x000J0G
		chr	SHI JUN	040314	A4
		appd	SHI JUN	040314	type
					CUSTOMER Drawing
sheet index	revision	A			
	sheet	1			