



Chipsmall Limited consists of a professional team with an average of over 10 year of expertise in the distribution of electronic components. Based in Hongkong, we have already established firm and mutual-benefit business relationships with customers from,Europe,America and south Asia,supplying obsolete and hard-to-find components to meet their specific needs.

With the principle of “Quality Parts,Customers Priority,Honest Operation,and Considerate Service”,our business mainly focus on the distribution of electronic components. Line cards we deal with include Microchip,ALPS,ROHM,Xilinx,Pulse,ON,Everlight and Freescale. Main products comprise IC,Modules,Potentiometer,IC Socket,Relay,Connector.Our parts cover such applications as commercial,industrial, and automotives areas.

We are looking forward to setting up business relationship with you and hope to provide you with the best service and solution. Let us make a better world for our industry!



## Contact us

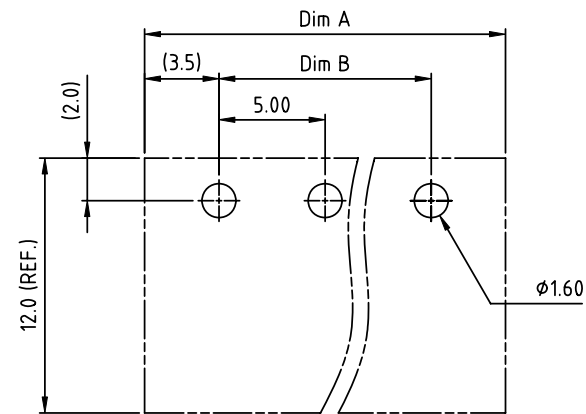
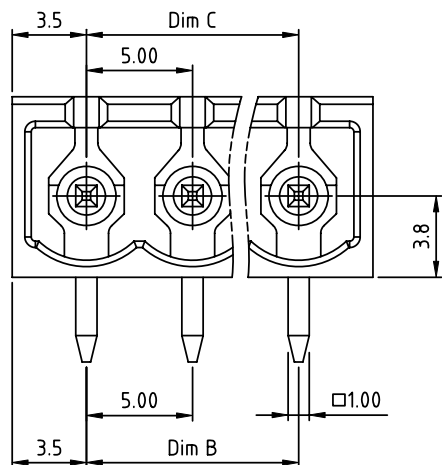
Tel: +86-755-8981 8866 Fax: +86-755-8427 6832

Email & Skype: info@chipsmall.com Web: www.chipsmall.com

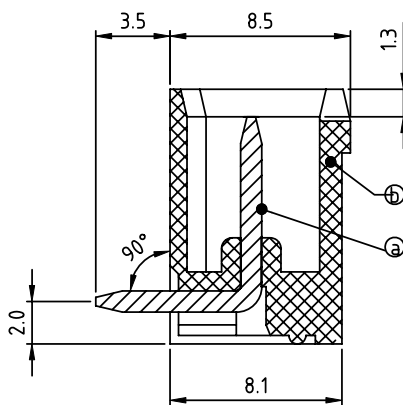
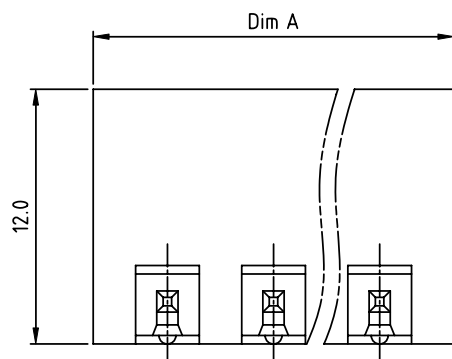
Address: A1208, Overseas Decoration Building, #122 Zhenhua RD., Futian, Shenzhen, China



PRODUCT NUMBER	PITCH
0Qxx71x100J0G	5.00 mm



RECOMMENDED P.C.B LAYOUT  
TOP VIEW



Material:

- Item ① Male contact pin: Copper Tin plated
- Item ② Terminal housing: Thermoplastic (UL94 V-0)

Electrical:

- Voltage rating: 300V/300V/300V
- Current rating: 20A/20A/20A
- Withstanding Voltage: 1.6 KV/2.5KV/2.5KV
- Operating temperature: -40°C to +115°C
- Soldering temperature: 260°C±5°C/5 Sec
- Safety Approval:



Dimension

Dim A	N×5.0+2.0
Dim B&C	(N-1)×5.0

N = Number of poles

Poles	Dim A	Dim B&C
2-6p	±0.20	±0.15
7-12p	±0.25	±0.20
13-18p	±0.30	±0.25
19-24p	±0.35	±0.30

PART NO.: 0Q xx 7 1 x 1 00J0 G

No. of poles	0	Body Color	Black (RAL9005)	RoHS compliant	(lead<4%)
02 2 poles	2	Red (RAL3001/D)		In copper Alloy	
03 3 poles	3	Orange(RAL2011/P)			
...	4	Yellow(RAL1018/A)			
24 24 poles	5	Green(RAL6018/T)			
	6	Blue (RAL5015/A)			
	8	Grey(RAL7035/D)			
	9	White(RAL1102)			
	C	Green(RAL6018/U)			

mat'l. code		surface ASME Y14.5	tolerance ASME Y14.5	projection	product family
ltr	ecn no	dr	date	tolerances unless otherwise specified	TERMINAL BLOCK
				angles	title
				MM	TERMINAL BLOCK
				scale	PLUGGABLE SOCKET,CLOSE TYPE,RIGHT ANGLE
		dr	HANKE FENG	032814	dwg no
		enr	HANKE FENG	032814	sheet 1 of 1
		chr	SHI JUN	032814	size
		appd	SHI JUN	032814	A4
sheet index	revision	A			type
	sheet	1			CUSTOMER Drawing