



Chipsmall Limited consists of a professional team with an average of over 10 year of expertise in the distribution of electronic components. Based in Hongkong, we have already established firm and mutual-benefit business relationships with customers from,Europe,America and south Asia,supplying obsolete and hard-to-find components to meet their specific needs.

With the principle of “Quality Parts,Customers Priority,Honest Operation,and Considerate Service”,our business mainly focus on the distribution of electronic components. Line cards we deal with include Microchip,ALPS,ROHM,Xilinx,Pulse,ON,Everlight and Freescale. Main products comprise IC,Modules,Potentiometer,IC Socket,Relay,Connector.Our parts cover such applications as commercial,industrial, and automotives areas.

We are looking forward to setting up business relationship with you and hope to provide you with the best service and solution. Let us make a better world for our industry!



Contact us

Tel: +86-755-8981 8866 Fax: +86-755-8427 6832

Email & Skype: info@chipsmall.com Web: www.chipsmall.com

Address: A1208, Overseas Decoration Building, #122 Zhenhua RD., Futian, Shenzhen, China





PRODUCT NUMBER

20020110-XXXXXXLF

20020110- □ □ □ □ A O □ L F

PITCH

C: 3.50 mm
D: 3.81 mm
G: 5.00 mm
H: 5.08 mm

POLES

02: 2 POLES
03: 3 POLES
04: 4 POLES
—
24: 24 POLES

LF : DENOTED RoHS COMPATIBLE

1 : STANDARD PRODUCT
W/ BOX PACKING

PROPERTY TABLE					
FCI SERIES NAME		06-350	06-381	06-500	06-508
PITCH (mm)		3.50	3.81	5.00	5.08
VOLTAGE RATING (VAC)		300	300	300	300
CURRENT RATING (A)	cULus	10	10	12	12
	VDE	10.5	10.5	NA	NA
WITHSTANDING VOLTAGE (kV)	cULus	1.6	1.6	1.6	1.6
	VDE	2.5	2.5	NA	NA
OPERATING TEMP. (°C)		-40~+115	-40~+115	-40~+115	-40~+115
SOLDERING TEMP. (°C)		250±10 (5 sec.)	250±10 (5 sec.)	250±10 (5 sec.)	250±10 (5 sec.)
POLES AVAILABLE		02~24	02~24	02~24	02~24
SAFETY CERTIFICATE					

HOUSING CODE

CODE	COLOR	AVAILABILITY
1	GREEN(RAL 6018/T)	STANDARD
2	BLACK	ON REQUEST ONLY
3	GREY(RAL 7004/P)	ON REQUEST ONLY
4	BLUE(RAL 5015/A)	ON REQUEST ONLY

NOTES:

MATERIALS

- 1-1 HOUSING: THERMALPLASTIC RESIN, UL 94V-0 RATED.
- 1-2 TERMINAL: COPPER ALLOY, TIN PLATED.
- 2. PRODUCTION SPECIFICATION REFER TO FCI GS-12-625.
- 3. BOXED PACKAGING.
DETAILED PRODUCT PACKING SPECIFICATION REFER TO FCI GS-14-1394.
- 4. FCI, SAFETY CERTIFICATE LOGO AND SERIES NAME TO BE SHOWN ON PRODUCT SURFACE.
- 5. THE PRODUCTS WHERE THE PART NUMBER END IN "LF" MEET THE EUROPEAN UNION DIRECTIVE AND OTHER COUNTRY REGULATIONS AS DESCRIBED IN GS-22-008.
- 6. RECOMENDED SOLDERING PROCESS BY WAVE SOLDER.

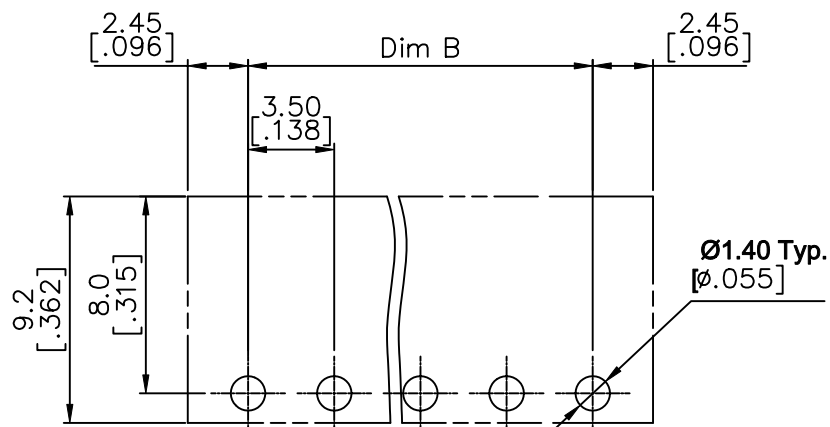
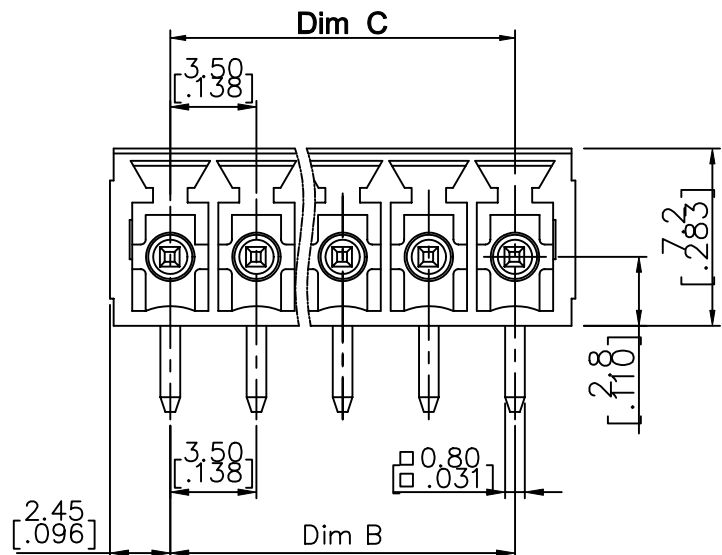
mat'l. code				surface ASME Y14.5 ✓		tolerance ASME Y14.5		projection 		product family TERMINAL BLOCK	
ltr	ecn no	dr	date	tolerances unless otherwise specified							
H	T10-0193	WL	122310	angles 	X.±0.5[.020]		MM		title TERMINAL BLOCK PLUGGABLE SOCKET, RIGHT ANGLE dwg no 20020110 sheet 1 of 5 size A4 type CUSTOMER Drawing		
J	T11-0013	WL	040811		X.X±0.3[.012]		[INCH]				
K	T-004746	WL	072011		X*±1*		X.XX±0.1[.004]				
				dr	BEER FU	062509					
				enr	BEER FU	062509					
				chr	GARY HSIEH	062509					
				appd	JOSEPH HSIA	062509					
sheet index	revision	K	K	K	K	K	K				
	sheet	1	2	3	4	5					



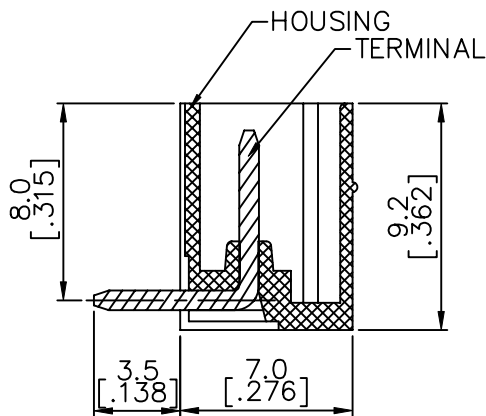
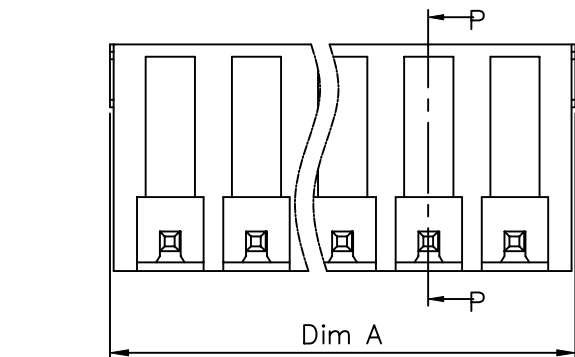
PRODUCT NUMBER	SERIES NAME	PITCH
20020110-CXXXXXXLF	06-350	3.50 mm

1

2



RECOMMENDED P.C.B LAYOUT



SECTION P-P

N= NUMBER OF POLES
DIMENSION

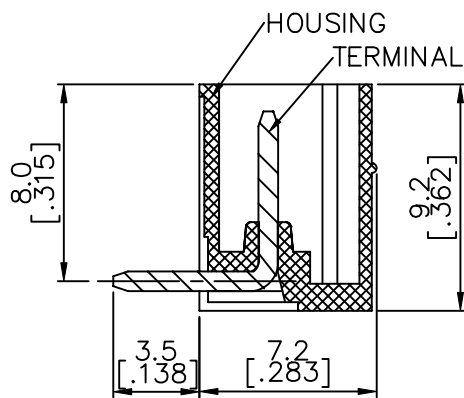
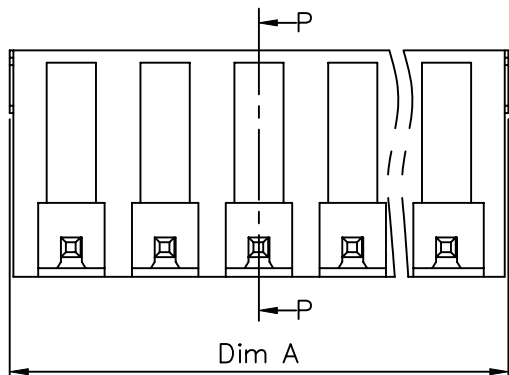
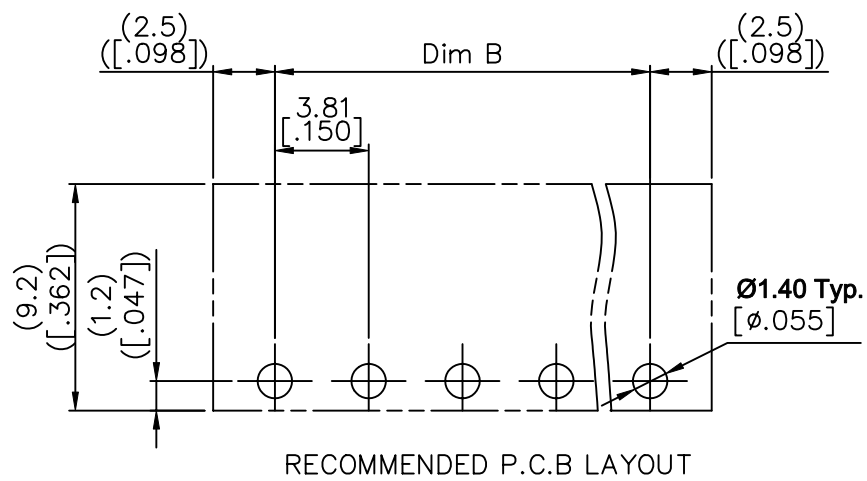
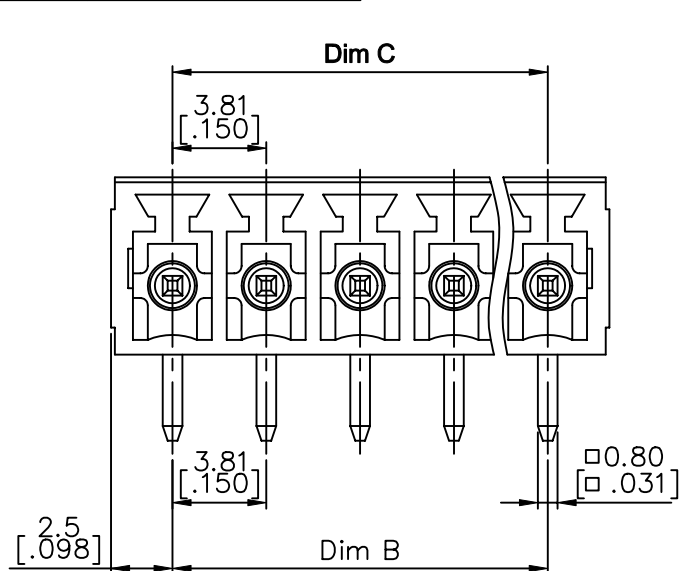
Dim A	$(N-1) \times 3.5 [.138] + 4.9 [.193]$
Dim B	$(N-1) \times 3.5 [.138]$
Dim C	$(N-1) \times 3.5 [.138]$

Poles	Tolerance
2P-6P	$\pm 0.15 [.006]$
7P-12P	$\pm 0.20 [.008]$
13P-18P	$\pm 0.25 [.010]$
19P-24P	$\pm 0.30 [.012]$

mat'l. code		surface ASME Y14.5	tolerance ASME Y14.5	projection 	product family TERMINAL BLOCK
ltr	ecn no	dr	date	tolerances unless otherwise specified X ± 0.5 [.020] X.X ± 0.3 [.012] X ± 1° X.XX ± 0.1 [.004]	title TERMINAL BLOCK PLUGABLE, SOCKET, SIGNAL, R/A
K					
				MM INCH	dwg no 20020110 sheet 2 of 5 size A4
				scale	
				dr	FCI type CUSTOMER Drawing
				enr	
				chr	
				app	
sheet index	revision sheet				



PRODUCT NUMBER	SERIES NAME	PITCH
20020110-DXXXXXL	06-381	3.81 mm



N= NUMBER OF POLES
DIMENSION

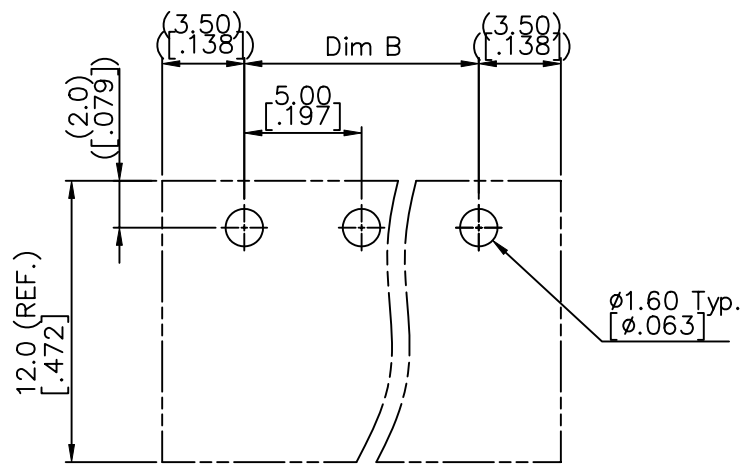
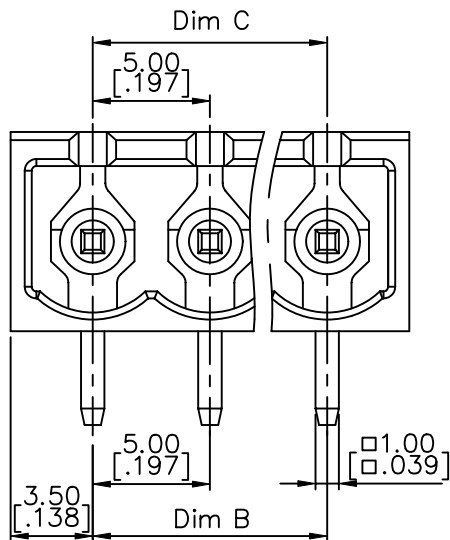
Dim A	$(N-1) \times 3.81 [.150] + 5.0 [.197]$
Dim B	$(N-1) \times 3.81 [.150]$
Dim C	$(N-1) \times 3.81 [.150]$

Poles	Tolerance
2p-6p	$\pm 0.15 [.006]$
7p-12p	$\pm 0.20 [.008]$
13p-16p	$\pm 0.25 [.010]$
17p-24p	$\pm 0.30 [.012]$

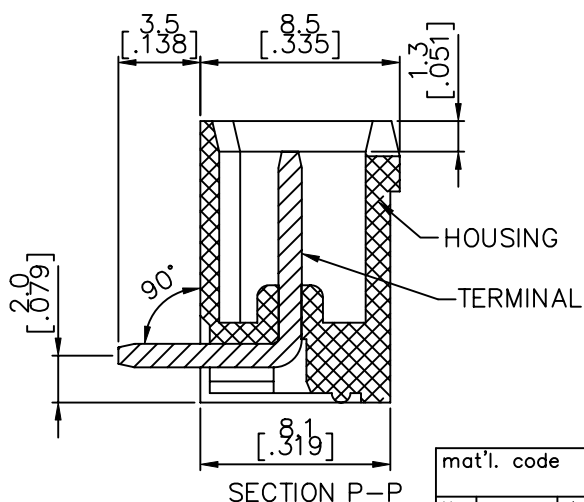
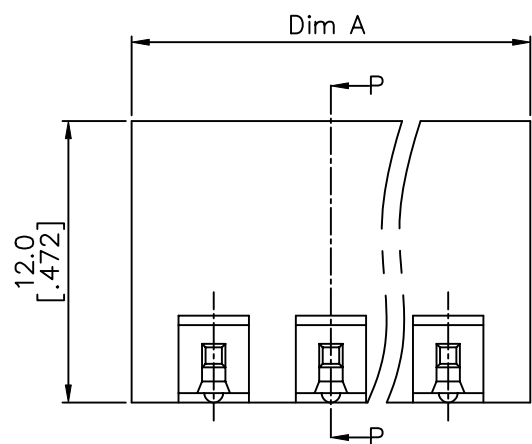
mat'l. code	surface ASME Y14.5	tolerance ASME Y14.5	projection MM INCH	product family TERMINAL BLOCK
ltr	ecn no	dr	date	title
K				TERMINAL BLOCK PLUGABLE, SOCKET, SIGNAL, R/A
	angles	inches	scale	dwg no
	X°±1'	X.X±0.5 [.020] X.X±0.3 [.012] X.XX±0.1 [.004]		sheet 3 of 5 size
	dr	BEER FU	062509	20020110
	enr	BEER FU	062509	A4
	chr	GARY HSIEH	062509	type
	app	JOSEPH HSIA	062509	CUSTOMER Drawing
sheet index	revision sheet			



PRODUCT NUMBER	SERIES NAME	PITCH
20020110-GXXXXXXLF	06-500	5.00 mm



RECOMMENDED P.C.B LAYOUT



N = NUMBER OF POLES
DIMENSION

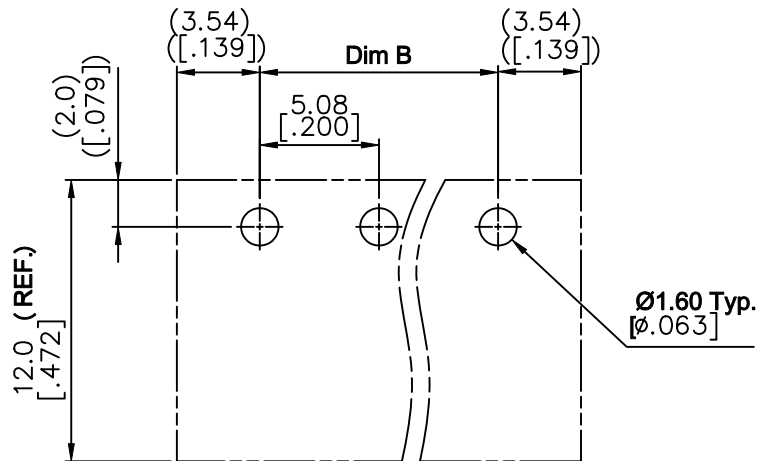
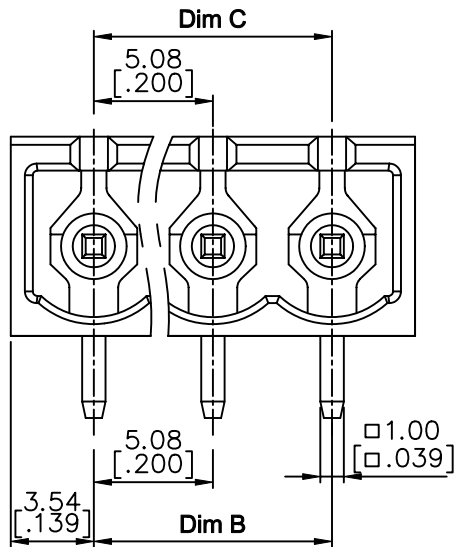
Dim A	$N * 5.0 [.197] + 2.0 [.193]$
Dim B	$(N - 1) * 5.0 [.197]$
Dim C	$(N - 1) * 5.0 [.197]$

Poles	Tolerance
2p-6p	$\pm 0.15 [.006]$
7p-12p	$\pm 0.25 [.010]$
13p-16p	$\pm 0.35 [.014]$
17p-24p	$\pm 0.40 [.016]$

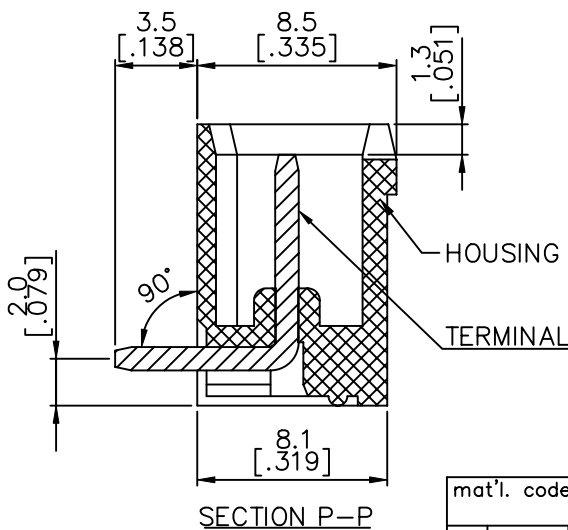
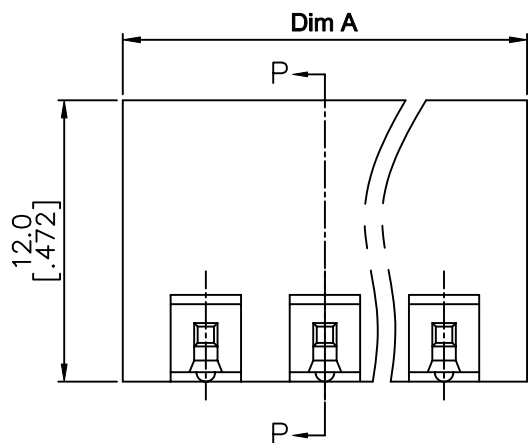
mat'l. code	surface ASME Y14.5	tolerance ASME Y14.5	projection 	product family TERMINAL BLOCK
ltr	ecn no	dr	date	title
K				TERMINAL BLOCK PLUGABLE, SOCKET, SIGNAL, R/A
	angles	tolerances unless otherwise specified	scale	dwg no
	X°±1'	X.±0.5 [.020] X.X±0.3 [.012] X.XX±0.1 [.004]	MM INCH	sheet 4 of 5 size
	dr	BEER FU	062509	20020110
	enr	BEER FU	062509	A4
	chr	GARY HSIEH	062509	type
	app	JOSEPH HSIA	062509	CUSTOMER Drawing
sheet index	revision sheet			



PRODUCT NUMBER	SERIES NAME	PITCH
20020110-HXXXXXXLF	06-508	5.08 mm



RECOMMENDED P.C.B LAYOUT



N = NUMBER OF POLES
DIMENSION

Dim A	$N*5.08[.200]+2.0[.193]$
Dim B	$(N-1)*5.08[.200]$
Dim C	$(N-1)*5.08[.200]$

Poles	Tolerance
2p-6p	$\pm 0.15[.006]$
7p-12p	$\pm 0.25[.010]$
13p-16p	$\pm 0.35[.014]$
17p-24p	$\pm 0.40[.016]$

mat'l. code	surface ASME Y14.5	tolerance ASME Y14.5	projection 	product family TERMINAL BLOCK
ltr	ecn no	dr	date	title
K				TERMINAL BLOCK PLUGABLE, SOCKET, SIGNAL, R/A
	angles	tolerances unless otherwise specified	MM INCH	scale
	X°±1'	X.±0.5[.020] X.X±0.3[.012] X.XX±0.1[.004]		
	dr	BEER FU	062509	dwg no
	enr	BEER FU	062509	sheet 5 of 5 size
	chr	GARY HSIEH	062509	20020110
	app	JOSEPH HSIA	062509	A4
sheet index	revision sheet			type CUSTOMER Drawing

