



Chipsmall Limited consists of a professional team with an average of over 10 year of expertise in the distribution of electronic components. Based in Hongkong, we have already established firm and mutual-benefit business relationships with customers from,Europe,America and south Asia,supplying obsolete and hard-to-find components to meet their specific needs.

With the principle of “Quality Parts,Customers Priority,Honest Operation,and Considerate Service”,our business mainly focus on the distribution of electronic components. Line cards we deal with include Microchip,ALPS,ROHM,Xilinx,Pulse,ON,Everlight and Freescale. Main products comprise IC,Modules,Potentiometer,IC Socket,Relay,Connector.Our parts cover such applications as commercial,industrial, and automotives areas.

We are looking forward to setting up business relationship with you and hope to provide you with the best service and solution. Let us make a better world for our industry!



Contact us

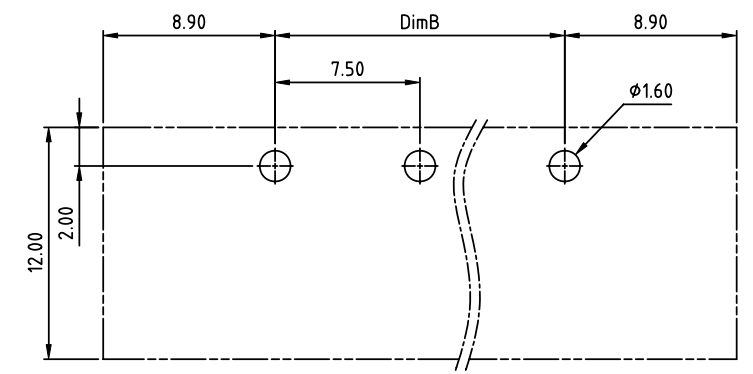
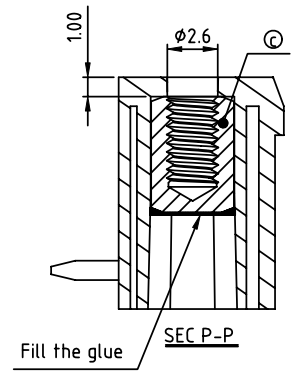
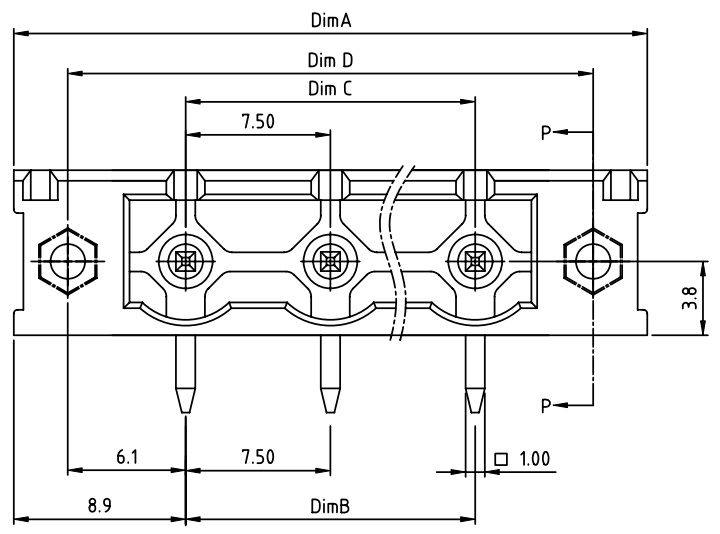
Tel: +86-755-8981 8866 Fax: +86-755-8427 6832

Email & Skype: info@chipsmall.com Web: www.chipsmall.com

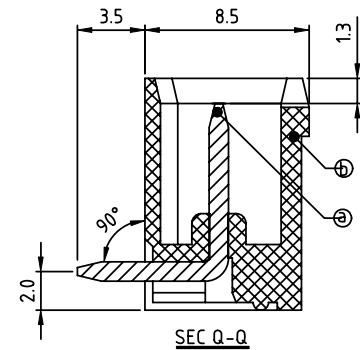
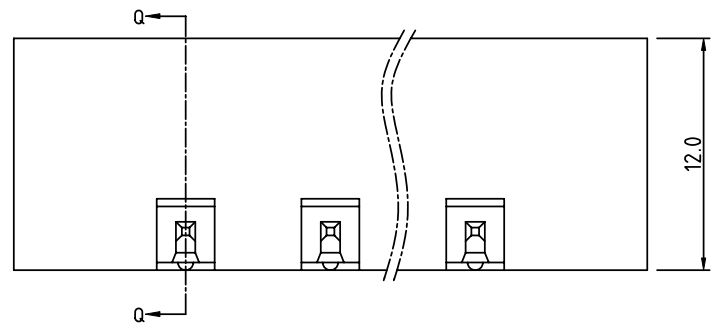
Address: A1208, Overseas Decoration Building, #122 Zhenhua RD., Futian, Shenzhen, China



PRODUCT NUMBER	PITCH
OQxxA5x100J0G	7.50 mm



RECOMMENDED P.C.B LAYOUT
TOP VIEW



- Material:
- Item ① Male contact pin: Copper Tin plated
 - Item ② Terminal housing: Thermoplastic (UL94V-0)
 - Item ③ Flange nut: Brass M2.5
- Electrical: cULus TUV
- Voltage rating: 300V 750V
 - Current rating: 20A 15A
 - Withstanding Voltage: 1.6 KV 6KV
 - Operating temperature: -40°C to +115°C
 - Soldering temperature: 260°C±5°C/5 Sec
 - Safety Approval: cULus TÜV

DIMENSION

Dim A	(N+1)×7.5+2.8
Dim B&C	(N-1)×7.5
Dim D	(N-1)×7.5+12.2

N= NUMBER OF POLES

Poles	Tolerance
2P-6P	±0.20
7P-12P	±0.30
13P-16P	±0.40

PART NO.: OQ xx A 5 x 1 00J0 G

- | | | |
|--------------|---------------------|--|
| No. of poles | 0 Black (RAL9005) | RoHS compliant
(lead<4%)
In copper Alloy |
| 02 2 poles | 2 Red (RAL3001/D) | |
| 03 3 poles | 3 Orange(RAL2011/P) | |
| ... | 4 Yellow(RAL1018/A) | |
| 16 16 poles | 5 Green(RAL6018/T) | |
| | 6 Blue (RAL5015/A) | |
| | 8 Grey(RAL7035/D) | |
| | 9 White(RAL1102) | |
| | C Green(RAL6018/U) | |

mat'l. code		surface ASME Y14.5	tolerance ASME Y14.5	projection	product family TERMINAL BLOCK
ltr	ecn no	dr	date	tolerances unless otherwise specified	title TERMINAL BLOCK
				angles X±0.5	scale PLUGGABLE SOCKET, WITH FLANGE, RIGHT ANGLE
				dr HANKE FENG 040414	dwg no OQxxA5x100J0G
				enr HANKE FENG 040414	sheet 1 of 1 size A4
				chr SHI JUN 040414	type CUSTOMER Drawing
				appd SHI JUN 040414	
sheet index	revision	A			
	sheet	1			