



Chipsmall Limited consists of a professional team with an average of over 10 year of expertise in the distribution of electronic components. Based in Hongkong, we have already established firm and mutual-benefit business relationships with customers from,Europe,America and south Asia,supplying obsolete and hard-to-find components to meet their specific needs.

With the principle of “Quality Parts,Customers Priority,Honest Operation,and Considerate Service”,our business mainly focus on the distribution of electronic components. Line cards we deal with include Microchip,ALPS,ROHM,Xilinx,Pulse,ON,Everlight and Freescale. Main products comprise IC,Modules,Potentiometer,IC Socket,Relay,Connector.Our parts cover such applications as commercial,industrial, and automotives areas.

We are looking forward to setting up business relationship with you and hope to provide you with the best service and solution. Let us make a better world for our industry!



Contact us

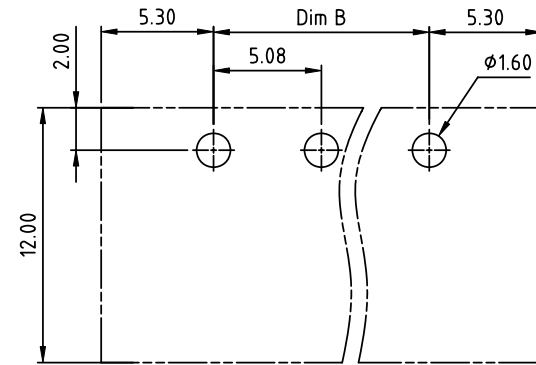
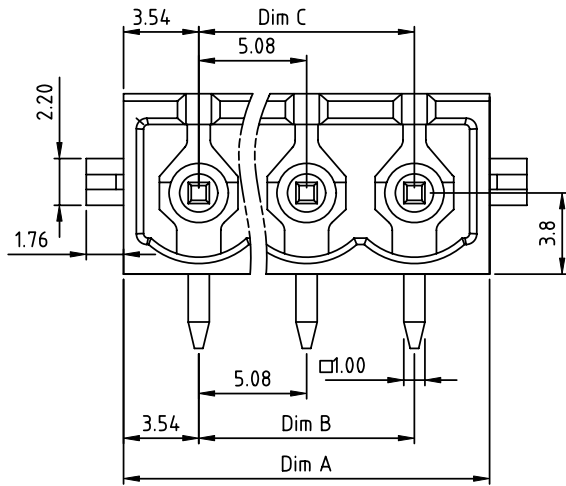
Tel: +86-755-8981 8866 Fax: +86-755-8427 6832

Email & Skype: info@chipsmall.com Web: www.chipsmall.com

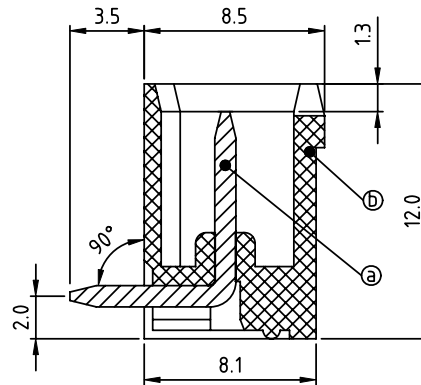
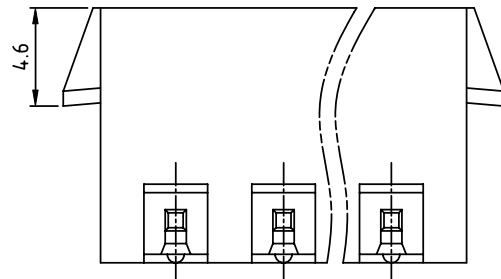
Address: A1208, Overseas Decoration Building, #122 Zhenhua RD., Futian, Shenzhen, China



PRODUCT NUMBER	PITCH
0Qxx54x103J0G	5.08 mm



RECOMMENDED P.C.B. LAYOUT
TOP VIEW



Material:

- Item (a) Male contact pin: Copper Tin plated
- Item (b) Terminal housing: Thermoplastic (UL94V-0)

Electrical:

- Voltage rating: 300V/300V/300V
- Current rating: 20A/20A/20A
- Withstanding Voltage: 1.6 KV/2.5KV/2.5KV
- Operating temperature: -40°C to +115°C
- Soldering temperature: 260°C±5°C/5 Sec
- Safety Approval: cULus /VDE /TUV

DIMENSION

Dim A	N×5.08+2.0
Dim B&C	(N-1)×5.08

N = Number of poles

Poles	Tolerance
2-6p	±0.15
7-12p	±0.20
13-18p	±0.30
19-24p	±0.40

PART NO.: 0Q xx 5 4 x 1 03J0 G

No. of poles	0	Body Color	Black (RAL9005)	RoHS compliant	(lead<4% In copper Alloy)
02 2 poles	2	Red (RAL3001/D)			
03 3 poles	3	Orange(RAL2011/P)			
...	4	Yellow(RAL1018/A)			
24 24 poles	5	Green(RAL6018/T)			
	6	Blue (RAL5015/A)			
	8	Grey(RAL7035/D)			
	9	White(RAL1102)			
	C	Green(RAL6018/U)			

mat'l. code		surface ASME Y14.5	tolerance ASME Y14.5	projection	product family
ltr	ecn no	dr	date	tolerances unless otherwise specified	TERMINAL BLOCK
				angles φ E	title
				X°±1°	TERMINAL BLOCK
				X.XX±0.1	PLUGGABLE SOCKET, WITH LATCH, RIGHT ANGLE
		dr	HANKE FENG	040314	scale
		enr	HANKE FENG	040314	FCI
		chr	SHI JUN	040314	dwg no
		appd	SHI JUN	040314	sheet 1 of 1
sheet index	revision	A			size
	sheet	1			A4
					type
					CUSTOMER Drawing