



Chipsmall Limited consists of a professional team with an average of over 10 year of expertise in the distribution of electronic components. Based in Hongkong, we have already established firm and mutual-benefit business relationships with customers from,Europe,America and south Asia,supplying obsolete and hard-to-find components to meet their specific needs.

With the principle of “Quality Parts,Customers Priority,Honest Operation,and Considerate Service”,our business mainly focus on the distribution of electronic components. Line cards we deal with include Microchip,ALPS,ROHM,Xilinx,Pulse,ON,Everlight and Freescale. Main products comprise IC,Modules,Potentiometer,IC Socket,Relay,Connector.Our parts cover such applications as commercial,industrial, and automotives areas.

We are looking forward to setting up business relationship with you and hope to provide you with the best service and solution. Let us make a better world for our industry!



## Contact us

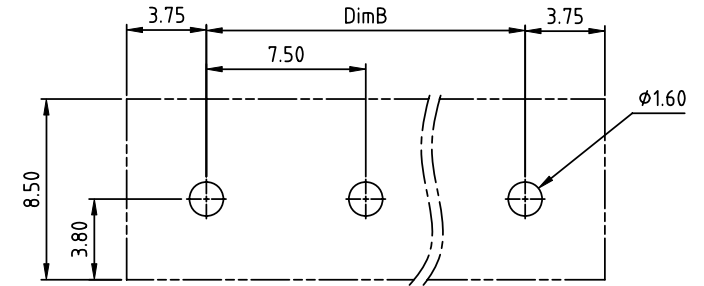
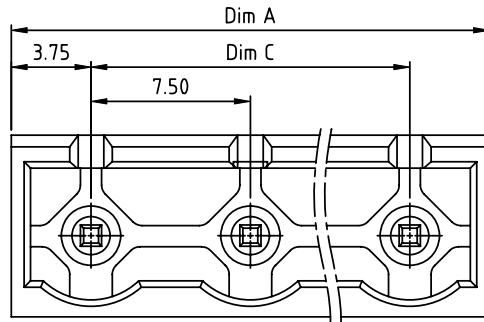
Tel: +86-755-8981 8866 Fax: +86-755-8427 6832

Email & Skype: info@chipsmall.com Web: www.chipsmall.com

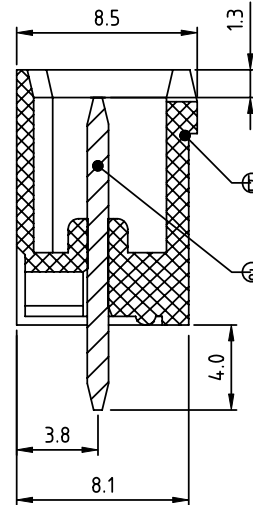
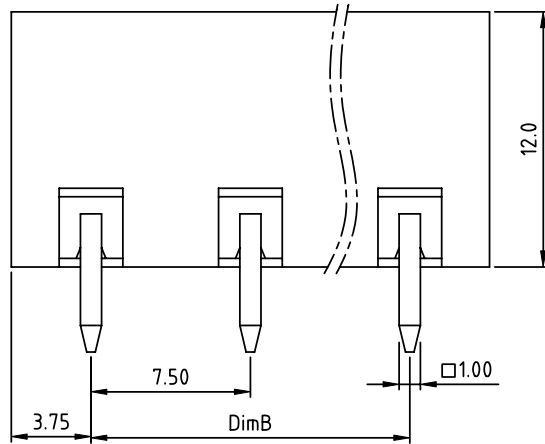
Address: A1208, Overseas Decoration Building, #122 Zhenhua RD., Futian, Shenzhen, China



PRODUCT NUMBER	PITCH
OQxxA1x000J0G	7.50 mm



RECOMMENDED P.C.B LAYOUT  
TOP VIEW



Material:

- Item ① Male contact pin: Copper Tin plated
- Item ② Terminal housing: Thermoplastic (UL94V-0)

Electrical:

- |                          |                 |      |
|--------------------------|-----------------|------|
|                          | cULus           | TUV  |
| ● Voltage rating:        | 300V            | 750V |
| ● Current rating:        | 20A             | 15A  |
| ● Withstanding Voltage:  | 1.6 KV          | 6KV  |
| ● Operating temperature: | -40°C to +115°C |      |
| ● Soldering temperature: | 260°C±5°C/5 Sec |      |
| ● Safety Approval:       |                 |      |

DIMENSION

Dim A	NX7.5
Dim B&C	(N-1)X7.5

N= NUMBER OF POLES

Poles	Tolerance
2P-6P	±0.20
7P-12P	±0.30
13P-16P	±0.40

PART NO.: OQ xx A 1 x 0 00J0 G

- |              |     |                   |   |                   |                 |
|--------------|-----|-------------------|---|-------------------|-----------------|
| No. of poles | 0   | Body Color        | 0 | Black (RAL9005)   | RoHS compliant  |
| 02 2 poles   | 2   | Red (RAL3001/D)   | 1 | Red (RAL3001/D)   | (lead<4%)       |
| 03 3 poles   | 3   | Orange(RAL2011/P) | 2 | Orange(RAL2011/P) | In copper Alloy |
| ...          | ... | Yellow(RAL1018/A) | 3 | Yellow(RAL1018/A) |                 |
| 16 16 poles  | 4   | Green(RAL6018/T)  | 4 | Green(RAL6018/T)  |                 |
|              | 5   | Blue (RAL5015/A)  | 5 | Blue (RAL5015/A)  |                 |
|              | 6   | Grey(RAL7035/D)   | 6 | Grey(RAL7035/D)   |                 |
|              | 7   | White(RAL1102)    | 7 | White(RAL1102)    |                 |
|              | 8   | Green(RAL6018/U)  | 8 | Green(RAL6018/U)  |                 |

mat'l. code		surface ASME Y14.5	tolerance ASME Y14.5	projection	product family TERMINAL BLOCK
ltr	ecn no	dr	date		title TERMINAL BLOCK
				tolerances unless otherwise specified	PLUGGABLE SOCKET,CLOSE TYPE,VERTICAL
				angles	scale
				parallel	MM
				perpendicular	
				X°±1°	scale
				X.±0.5	FCI
				X.X±0.3	dwg no
				X.XX±0.1	sheet 1 of 1 size
		dr	HANKE FENG	040414	0QxxA1x000J0G
		enr	HANKE FENG	040414	A4
		chr	SHI JUN	040414	type
		appd	SHI JUN	040414	CUSTOMER Drawing
sheet index	revision sheet	A	1		