



Chipsmall Limited consists of a professional team with an average of over 10 year of expertise in the distribution of electronic components. Based in Hongkong, we have already established firm and mutual-benefit business relationships with customers from,Europe,America and south Asia,supplying obsolete and hard-to-find components to meet their specific needs.

With the principle of "Quality Parts,Customers Priority,Honest Operation,and Considerate Service",our business mainly focus on the distribution of electronic components. Line cards we deal with include Microchip,ALPS,ROHM,Xilinx,Pulse,ON,Everlight and Freescale. Main products comprise IC,Modules,Potentiometer,IC Socket,Relay,Connector.Our parts cover such applications as commercial,industrial, and automotives areas.

We are looking forward to setting up business relationship with you and hope to provide you with the best service and solution. Let us make a better world for our industry!



Contact us

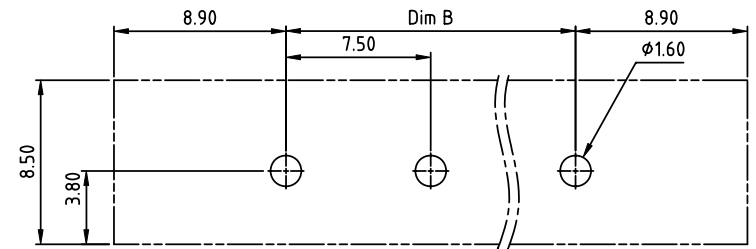
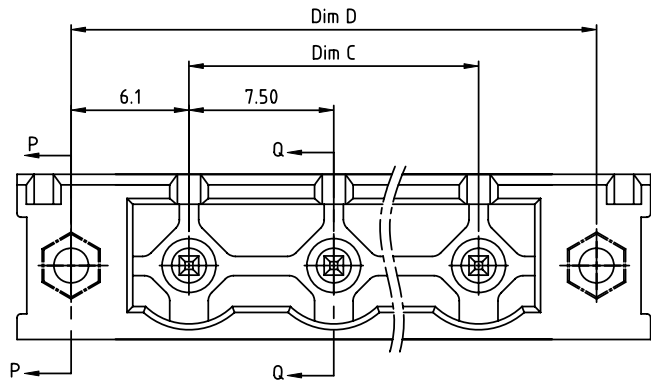
Tel: +86-755-8981 8866 Fax: +86-755-8427 6832

Email & Skype: info@chipsmall.com Web: www.chipsmall.com

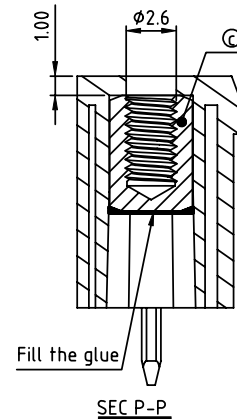
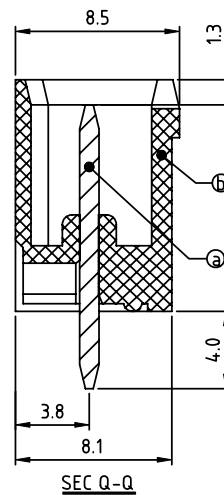
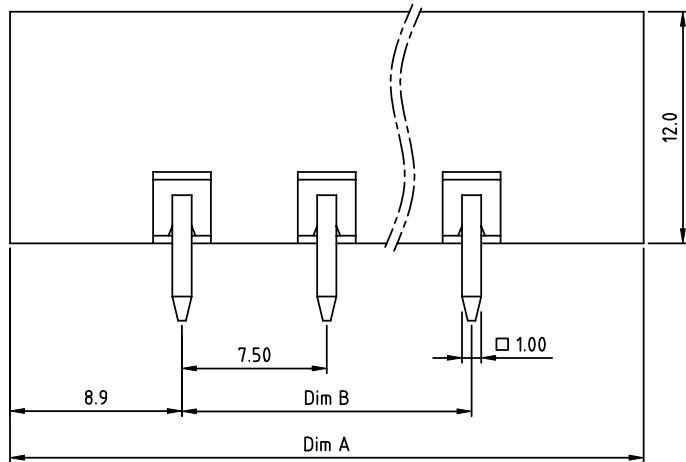
Address: A1208, Overseas Decoration Building, #122 Zhenhua RD., Futian, Shenzhen, China



PRODUCT NUMBER	PITCH
OQxxA5x000J0G	7.50 mm



RECOMMENDED P.C.B LAYOUT
TOP VIEW



- Material:
- Item ① Male contact pin: Copper Tin plated
 - Item ② Terminal housing: Thermoplastic (UL94V-0)
 - Item ③ Flange nut: Brass M2.5
- Electrical:
- | | | |
|--------------------------|-----------------|------|
| | cULus | TUV |
| ● Voltage rating: | 300V | 750V |
| ● Current rating: | 20A | 15A |
| ● Withstanding Voltage: | 1.6 KV | 6KV |
| ● Operating temperature: | -40°C to +115°C | |
| ● Soldering temperature: | 260°C±5°C/5 Sec | |
- Safety Approval:

DIMENSION

Dim A	$(N+1) \times 7.5 + 2.8$
Dim B & C	$(N-1) \times 7.5$
Dim D	$(N-1) \times 7.5 + 12.2$

N= NUMBER OF POLES

Poles	Tolerance
2P-6P	±0.20
7P-12P	±0.30
13P-16P	±0.40

PART NO.: OQ xx A 5 x 0 00J0 G

- | | | | | | |
|--------------|----------|------------|-------------------|-----------------|-----------|
| No. of poles | 0 | Body Color | Black (RAL9005) | RoHS compliant | (lead<4%) |
| 02 | 2 poles | 2 | Red (RAL3001/D) | In copper Alloy | |
| 03 | 3 poles | 3 | Orange(RAL2011/P) | | |
| ... | ... | 4 | Yellow(RAL1018/A) | | |
| 16 | 16 poles | 5 | Green(RAL6018/T) | | |
| | | 6 | Blue (RAL5015/A) | | |
| | | 8 | Grey(RAL7035/D) | | |
| | | 9 | White(RAL1102) | | |
| | | C | Green(RAL6018/U) | | |

mat'l. code		surface ASME Y14.5	tolerance ASME Y14.5	projection	product family
ltr	ecn no	dr	date		TERMINAL BLOCK
				tolerances unless otherwise specified	title
				angles	TERMINAL BLOCK
				$X \pm 0.5$	PLUGGABLE SOCKET, WITH FLANGE, VERTICAL
				$X.X \pm 0.3$	scale
				$X^* \pm 1^*$	\leftarrow MM \rightarrow
				dr	HANKE FENG 040414
				enr	HANKE FENG 040414
				chr	SHI JUN 040414
				appd	SHI JUN 040414
sheet index		revision	A		dwg no
		sheet	1		sheet 1 of 1
				type	OQxxA5x000J0G
					A4
					CUSTOMER Drawing