



Chipsmall Limited consists of a professional team with an average of over 10 year of expertise in the distribution of electronic components. Based in Hongkong, we have already established firm and mutual-benefit business relationships with customers from,Europe,America and south Asia,supplying obsolete and hard-to-find components to meet their specific needs.

With the principle of “Quality Parts,Customers Priority,Honest Operation,and Considerate Service”,our business mainly focus on the distribution of electronic components. Line cards we deal with include Microchip,ALPS,ROHM,Xilinx,Pulse,ON,Everlight and Freescale. Main products comprise IC,Modules,Potentiometer,IC Socket,Relay,Connector.Our parts cover such applications as commercial,industrial, and automotives areas.

We are looking forward to setting up business relationship with you and hope to provide you with the best service and solution. Let us make a better world for our industry!



## Contact us

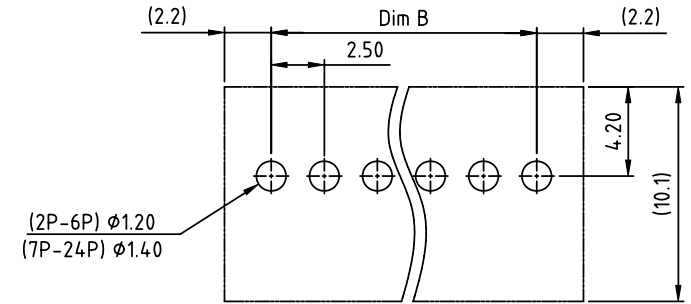
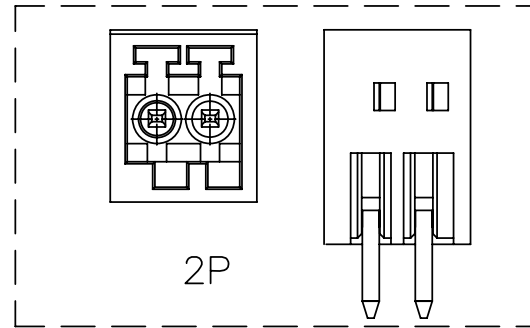
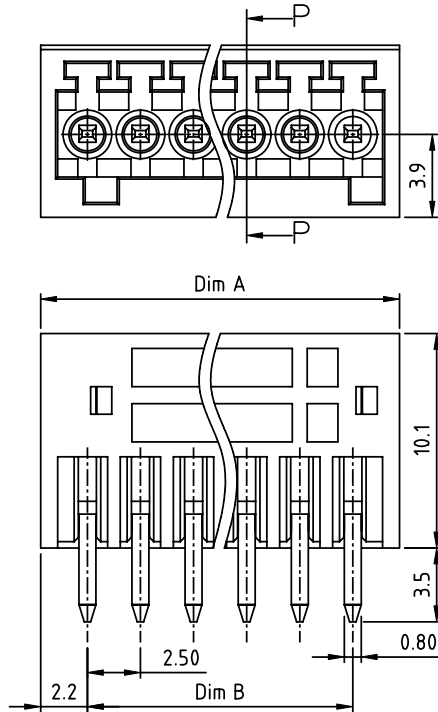
Tel: +86-755-8981 8866 Fax: +86-755-8427 6832

Email & Skype: info@chipsmall.com Web: www.chipsmall.com

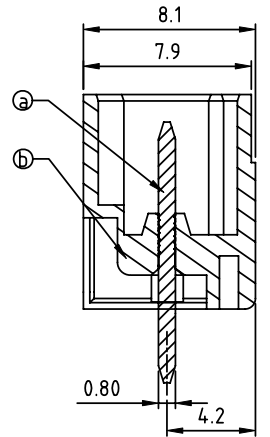
Address: A1208, Overseas Decoration Building, #122 Zhenhua RD., Futian, Shenzhen, China



PRODUCT NUMBER	PITCH
OQxxB1x000J0G	2.50 mm



RECOMMENDED P.C.B LAYOUT  
TOP VIEW



SECTION P-P

Material:

- Item ③ Male contact pin: Copper Tin plated
- Item ④ Terminal housing: Thermoplastic (UL94V-0)

Electrical:

- Voltage rating: 150V
- Current rating: 4A
- Withstanding Voltage: 1.3KV
- Operating temperature: -40°C to +115°C
- Soldering temperature: 260°C±5°C/5 Sec
- Safety Approval:

Dimension

Dim A	N×2.5+1.9
Dim B	(N-1)×2.5

N=Number of poles

Poles	Tolerance
2p-6p	±0.10
7p-12p	±0.15
13p-18p	±0.20
19p-24p	±0.30

OQ xx B 1 x 0 00J0 G

No. OF POLES	Color	RoHS compliant
02: 2 POLES	0 Black (RAL9005)	(lead<4%)
...	2 Red (RAL3001/D)	In copper Alloy
24: 24 POLES	3 Orange(RAL2011/P)	
	4 Yellow(RAL1018/A)	
	5 Green(RAL6018/T)	
	6 Blue (RAL5015/A)	
	8 Grey(RAL7035/D)	
	9 White(RAL1102)	
	C Green(RAL6018/U)	

mat'l. code		surface ASME Y14.5	tolerance ASME Y14.5	projection	product family TERMINAL BLOCK	
ltr	ecn no	dr	date		title	
					TERMINAL BLOCK PLUGGABLE SOCKET,VERTICAL	
				MM	scale	
					sheet 1 of 1 size	
					OQxxB1x000J0G	
					CUSTOMER Drawing	
					A4	
sheet index	revision sheet	A	1			