



Chipsmall Limited consists of a professional team with an average of over 10 year of expertise in the distribution of electronic components. Based in Hongkong, we have already established firm and mutual-benefit business relationships with customers from,Europe,America and south Asia,supplying obsolete and hard-to-find components to meet their specific needs.

With the principle of “Quality Parts,Customers Priority,Honest Operation,and Considerate Service”,our business mainly focus on the distribution of electronic components. Line cards we deal with include Microchip,ALPS,ROHM,Xilinx,Pulse,ON,Everlight and Freescale. Main products comprise IC,Modules,Potentiometer,IC Socket,Relay,Connector.Our parts cover such applications as commercial,industrial, and automotives areas.

We are looking forward to setting up business relationship with you and hope to provide you with the best service and solution. Let us make a better world for our industry!



## Contact us

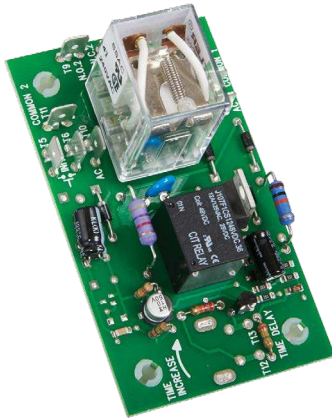
Tel: +86-755-8981 8866 Fax: +86-755-8427 6832

Email & Skype: info@chipsmall.com Web: www.chipsmall.com

Address: A1208, Overseas Decoration Building, #122 Zhenhua RD., Futian, Shenzhen, China



# ORS SERIES



## Description

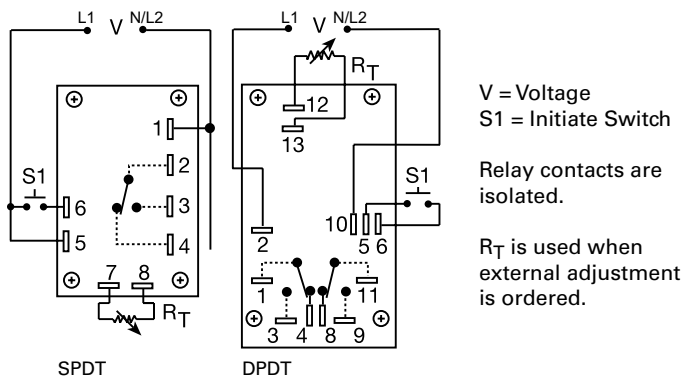
The ORS Series' open PCB construction offers the user good economy without sacrificing performance and reliability. The output relay is available in isolated, 10A, DPDT or SPDT forms. The time delay may be ordered as factory fixed, onboard knob, or external adjustment. All connections are 0.25 in. (6.35 mm) male quick connect terminals.

### Operation (Single Shot)

Input voltage must be applied before and during timing. Upon momentary or maintained closure of the initiate switch (leading edge triggered), the output relay energizes for a measured interval of time. At the end of the time delay, the output de-energizes. Opening or reclosing the initiate switch during timing has no effect on the time delay. The output will energize if the initiate switch is closed when input voltage is applied.

**Reset:** Reset occurs when the time delay is complete and the initiate switch is opened. Loss of input voltage resets the time delay and output.

## Wiring Diagram



## Features & Benefits

FEATURES	BENEFITS
<b>Open PCB construction</b>	Reduces cost without sacrificing performance and reliability
<b>Analog circuitry</b>	Repeat accuracy + / - 2%, Factory calibration + / - 10%
<b>Isolated, 10A, SPDT or DPDT output contacts</b>	Allows control of loads for AC or DC voltages
<b>Line voltage initiation</b>	Separate control voltage is not required for operation

## Accessories

**P1004-12, P1004-12-X Versa-Pot**  
Panel mountable, industrial potentiometer recommended for remote time delay adjustment.

**P0700-7 Versa-Knob**  
Designed for 0.25 in (6.35 mm) shaft of Versa-Pot. Semi-gloss industrial black finish.

**P1015-64 (AWG 14/16) Female Quick Connect**  
These 0.25 in. (6.35 mm) female terminals are constructed with an insulator barrel to provide strain relief.

**P1015-18 Quick Connect to Screw Adapter**  
Screw adapter terminal designed for use with all modules with 0.25 in. (6.35 mm) male quick connect terminals.

## Ordering Information

MODEL	INPUT VOLTAGE	ADJUSTMENT	TIME DELAY	OUTPUT FORM
ORS120A150SD	120VAC	Fixed	50s	DPDT
ORS230A150SD	230VAC	Fixed	50s	DPDT

If you don't find the part you need, call us for a custom product 800-843-8848

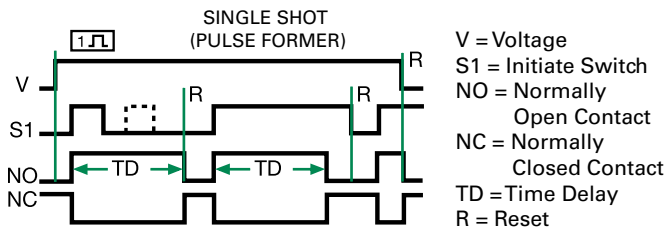
# ORS SERIES

## Selection Guide

R <sub>T</sub> Selection Chart					
Desired Time Delay*					R <sub>T</sub> Megohm
Seconds					
1	2	3	4	5	
0.05	0.5	0.6	1.2	3.0	0.0
0.5	5.0	10	20	50	0.5
1.0	10	20	40	100	1.0
1.5	15	30	60	150	1.5
2.0	20	40	80	200	2.0
2.5	25	50	100	250	2.5
3.0	30	60	120	300	3.0

\* When selecting an external R<sub>T</sub> add at least 20% for tolerance of unit and the R<sub>T</sub>.

## Function Diagram



## Specifications

### Time Delay

#### Type

Analog circuitry

#### Range

0.05 - 300s in 5 adjustable ranges or fixed

#### Repeat Accuracy

±2% or 20ms, whichever is greater

#### Tolerance

#### (Factory Calibration)

Adjustable: guaranteed range

Fixed: ±10%

#### Reset Time

≤ 50ms

#### Initiate Time

≤ 70ms

#### Time Delay vs Temp.

≤ ±10%

#### & Voltage

#### Input

#### Voltage

24, 120, or 230VAC

#### Tolerance

#### 24VAC

-15% - 20%

#### 120 & 230VAC

-20% - 10%

#### AC Line Frequency

50/60 Hz

#### Power Consumption

2.25W

#### Output

#### Type

Electromechanical relay

#### Form

Isolated, SPDT or DPDT

#### Rating

10A resistive @ 120/240VAC & 28VDC;

1/3 hp @ 120/240VAC

Mechanical - 1x10<sup>7</sup>; Electrical - 1x10<sup>6</sup>

#### Life

#### Protection

≥1500V RMS input to output

#### Isolation Voltage

#### Mechanical

#### Mounting

Surface mount with four #6 (M3.5 x 0.6) screws

#### Dimensions

**H** 53.8 mm (2.12"); **W** 93.7 mm (3.69");

**D** 47.8 mm (1.88")

#### Termination

0.25 in. (6.35 mm) male quick connect terminals

#### Environmental

#### Operating/Storage

#### Temperature

-20° to 65°C / -30° to 85°C

#### Weight

≈ 2.7 oz (77 g)