



Chipsmall Limited consists of a professional team with an average of over 10 year of expertise in the distribution of electronic components. Based in Hongkong, we have already established firm and mutual-benefit business relationships with customers from,Europe,America and south Asia,supplying obsolete and hard-to-find components to meet their specific needs.

With the principle of “Quality Parts,Customers Priority,Honest Operation,and Considerate Service”,our business mainly focus on the distribution of electronic components. Line cards we deal with include Microchip,ALPS,ROHM,Xilinx,Pulse,ON,Everlight and Freescale. Main products comprise IC,Modules,Potentiometer,IC Socket,Relay,Connector.Our parts cover such applications as commercial,industrial, and automotives areas.

We are looking forward to setting up business relationship with you and hope to provide you with the best service and solution. Let us make a better world for our industry!



Contact us

Tel: +86-755-8981 8866 Fax: +86-755-8427 6832

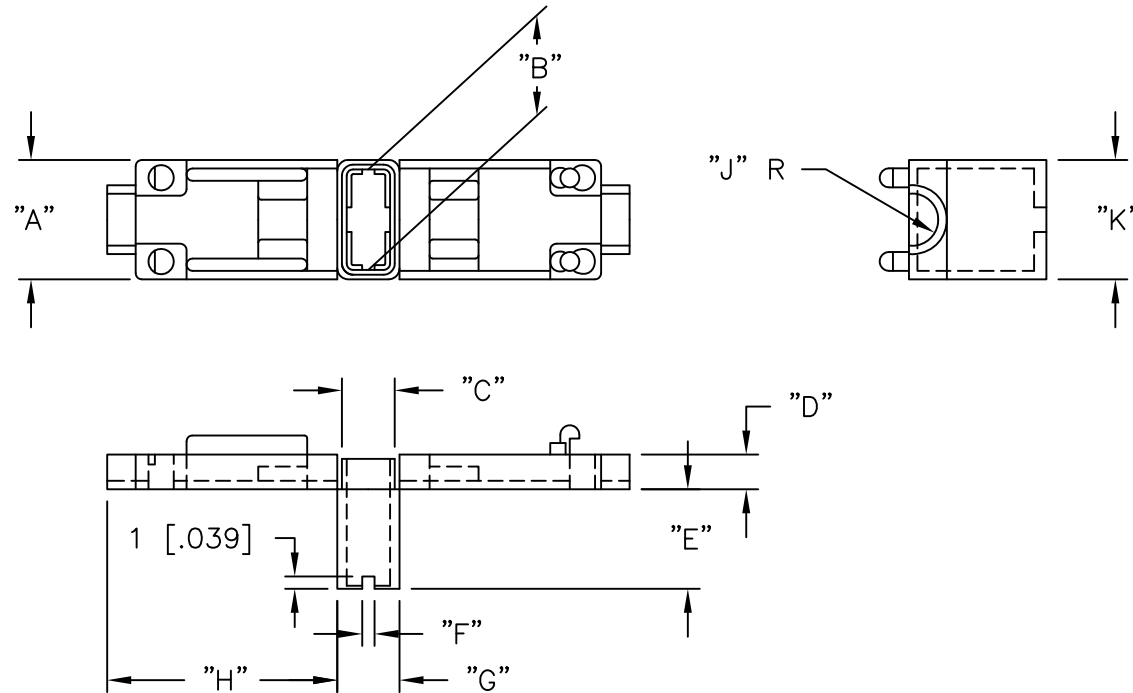
Email & Skype: info@chipsmall.com Web: www.chipsmall.com

Address: A1208, Overseas Decoration Building, #122 Zhenhua RD., Futian, Shenzhen, China



PART NO.	TERMINAL TYPE	WIRE DIA.	"A"	"B"	"C"	"D" REF	"E"	"F"	"G"	"H" REF	"J" REF	"K"	U.L. CAT. NO.
OS-187	STRAIGHT TYPE 187 SERIES	3.6 [9/64]	8.8 [.346]	6.1 [.240]	2.7 [.106]	2.6 [.102]	6.8 [.268]	1	3.9 [.154]	15.1 [.594]	1.8 [.071]	7.5 [.295]	51A
OS-250	STRAIGHT TYPE 250 SERIES	3.8 [5/32]	9.8 [.386]	7.9 [.311]	3.4 [.164]	2.8 [.110]	8 [.315]	[.039]	4.7 [.185]	18.5 [.728]	2.05 [.081]	9.1 [.358]	50B

AVAILABLE BY SPECIAL ORDER ONLY



NOTES:

1. MATERIAL: NYLON 6 UL94 V-2, (RMS-120).
2. COLOR: NATURAL.
3. ALTERNATE UNITS FOR REFERENCE ONLY.

F SEE CO 200479 FOR CHANGES SK 12.15.09 E SEE CO 200344 FOR CHANGES SK 03.18.09 D SEE CO 200041 FOR CHANGES SK 09.28.07 C SEE ECN #913 FOR CHANGES SK 01.12.05 B RMS-120 WAS RMS-61; CHANGED FILE NO. SM 10.25.01 A RMS-61 WAS RMS-28 PB 102794 REV DESCRIPTION ENGR DATE			TITLE: "ONE TOUCH" SLEEVE INSULATOR (OS SERIES)				DWG IN mm [IN]			
TOLERANCES UNLESS NOTED ±0.4 ANG=±1°			FILE # OS		DWN: P.B.		DT: 05-10-94		FINAL	
			MAT'L: SEE NOTES		CHKD:		ENG:		PART #	
			RE: RICHCO, INC.		RICHCO INC. ENG@RICHCO-INC.COM (773) 539-4060		SEE TABLE		PRINT TYPE CA	