



Chipsmall Limited consists of a professional team with an average of over 10 year of expertise in the distribution of electronic components. Based in Hongkong, we have already established firm and mutual-benefit business relationships with customers from,Europe,America and south Asia,supplying obsolete and hard-to-find components to meet their specific needs.

With the principle of “Quality Parts,Customers Priority,Honest Operation,and Considerate Service”,our business mainly focus on the distribution of electronic components. Line cards we deal with include Microchip,ALPS,ROHM,Xilinx,Pulse,ON,Everlight and Freescale. Main products comprise IC,Modules,Potentiometer,IC Socket,Relay,Connector.Our parts cover such applications as commercial,industrial, and automotives areas.

We are looking forward to setting up business relationship with you and hope to provide you with the best service and solution. Let us make a better world for our industry!



Contact us

Tel: +86-755-8981 8866 Fax: +86-755-8427 6832

Email & Skype: info@chipsmall.com Web: www.chipsmall.com

Address: A1208, Overseas Decoration Building, #122 Zhenhua RD., Futian, Shenzhen, China



OLED DISPLAY SOLUTIONS

Pictiva™ 1.2-inch 96x64 OLED display



OS096064PK12Mxxx0x

Features

- Long-lifetime OLED
- 180° viewing angle
- Fast response, video capable
- High contrast
- Wide operating temperature range
- RoHS compliant on selected models

Benefits

- Ease of readability
- No backlight required
- Low power consumption

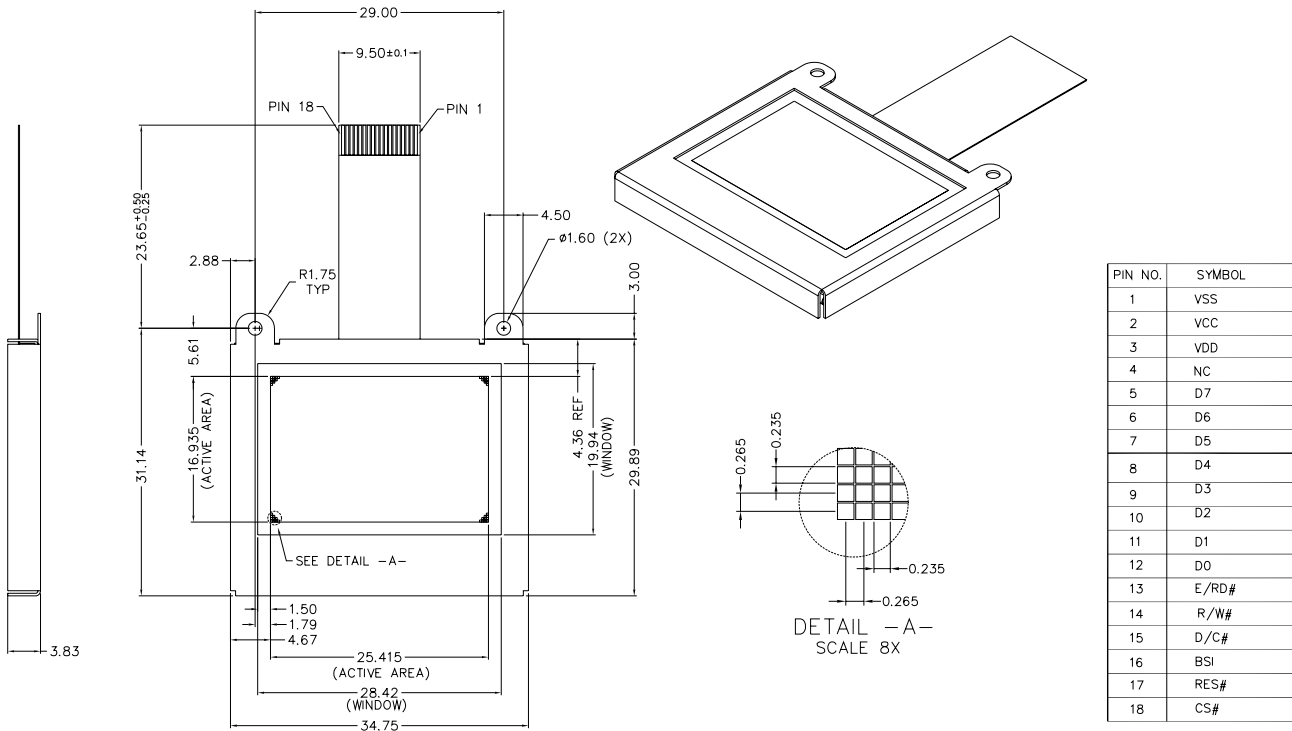
Applications

- Audio/Video
- Entertainment
- Industrial
- Medical
- Instruments

Specifications

Display Format	96 Columns x 64 Rows				
Diagonal	1.2 inch				
Pixel Pitch	0.265 (W) x 0.265 (H) mm				
Color, Luminance & lifetime	Color	CIE x	CIE y	Cd/m ²	Lifetime hrs, 25° C
	Elegance Yellow	0.46	0.54	100	40K
				200	10K
	Lime Green	0.37	0.62	150	10K
Tiger Orange	0.63	0.37	60	10K	
Grayscale	4 bit				
Active Area	25.42 (W) X 16.94 (H) mm				
Module Size	34.75 (W) X 32.89 (H) X 3.83* mm (T) * including bezel				
Viewing Angle	180°				
Contrast Ratio	2000:1 dark ambient				
Temperature	-30° C to 70° C				
Logic Voltage	2.4V – 3.5V				
Supply Voltage	12V				
Power Cons.	0.05 mW (sleep mode)				
Interface	Parallel/Serial				
Driver	SSD0323				
Weight	4.6g typical				

Mechanical Dimensions and Pin Description



Ordering Information

Part Number	Order Number	Description
OS096064PK12MY0Z00 *	Q65110A5715	Pictiva™ 1.2 inch 96x64 OLED Display, Elegance Yellow
OS096064PK12MY0A01	Q65110A1670	Pictiva™ 1.2 inch 96x64 OLED Display, Elegance Yellow
OS096064PK12MG1A00	Q65110A3431	Pictiva™ 1.2 inch 96x64 OLED Display, Lime Green
OS096064PK12MO1A00	Q65110A3433	Pictiva™ 1.2 inch 96x64 OLED Display, Tiger Orange

Note : * RoHS compliant product

Contact Information

OSRAM Opto Semiconductors

Asia : [+ 60\(0\) 4 631-8100](mailto:prasia@osram-os.com) prasia@osram-os.com
 Europe : [+ 49\(0\) 941-850-3535](mailto:pr@osram-os.com) pr@osram-os.com
 North America : [+ 1-888-446-7726 ext.4310](mailto:info@osram-os.com) info@osram-os.com
 Web : www.pictiva.com