



Chipsmall Limited consists of a professional team with an average of over 10 year of expertise in the distribution of electronic components. Based in Hongkong, we have already established firm and mutual-benefit business relationships with customers from,Europe,America and south Asia,supplying obsolete and hard-to-find components to meet their specific needs.

With the principle of "Quality Parts,Customers Priority,Honest Operation,and Considerate Service",our business mainly focus on the distribution of electronic components. Line cards we deal with include Microchip,ALPS,ROHM,Xilinx,Pulse,ON,Everlight and Freescale. Main products comprise IC,Modules,Potentiometer,IC Socket,Relay,Connector.Our parts cover such applications as commercial,industrial, and automotives areas.

We are looking forward to setting up business relationship with you and hope to provide you with the best service and solution. Let us make a better world for our industry!



Contact us

Tel: +86-755-8981 8866 Fax: +86-755-8427 6832

Email & Skype: info@chipsmall.com Web: www.chipsmall.com

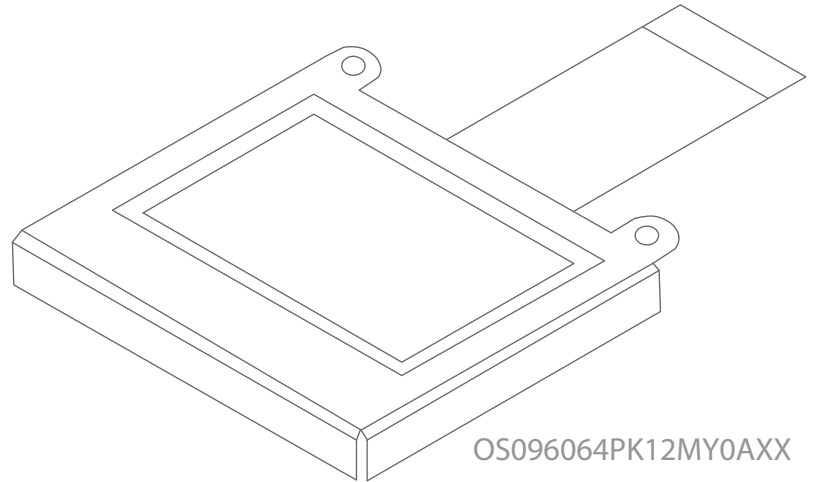
Address: A1208, Overseas Decoration Building, #122 Zhenhua RD., Futian, Shenzhen, China



OLED DISPLAY SOLUTIONS

Pictiva™ 96x64 display

OLED



OS096064PK12MY0AXX

Features:

- Graphics display matrix
- Single Color with 4-bit per pixel grayscale
- True emissive technology
- 160° viewing angle
- Passive matrix driven by an industry standard compatible IC
- Fast response, video frame rate capable
- High contrast
- Wide operating temperature range
- Thin profile

Specifications:

Display Format	96 Columns x 64 Rows
Pixel Pitch	0.265 mm Square
Pixel Size	0.235 mm Square
Color	Yellow x=0.455, y=0.540
Grayscale	4-bit
Active Area	25.4 (W) x 16.9 mm (H)
Module Size	35.5(W) x 31.8 (H) x 3.82 mm (T)
Luminance	100 cd/m ² typical
Lifetime	10,000 Hours @ 25°C
Viewing Angle	160°
Contrast Ratio	100:1 minimum
Temp Range	-30° to +70°C
Logic Voltage	2.4 - 3.5V
Supply Voltage	12 - 13V typical
Sleep Mode Power	0.05mW
Interface	Parallel/Serial
OLED Driver/w controller	0323
Packaging	COF (chip-on-flex)
Interconnect	ZIF (zero insertion force)
Weight	4.5g nom. (excluding bezel)

OSRAM Opto Semiconductors Inc.
3870 North First Street, San Jose, CA 95134, USA
Phone: +1.888.446.7726 ext.4310
Web: www.pictiva.com

