



Chipsmall Limited consists of a professional team with an average of over 10 year of expertise in the distribution of electronic components. Based in Hongkong, we have already established firm and mutual-benefit business relationships with customers from,Europe,America and south Asia,supplying obsolete and hard-to-find components to meet their specific needs.

With the principle of "Quality Parts,Customers Priority,Honest Operation,and Considerate Service",our business mainly focus on the distribution of electronic components. Line cards we deal with include Microchip,ALPS,ROHM,Xilinx,Pulse,ON,Everlight and Freescale. Main products comprise IC,Modules,Potentiometer,IC Socket,Relay,Connector.Our parts cover such applications as commercial,industrial, and automotives areas.

We are looking forward to setting up business relationship with you and hope to provide you with the best service and solution. Let us make a better world for our industry!



## Contact us

Tel: +86-755-8981 8866 Fax: +86-755-8427 6832

Email & Skype: info@chipsmall.com Web: www.chipsmall.com

Address: A1208, Overseas Decoration Building, #122 Zhenhua RD., Futian, Shenzhen, China



# OLED DISPLAY SOLUTIONS

# Pictiva™ 2.7-inch 128x64 OLED display



OS128064PK27MxxA00

### Features

- Long-lifetime OLED
- Industry standard size
- 180° viewing angle
- Fast response, video capable
- High contrast
- Wide operating temperature range
- Thin profile (3.4mm)
- RoHS compliant

### Benefits

- Ease of readability
- No backlight required
- Excellent presentation of graphic or text images
- Upgrade path from standard LCDs

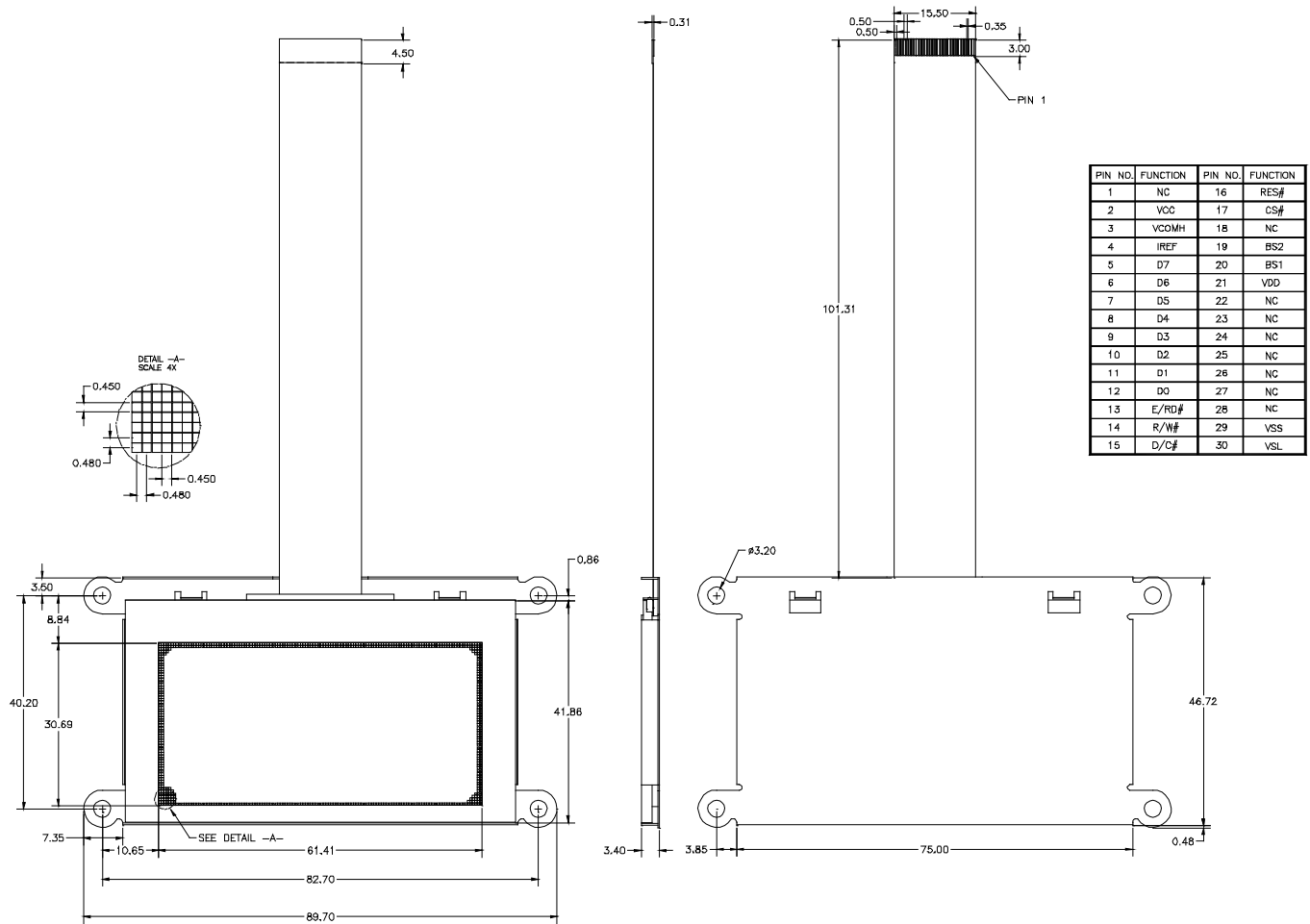
### Applications

- Audio
- Industrial
- Medical
- Instruments

### Specifications

Display Format	128 Columns x 64 Rows				
Diagonal	2.7 inch				
Pixel Pitch	0.48 (H) x 0.48 (W) mm				
Color, Luminance & Lifetime	Color	CIE x	CIE y	cd/m <sup>2</sup>	Lifetime hrs, 25°C
	Elegance Yellow	0.46	0.54	70	55K
	Spring Green	0.41	0.58	100	12K
	70			22K	
Grayscale	4 bit (16 gray levels)				
Active Area	61.4 (W) X 30.7 (H) mm				
Module Size	89.7 (W) X 46.7 (H) X 3.4(T) mm				
Viewing Angle	180°				
Contrast Ratio	2000:1 dark ambient				
Temperature	-30°C to +70°C				
Logic Voltage	2.4V - 3.5V				
Supply Voltage	15V typical				
Power Consumption	0.05 mW (sleep mode)				
Interface	Parallel / Serial, ZIF interconnect				
Driver	SSD0323				
Weight	23g typical				

# Mechanical Dimensions and Pin Description



## Ordering Information

Part Number	Order Number	Description
OS128064PK27MY0B00	Q65110A4433	Pictiva™ 2.7 inch 128x64 OLED Display, Elegance Yellow
OS128064PK27MG0B00	Q65110A4434	Pictiva™ 2.7 inch 128x64 OLED Display, Spring Green

## Contact Information

OSRAM Opto Semiconductors

Asia: +60(4) 631-8100 [prasia@osram-os.com](mailto:prasia@osram-os.com)

Europe: +49 (0)941-850-3535 [pr@osram-os.com](mailto:pr@osram-os.com)

North America: +1-888-446-7726 ext.4310 [info@osram-os.com](mailto:info@osram-os.com)

Web: [www.pictiva.com](http://www.pictiva.com)