



Chipsmall Limited consists of a professional team with an average of over 10 year of expertise in the distribution of electronic components. Based in Hongkong, we have already established firm and mutual-benefit business relationships with customers from,Europe,America and south Asia,supplying obsolete and hard-to-find components to meet their specific needs.

With the principle of “Quality Parts,Customers Priority,Honest Operation,and Considerate Service”,our business mainly focus on the distribution of electronic components. Line cards we deal with include Microchip,ALPS,ROHM,Xilinx,Pulse,ON,Everlight and Freescale. Main products comprise IC,Modules,Potentiometer,IC Socket,Relay,Connector.Our parts cover such applications as commercial,industrial, and automotives areas.

We are looking forward to setting up business relationship with you and hope to provide you with the best service and solution. Let us make a better world for our industry!



Contact us

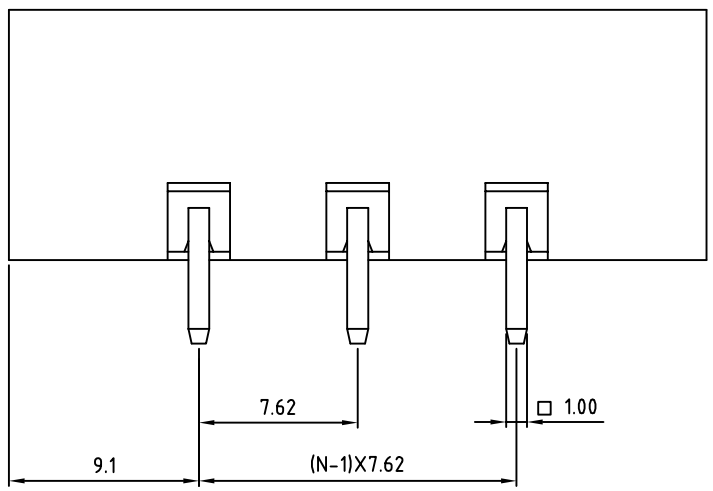
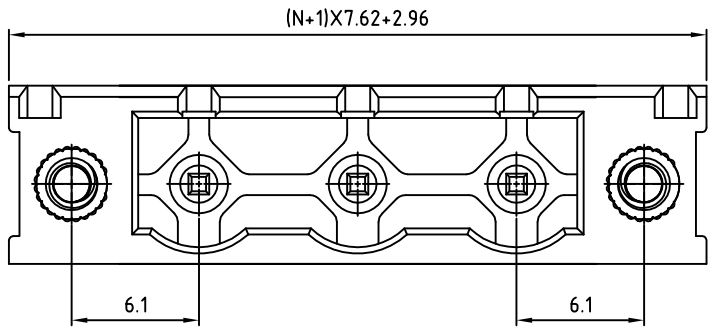
Tel: +86-755-8981 8866 Fax: +86-755-8427 6832

Email & Skype: info@chipsmall.com Web: www.chipsmall.com

Address: A1208, Overseas Decoration Building, #122 Zhenhua RD., Futian, Shenzhen, China

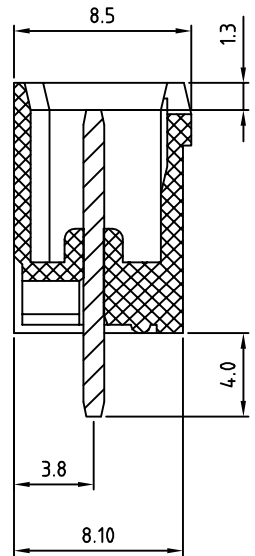
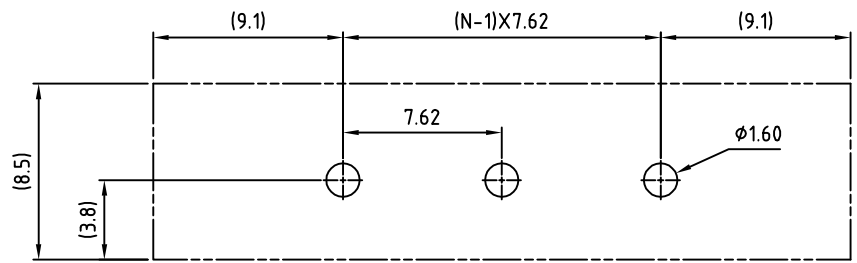


| | | | |
|------|------|--|----------|
| SIGN | DATE | DESCRIPTION | APPROVER |
| | | THIS IS CAD DRAWING, DO NOT REVISE MANUALLY!!! | |



N=Number of contacts

P.C.B LAYOUT



Material

- Terminal body
(contact pin): Brass(CuZn) Tin plated
- With flange nut: Brass M2.5
- Insulator (housing): Thermoplastic (UL94V-0)

Electrical cULus

- Voltage rating: 300VAC
- Current rating: 20A
- Withstanding Voltage: 1.6KV
- Operating temperature: -30°C to +105°C
- Soldering temperature: 250°C±10°C/5 Sec
- Safety Approval: cULus

RoHS Compliant

PART NUMBER:

OSTOQXX0550

No. of Poles
02: 2 Poles
:
16: 16 Poles

COLOR
0: Black
5: Green (Standard)
6: Blue
8: Grey



| | | | | | |
|-----------------------|----------------------|---|----------------------|--------------|---|
| TITLE | | OSTOQ 7.62mm series with flange vertical 2p-16p | | | |
| PART NO. | OSTOQXX0550 | DWG NO. | OSTOQXX0550.DWG | | |
| APPROVED | CHECKED | DESIGNED | DRAWN | CUST NO. | Tolerance |
| Shi Jun 2006.10.31 | Marvin 2006.10.31 | Marvin 2006.10.31 | Marvin 2006.10.31 | | X. ±0.50 X.X ±0.30 X.XX ±0.10 X° ±1° |
| | | | | SHEET: 01/01 | REV: D |

THESE DRAWINGS AND SPECIFICATIONS ARE THE PROPERTY OF ON-SHORE TECHNOLOGY, INC. AND SHALL NOT BE REPRODUCED, COPIED OR USED IN ANY MANNER WITHOUT THE PRIOR WRITTEN CONSENT OF ON-SHORE TECHNOLOGY, INC.