



Chipsmall Limited consists of a professional team with an average of over 10 year of expertise in the distribution of electronic components. Based in Hongkong, we have already established firm and mutual-benefit business relationships with customers from,Europe,America and south Asia,supplying obsolete and hard-to-find components to meet their specific needs.

With the principle of “Quality Parts,Customers Priority,Honest Operation,and Considerate Service”,our business mainly focus on the distribution of electronic components. Line cards we deal with include Microchip,ALPS,ROHM,Xilinx,Pulse,ON,Everlight and Freescale. Main products comprise IC,Modules,Potentiometer,IC Socket,Relay,Connector.Our parts cover such applications as commercial,industrial, and automotives areas.

We are looking forward to setting up business relationship with you and hope to provide you with the best service and solution. Let us make a better world for our industry!



## Contact us

Tel: +86-755-8981 8866 Fax: +86-755-8427 6832

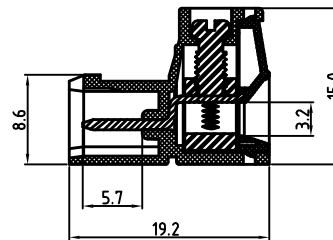
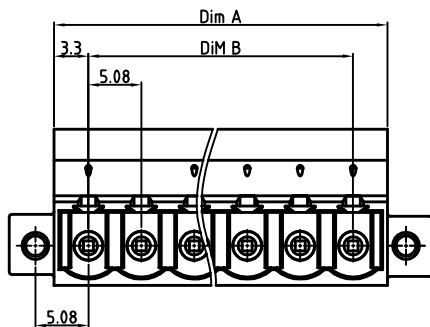
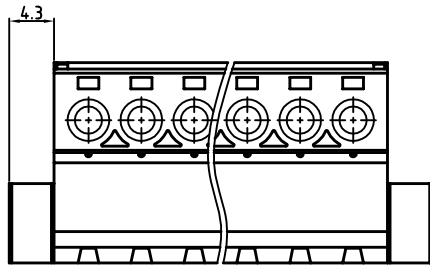
Email & Skype: info@chipsmall.com Web: www.chipsmall.com

Address: A1208, Overseas Decoration Building, #122 Zhenhua RD., Futian, Shenzhen, China



SIGN	DATE	DESCRIPTION	APPROVER

**THIS IS CAD DRAWING, DO NOT REVISE MANUALLY!!!**



**Material**

- Insulator (Body): Thermoplastic (UL94V-0)
- Insulator (Cover): Thermoplastic (UL94V-0)
- Terminal screw: Steel Zinc plating "-" slot type
- Terminal body: Brass (CuZn) Zinc plating
- Contact Pin: Brass, Tin plated
- Flange nut: Brass

**Electrical**

- Voltage rating: 300VAC
- Current rating: 20A
- Wire range:  
Solid wire (AWG): 12-22  
Stranded wire (AWG): 12-22
- Torque: 4Lb-In
- Screw: M3
- Wire strip length: 7-8mm
- Withstanding Voltage: 1.6KV
- Operating temperature: -40°C to +115°C

RoHS Compliant

**PART NUMBER:**

**OSTV8XX5151**

No. of Poles  
 02 2 Poles  
 03 3 Poles  
 ...  
 24 24 Poles

COLOR  
 0: Black  
 5: Green (Standard)  
 6: Blue  
 8: Grey

Poles	2	3	4	5	6	7	8	9	10	11	12	13
Dim A	11.66	16.74	21.82	26.90	31.98	37.06	42.14	47.22	52.30	57.38	62.46	67.54
Dim B	5.08	10.16	15.24	20.32	25.40	30.48	35.56	40.64	45.72	50.80	55.88	60.96
TOL	±0.15						±0.20					
Poles	14	15	16	17	18	19	20	21	22	23	24	
Dim A	72.62	77.70	82.78	87.86	92.94	98.02	103.10	108.18	113.26	118.34	123.42	
Dim B	66.04	71.12	76.20	81.28	86.36	91.44	96.52	101.60	106.68	111.76	116.84	
TOL	±0.30						0.4					



TITLE		OSTV8 5.08 Series With flange A									
PART NO.		OSTV8XX5151				DWG NO.		OSTV8XX5151.DWG			
APPROVED		CHECKED	DESIGNED	DRAWN		CUST NO.		Tolerance			
Seamus		Seamus	Seamus	Tason		UNIT: mm		X. ±0.50			
2008.10.17		2008.10.17	2008.10.17	2007.10.30		SCALE: NONE		X.X ±0.30			
SHEET: 01/01		REV: A		X.XX ±0.10		X° ±1°					