



Chipsmall Limited consists of a professional team with an average of over 10 year of expertise in the distribution of electronic components. Based in Hongkong, we have already established firm and mutual-benefit business relationships with customers from,Europe,America and south Asia,supplying obsolete and hard-to-find components to meet their specific needs.

With the principle of “Quality Parts,Customers Priority,Honest Operation,and Considerate Service”,our business mainly focus on the distribution of electronic components. Line cards we deal with include Microchip,ALPS,ROHM,Xilinx,Pulse,ON,Everlight and Freescale. Main products comprise IC,Modules,Potentiometer,IC Socket,Relay,Connector.Our parts cover such applications as commercial,industrial, and automotives areas.

We are looking forward to setting up business relationship with you and hope to provide you with the best service and solution. Let us make a better world for our industry!



## Contact us

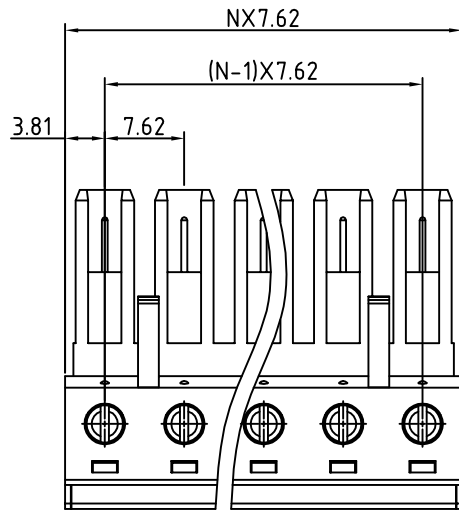
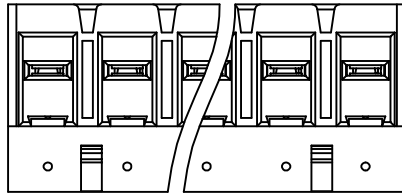
Tel: +86-755-8981 8866 Fax: +86-755-8427 6832

Email & Skype: info@chipsmall.com Web: www.chipsmall.com

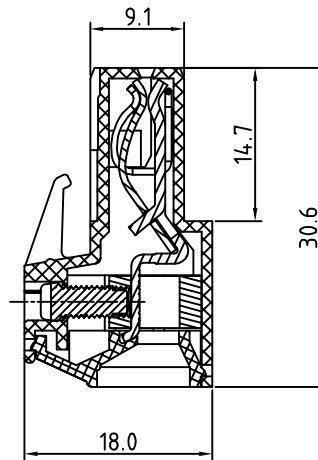
Address: A1208, Overseas Decoration Building, #122 Zhenhua RD., Futian, Shenzhen, China



SIGN	DATE	DESCRIPTION	APPROVER
THIS IS CAD DRAWING, DO NOT REVISE MANUALLY!!!			



N=Number of poles



**Material**

- Terminal body(Contact pin) : Brass(CuZn)
- Terminal screw: SteelZinc plating"-slot type
- Wire guard : PhBz(CuSn) ,tin plated
- Spring: Stainless steel
- Insulator (housing): Thermoplastic (UL94V-0)

**Electrical**

cULus

- Voltage rating: 300V
- Current rating: 20A
- Wire range:
  - Solid wire(AWG): 10-30
  - Stranded wire(AWG): 10-30
- Torque(Lb-In): 4.5
- Screw: M3
- Wire strip length: 7-8mm
- Withstanding Voltage: 1.6KV
- Operating temperature: -30°C to +105°C
- Safety Approval:

RoHS Compliant

PART NUMBER:

**OSTVBXX0150**

No. of Poles  
 02: 2 Poles  
 :  
 :  
 12: 12 Poles

COLOR  
 0: Black  
 5: Green (Standard)  
 6: Blue  
 8: Grey



TITLE		OSTVB-7.62mm Series 2p-12p			
PART NO.	OSTVBXX0150	DWG NO.	8VB0001		
APPROVED	CHECKED	DESIGNED	DRAWN	CUST NO.	Tolerance
Shi Jun 2006.10.25	Marvin 2006.10.25	Marvin 2006.10.25	Marvin 2006.10.25		X. ±0.50 X.X ±0.30 X.XX ±0.10 X° ±1°
				SHEET: 01/01	UNIT: mm SCALE: NONE REV.: D