



Chipsmall Limited consists of a professional team with an average of over 10 year of expertise in the distribution of electronic components. Based in Hongkong, we have already established firm and mutual-benefit business relationships with customers from,Europe,America and south Asia,supplying obsolete and hard-to-find components to meet their specific needs.

With the principle of “Quality Parts,Customers Priority,Honest Operation,and Considerate Service”,our business mainly focus on the distribution of electronic components. Line cards we deal with include Microchip,ALPS,ROHM,Xilinx,Pulse,ON,Everlight and Freescale. Main products comprise IC,Modules,Potentiometer,IC Socket,Relay,Connector.Our parts cover such applications as commercial,industrial, and automotives areas.

We are looking forward to setting up business relationship with you and hope to provide you with the best service and solution. Let us make a better world for our industry!



Contact us

Tel: +86-755-8981 8866 Fax: +86-755-8427 6832

Email & Skype: info@chipsmall.com Web: www.chipsmall.com

Address: A1208, Overseas Decoration Building, #122 Zhenhua RD., Futian, Shenzhen, China



SIGN	DATE	DESCRIPTION	APPROVER
		THIS IS CAD DRAWING, DO NOT REVISE MANUALLY!!!	

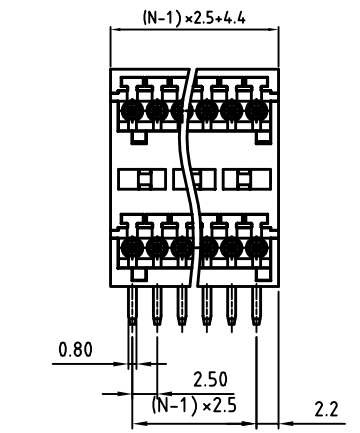
Material

- Terminal body (Contact pin): Brass with Tin plating
- Insulator (housing): Thermoplastic (UL94V-0)

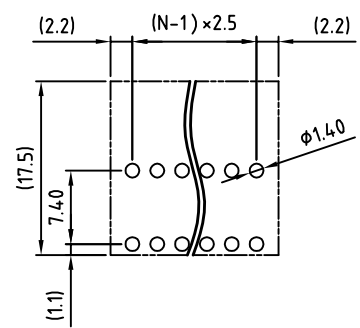
Electrical

- Voltage rating: 125V
- Current rating: 4A
- Withstanding Voltage: 1.25KV
- Operating temperature: -30°C to +105°C
- Soldering temperature: 245°C±10°C/5 Sec

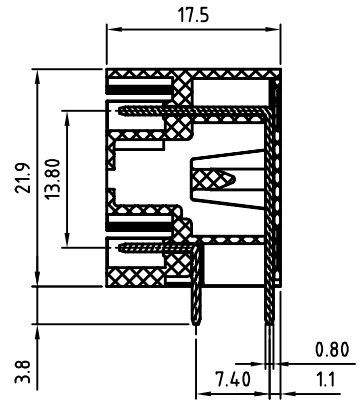
RoHS Compliant



N=Number of poles



P.C.B. LAYOUT



PART NUMBER:

OSTVLXXB151

No. of Poles

- 04: 2x02 Poles
- 06: 2x03 Poles
- : :
- 48 2x24 Poles

COLOR

- 0: Black
- 5: Green (Standard)
- 6: Blue
- 8: Grey

THESE DRAWINGS AND SPECIFICATIONS ARE THE PROPERTY OF ON-SHORE TECHNOLOGY, INC. AND SHALL NOT BE REPRODUCED, COPIED OR USED IN ANY MANNER WITHOUT THE PRIOR WRITTEN CONSENT OF ON-SHORE TECHNOLOGY, INC.



TITLE		OST VL 2.5 Series (2p~30P) 90°				
PART NO.		OSTVLXXB151		DWG NO.		OSTVLXXB151.DWG
APPROVED		CHECKED	DESIGNED	DRAWN	CUST NO.	
			Tason 2006.29.06	Tason 2006.29.06		
				SHEET: 01/01		Tolerance X. ±0.5 X.X ±0.3 X.XX ±0.1 X° ±1°
				UNIT: mm		SCALE: NONE
				REV.: C		