



Chipsmall Limited consists of a professional team with an average of over 10 year of expertise in the distribution of electronic components. Based in Hongkong, we have already established firm and mutual-benefit business relationships with customers from,Europe,America and south Asia,supplying obsolete and hard-to-find components to meet their specific needs.

With the principle of "Quality Parts,Customers Priority,Honest Operation,and Considerate Service",our business mainly focus on the distribution of electronic components. Line cards we deal with include Microchip,ALPS,ROHM,Xilinx,Pulse,ON,Everlight and Freescale. Main products comprise IC,Modules,Potentiometer,IC Socket,Relay,Connector.Our parts cover such applications as commercial,industrial, and automotives areas.

We are looking forward to setting up business relationship with you and hope to provide you with the best service and solution. Let us make a better world for our industry!



Contact us

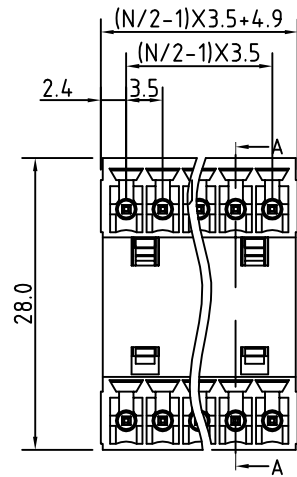
Tel: +86-755-8981 8866 Fax: +86-755-8427 6832

Email & Skype: info@chipsmall.com Web: www.chipsmall.com

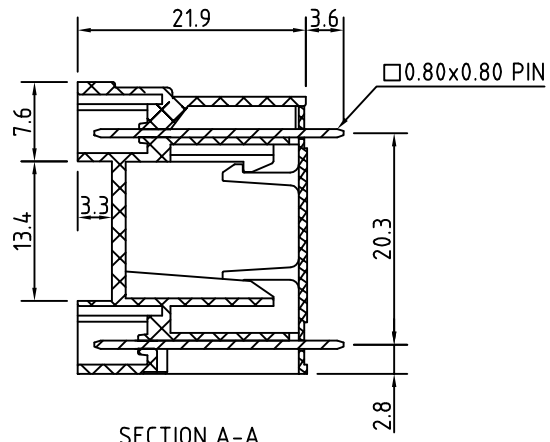
Address: A1208, Overseas Decoration Building, #122 Zhenhua RD., Futian, Shenzhen, China



SIGN	DATE	DESCRIPTION	APPROVER
△	10.23'06	Standard spec is changed.	Marvin
<i>THIS IS CAD DRAWING, DO NOT REVISE MANUALLY!!!</i>			



N=Number of poles



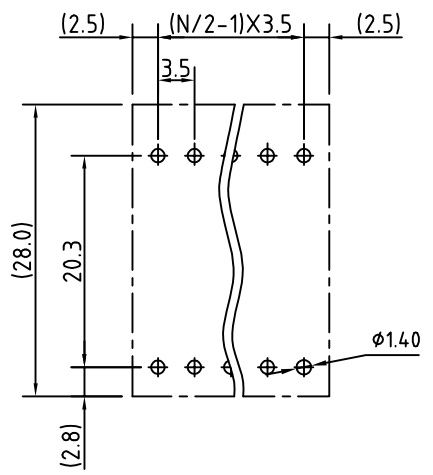
SECTION A-A

Material
 ● Terminal body (Contact pin): Brass Whit Tin plated
 ● Insulator (housing): Thermoplastic (UL94V-0)

Electrical cULus
 ● Voltage rating: 300VAC
 ● Current rating: 10A
 ● Withstanding Voltage: 1.6KV
 ● Operating temperature: -30°C to +105°C
 ● Soldering temperature: 250°C±10°C/5 Sec
 ● Safety Approval:

RoHS Compliant

P.C.B. LAYOUT



PART NUMBER:

OSTVLXX1150

No. of Poles →
 04: 2×02 Poles
 06: 2×03 Poles
 : :
 48 2×24 Poles

COLOR
 0: Black
 5: Green (Standard)
 6: Blue
 8: Grey



THESE DRAWINGS AND SPECIFICATIONS ARE THE PROPERTY OF ON-SHORE TECHNOLOGY, INC. AND SHALL NOT BE REPRODUCED, COPIED OR USED IN ANY MANNER WITHOUT THE PRIOR WRITTEN CONSENT OF ON-SHORE TECHNOLOGY, INC.

TITLE		OSTVL-3.5mm Series closed vertical 2×2p-2×24p			
PART NO.	OSTVLXX1150	DWG NO.	OSTVLXX1150.DWG		
APPROVED	CHECKED	DESIGNED	DRAWN	CUST NO.	Tolerance
Shi Jun 2006.10.23	Marvin 2006.10.23	Marvin 2006.10.23	Marvin 2006.10.23		X. ±0.50 X.X ±0.30 X.XX ±0.10 X° ±1°
				SHEET: 01/01	UNIT: mm SCALE: NONE REV.: D