



Chipsmall Limited consists of a professional team with an average of over 10 year of expertise in the distribution of electronic components. Based in Hongkong, we have already established firm and mutual-benefit business relationships with customers from,Europe,America and south Asia,supplying obsolete and hard-to-find components to meet their specific needs.

With the principle of "Quality Parts,Customers Priority,Honest Operation,and Considerate Service",our business mainly focus on the distribution of electronic components. Line cards we deal with include Microchip,ALPS,ROHM,Xilinx,Pulse,ON,Everlight and Freescale. Main products comprise IC,Modules,Potentiometer,IC Socket,Relay,Connector.Our parts cover such applications as commercial,industrial, and automotives areas.

We are looking forward to setting up business relationship with you and hope to provide you with the best service and solution. Let us make a better world for our industry!



Contact us

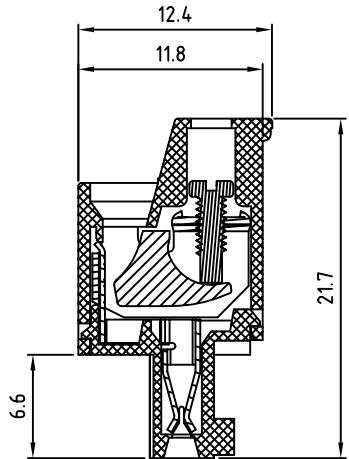
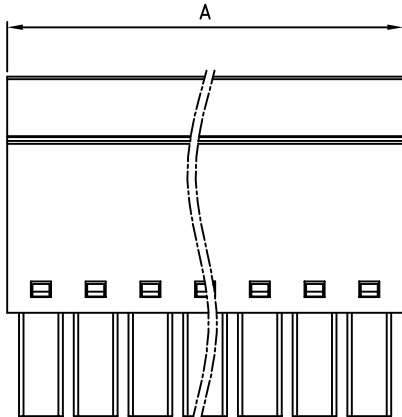
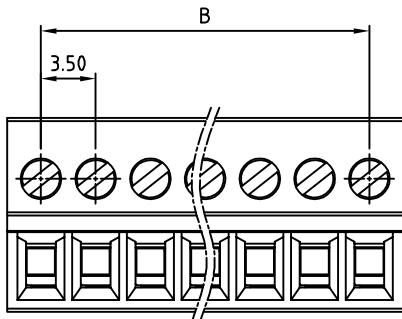
Tel: +86-755-8981 8866 Fax: +86-755-8427 6832

Email & Skype: info@chipsmall.com Web: www.chipsmall.com

Address: A1208, Overseas Decoration Building, #122 Zhenhua RD., Futian, Shenzhen, China



SIGN	DATE	DESCRIPTION	APPROVER
THIS IS CAD DRAWING, DO NOT REVISE MANUALLY!!!			



- Material:
- Insulator(housing): Thermoplastic (UL94V-0)
 - Metal housing: Steel
 - Terminal screw: Steel Zinc plating
 - Wire guard: PhBz(CuSn),Tin plated.

- Electrical: cULus
- Voltage rating: 300V
 - Current rating: 8A
 - Wire range:
 - Solid wire(AWG): 16-28
 - Stranded wire(AWG): 16-28
 - Torque: 1.7 Lb-In.
 - Screw: M2
 - Wire strip length: 6-7mm
 - Withstanding Voltage: 1.6KV
 - Operating temperature: -40°C to +115°C
- RoHS Compliant

PART NUMBER:

OSTVMXX1550

- | | |
|--------------|---------------------|
| No. of Poles | COLOR: |
| 07: 7 Poles | 0: Black |
| 08: 8 Poles | 5: Green (Standard) |
| | 6: Blue |
| 24: 24 Poles | 8: Grey |

THESE DRAWINGS AND SPECIFICATIONS ARE THE PROPERTY OF ON-SHORE TECHNOLOGY, INC. AND SHALL NOT BE REPRODUCED, COPIED OR USED IN ANY MANNER WITHOUT THE PRIOR WRITTEN CONSENT OF ON-SHORE TECHNOLOGY, INC.

POLE		2	3	4	5	6	7	8	9	10	11	12	
A		/	/	/	/	/	25.30	28.80	32.30	35.80	39.30	42.80	
B		/	/	/	/	/	21.00	24.50	28.00	31.50	35.00	38.50	
Tol.								±0.20					
POLE	13	14	15	16	17	18	19	20	21	22	23	24	
A	46.30	49.80	53.30	56.80	60.30	63.80	67.30	70.80	74.30	77.80	81.30	84.80	
B	42.00	45.50	49.00	52.50	56.00	59.50	63.00	66.50	70.00	73.50	77.00	80.50	
Tol.	±0.30						±0.40						

OST ON-SHORE TECHNOLOGY, INC.

TITLE		OSTVM 3.5mm W/O Flange Series (7P-24P)	
PART NO.	OSTVMXX1550	DWG NO.	OSTVMXX1550.DWG
APPROVED	CHECKED	DESIGNED	DRAWN
		Tony 2008.11.22	Tony 2008.11.22
		SHEET: 01/01	
		UNIT: mm SCALE: NONE REV: B	
		Tolerance X. ±0.50 X.X ±0.30 X.XX ±0.10 X° ±1°	